


Standard Features

- Turbine driven for irrigation or wastewater.
- Turbine and gearbox assembly no belts or pulleys.
- 4-Speed gearbox for high-speed light applications.
- PTO Wind-in.
- Automatic speed compensation.
- Digital Rainspeed 2.6 computer with solar panel.
- Pressure gauge
- Hydraulic Turntable
- Adjustable width galvanized cart.
- Automatic cart lifting.
- 12-foot heavy-duty rubber supply hose.
- Double axle
- Galvanized chassis, drum and frame.
- Hydraulically operated galvanized stabilizer legs.
- 360 degree rotation turntable.

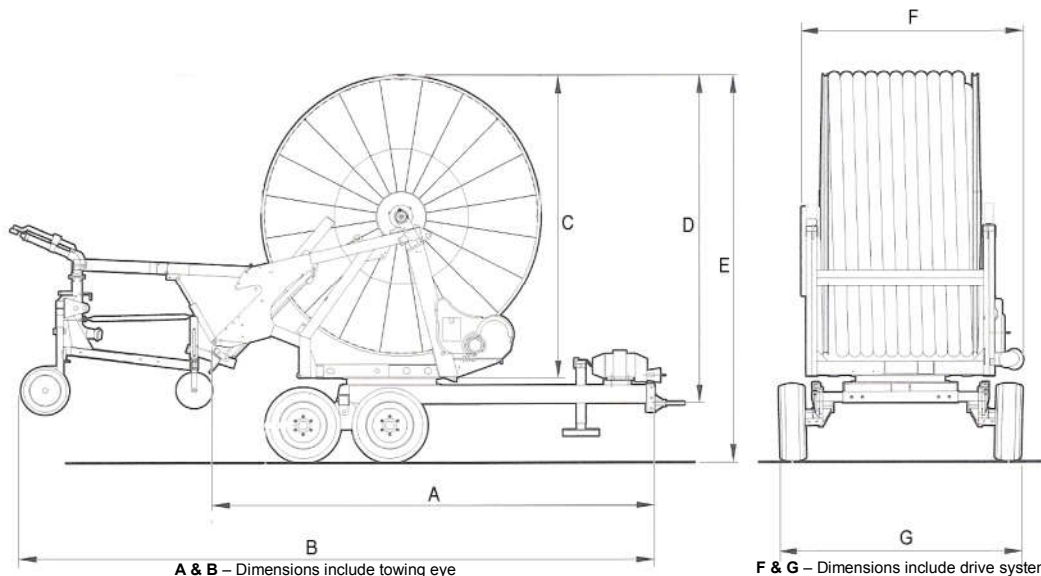
P.E. Pipe O.D.: 4.3" (110 mm)			P.E. Pipe I.D.: 3.7" (94 mm)				P.E. Pipe Length: 1476' (450 m)							
110 gx 1476							SPEED OF P.E. PIPE PULL IN METERS/HOUR							
							15	20	25	30	40	50	60	100
SPRINKLER: KOMET TWIN 160 ULTRA							SPEED OF P.E. PIPE PULL IN FEET/HOUR							
							50	65	80	100	130	165	195	325
INLET PRESSURE (PSI)	NOZZLE PRESSURE (PSI)	NOZZLE SIZE (MM)	WATER FLOW (GPM)	SPRAY RANGE (FEET)	SPACING (FEET) 85%	ACRES PER PULL	PRECIPITATION RATE IN INCHES							
75	50	26 (1.02)	215	150	300	11.0	1.4	1.0	0.8	0.7	0.5	0.4	0.3	0.2
97	60		235	168	300	11.1	1.5	1.1	0.9	0.7	0.6	0.4	0.4	0.2
120	70		254	173	300	11.1	1.6	1.2	1.0	0.8	0.6	0.5	0.4	0.2
94	50	28 (1.10)	248	156	300	11.0	1.6	1.3	1.0	0.8	0.6	0.5	0.4	0.3
115	60		272	172	300	11.1	1.8	1.4	1.1	0.9	0.7	0.5	0.4	0.3
129	70		294	181	300	11.2	1.9	1.5	1.2	0.9	0.7	0.6	0.5	0.3
107	50	30 (1.18)	285	160	300	11.1	2.0	1.5	1.2	1.0	0.8	0.6	0.5	0.3
126	60		312	177	330	12.3	1.9	1.5	1.2	0.9	0.7	0.6	0.5	0.3
139	70		337	189	330	12.4	2.0	1.6	1.3	1.0	0.8	0.6	0.5	0.3
117	50	32 (1.26)	326	164	330	12.2	2.1	1.6	1.3	1.0	0.8	0.6	0.5	0.3
135	60		357	182	330	12.3	2.2	1.7	1.4	1.1	0.9	0.7	0.6	0.3
158	70		386	196	330	12.4	2.4	1.9	1.5	1.2	0.9	0.7	0.6	0.4
129	50	35 (1.34)	365	168	330	12.2	2.4	1.9	1.5	1.2	0.9	0.7	0.6	0.4
157	60		400	189	360	13.5	2.2	1.7	1.4	1.1	0.8	0.7	0.6	0.4
ESTIMATED TIME FOR COMPLETE WINDING IN HOURS → → →							29.5	22.5	18.5	14.5	11.5	9.0	7.5	4.5

Performance data has been obtained under ideal test conditions and may be adversely affected by wind, poor inlet pressure conditions or other factors.

No representation regarding droplet condition, uniformity, application rate or suitability for a particular application is made herein.

Operating at lower or higher pressures than stated above may result in warranty being voided.

Acreage is based on 1-inch application, 15 hours a day, 7 days a week.



Dimensions

A	14'-0"
B	19'-6"
C	9'-5"
D	10'-3"
E	12'-0"
F	8'-0"
G	8'-6"

Empty Weight

8,500 lbs