

Standard Features

- Turbine driven for irrigation or wastewater.
- Turbine and gearbox assembly no belts or pulleys.
- 4-Speed gearbox for high-speed light applications.
- PTO Wind-in.
- Automatic speed compensation.
- Digital Rainstar 060 tachometer with solar panel.
- Pressure gauge
- Adjustable width galvanized cart.
- Automatic cart lifting.
- 12-foot heavy-duty rubber supply hose.
- Supply hose adapter (female bauer).
- Galvanized chassis, drum and frame.
- Hydraulically operated galvanized stabilizer legs.
- 360 degree rotation turntable.

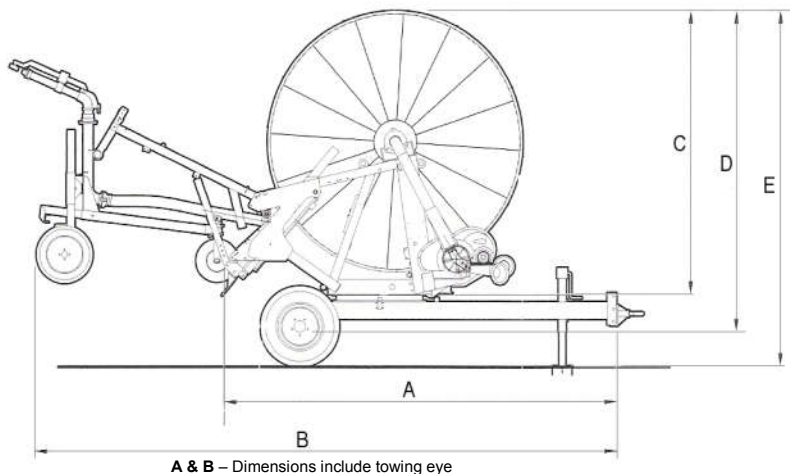
P.E. Pipe O.D.: 4.3" (110 mm)			P.E. Pipe I.D.: 3.7" (94 mm)				P.E. Pipe Length: 1210' (369 m)							
110 gx 1210							SPEED OF P.E. PIPE PULL IN METERS/HOUR							
							15	20	25	30	40	50	60	100
SPRINKLER: KOMET TWIN 160 ULTRA							SPEED OF P.E. PIPE PULL IN FEET/HOUR							
							50	65	80	100	130	165	195	325
INLET PRESSURE (PSI)	NOZZLE PRESSURE (PSI)	NOZZLE SIZE (MM)	WATER FLOW (GPM)	SPRAY RANGE (FEET)	SPACING (FEET) 85%	ACRES PER PULL	PRECIPITATION RATE IN INCHES							
81	60	24 (0.94)	199	157	300	9.2	1.4	1.0	0.8	0.7	0.5	0.4	0.3	0.2
92	70		215	165	300	9.3	1.5	1.1	0.9	0.7	0.6	0.4	0.4	0.2
109	80		230	170	300	9.3	1.6	1.2	1.0	0.8	0.6	0.5	0.4	0.2
105	60	28 (1.10)	272	172	300	9.3	1.6	1.3	1.0	0.8	0.6	0.5	0.4	0.3
120	70		294	181	300	9.4	1.8	1.4	1.1	0.9	0.7	0.5	0.4	0.3
133	80		314	189	300	9.4	1.9	1.5	1.2	0.9	0.7	0.6	0.5	0.3
113	60	30 (1.18)	312	177	300	9.4	2.0	1.5	1.2	1.0	0.8	0.6	0.5	0.3
129	70		337	189	330	10.3	1.9	1.5	1.2	0.9	0.7	0.6	0.5	0.3
145	80		360	197	330	10.4	2.0	1.6	1.3	1.0	0.8	0.6	0.5	0.3
127	60	32 (1.26)	357	182	330	10.3	2.1	1.6	1.3	1.0	0.8	0.6	0.5	0.3
145	70		386	196	330	10.4	2.2	1.7	1.4	1.1	0.9	0.7	0.6	0.3
162	80		412	205	330	10.5	2.4	1.9	1.5	1.2	0.9	0.7	0.6	0.4
142	60	35 (1.34)	400	189	330	10.4	2.4	1.9	1.5	1.2	0.9	0.7	0.6	0.4
156	70		433	203	360	11.4	2.2	1.7	1.4	1.1	0.8	0.7	0.6	0.4
ESTIMATED TIME FOR COMPLETE WINDING IN HOURS → → →							24	18.5	15.0	12.0	9.0	7.0	6.0	3.5

Performance data has been obtained under ideal test conditions and may be adversely affected by wind, poor inlet pressure conditions or other factors.

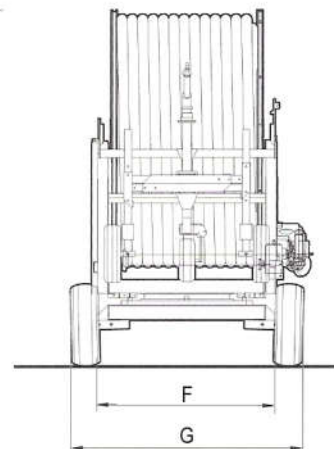
No representation regarding droplet condition, uniformity, application rate or suitability for a particular application is made herein.

Operating at lower or higher pressures than stated above may result in warranty being voided.

Acreage is based on 1-inch application, 15 hours a day, 7 days a week.



A & B – Dimensions include towing eye



F & G – Dimensions include drive system

Dimensions

A	13'-0"
B	17'-6"
C	9'-0"
D	10'-3"
E	11'-0"
F	7'-7"
G	8'-8"

Empty Weight

6,500 lbs