

Standard Features

- Turbine driven for irrigation or wastewater.
- Turbine and gearbox assembly no belts or pulleys.
- 4-Speed gearbox for high-speed light applications.
- PTO Wind-in.
- Automatic speed compensation.
- Digital Rainspeed 2.6 computer with solar panel.
- Pressure gauge .
- Automatic shut off valve
- Adjustable width galvanized cart.
- Automatic cart lifting.
- 12-foot heavy-duty rubber supply hose.
- Single axle
- Galvanized chassis, drum and frame.
- Hydraulically operated galvanized stabilizer legs.
- Hydraulic 360 degree rotation turntable.
- Hydraulic chassis jack and Axle.

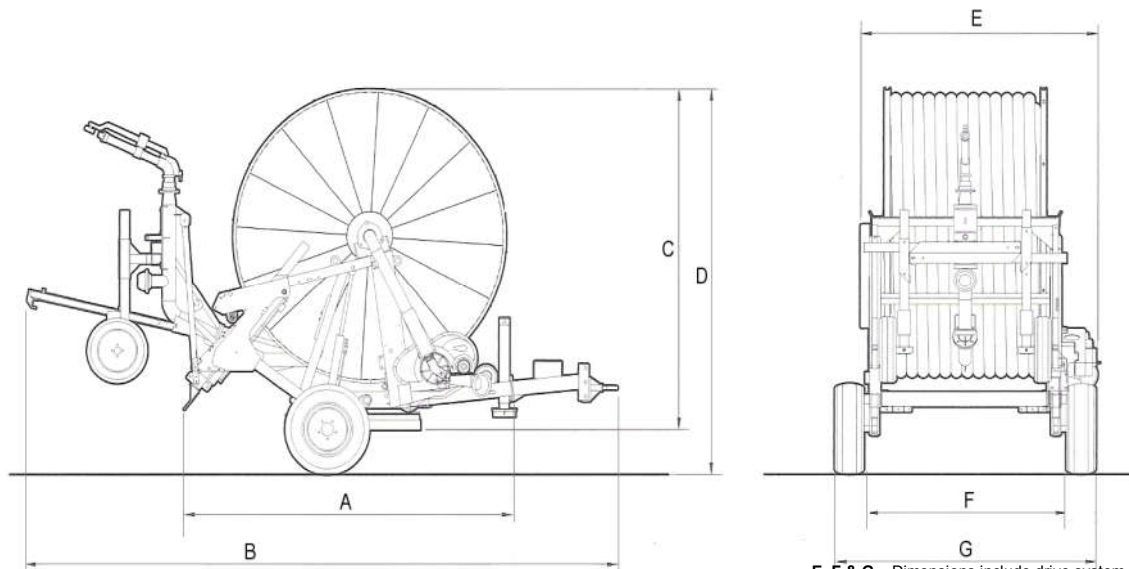
P.E. Pipe O.D.: 4.3" (110 mm)			P.E. Pipe I.D.: 3.7" (94 mm)				P.E. Pipe Length: 1312 (400 m)							
110 jx 1312			ABI irrigation				SPEED OF P.E. PIPE PULL IN METERS/HOUR							
							15	20	25	30	40	50	60	100
SPRINKLER: KOMET TWIN 160 ULTRA							SPEED OF P.E. PIPE PULL IN FEET/HOUR							
							50	65	80	100	130	165	195	325
INLET PRESSURE (PSI)	NOZZLE PRESSURE (PSI)	NOZZLE SIZE (MM)	WATER FLOW (GPM)	SPRAY RANGE (FEET)	SPACING (FEET) 85%	ACRES PER PULL	PRECIPITATION RATE IN INCHES							
72	50	26 (1.02)	215	150	300	9.9	1.4	1.0	0.8	0.7	0.5	0.4	0.3	0.2
94	60		235	168	300	10.0	1.5	1.1	0.9	0.7	0.6	0.4	0.4	0.2
115	70		254	173	300	10.0	1.6	1.2	1.0	0.8	0.6	0.5	0.4	0.2
94	50	28 (1.10)	248	156	300	10.0	1.6	1.3	1.0	0.8	0.6	0.5	0.4	0.3
110	60		272	172	300	10.0	1.8	1.4	1.1	0.9	0.7	0.5	0.4	0.3
125	70		294	181	300	10.1	1.9	1.5	1.2	0.9	0.7	0.6	0.5	0.3
101	50	30 (1.18)	285	160	300	10.0	2.0	1.5	1.2	1.0	0.8	0.6	0.5	0.3
117	60		312	177	330	11.0	1.9	1.5	1.2	0.9	0.7	0.6	0.5	0.3
132	70		337	189	330	11.1	2.0	1.6	1.3	1.0	0.8	0.6	0.5	0.3
112	50	32 (1.26)	326	164	330	11.0	2.1	1.6	1.3	1.0	0.8	0.6	0.5	0.3
128	60		357	182	330	11.1	2.2	1.7	1.4	1.1	0.9	0.7	0.6	0.3
149	70		386	196	330	11.2	2.4	1.9	1.5	1.2	0.9	0.7	0.6	0.4
122	50	35 (1.34)	365	168	330	11.0	2.4	1.9	1.5	1.2	0.9	0.7	0.6	0.4
145	60		400	189	360	12.1	2.2	1.7	1.4	1.1	0.8	0.7	0.6	0.4
163	70		433	203	360	12.2	2.6	2.0	1.6	1.3	1.0	0.8	0.7	0.4
ESTIMATED TIME FOR COMPLETE WINDING IN HOURS → → →							26.0	20.0	16.5	13.0	10.0	8.0	6.5	4.0

Performance data has been obtained under ideal test conditions and may be adversely affected by wind, poor inlet pressure conditions or other factors.

No representation regarding droplet condition, uniformity, application rate or suitability for a particular application is made herein.

Operating at lower or higher pressures than stated above may result in warranty being voided.

Acreage is based on 1-inch application, 15 hours a day, 7 days a week.



Dimensions

A	10'-0"
B	17'-10"
C	9'-6"
D	11'-0"
E	7'-6"
F	7'-10"
G	8'-6"

Empty Weight

7,000 lbs

E, F & G – Dimensions include drive system