

SERIES 540 GX



POS.	Page	Description	N.Pieces	Item Number	Notes
1	0	Chassis	1	5400012	
2	0	Terret Base	1	5400011	
3	0	Bearing / Turntable U01 L050	1	5400103	
4	0	Wheel 145-13	2	5400115	
5	0	Axle / Wheel 35-1050 4 lug	1	5400102	
6	0	Bracket / Wheel Axle M10	2	5400113	
7	0	Tool / PTO	1	5400053	
8	0	Plate / Turntable Locking	1	5400024	
9	0	Pin / Turntable Locking	1	5400048	
10	0	Bearing 6202 2RS	1	4011110	
11	0	Nut / Control M14x1,5	2	4010131	
12	0	Bearing 6302 2RS	1	5400104	
13	0	Cover / Turbine mod.540	1	5400007	
14	0	Key 4x4x15	1	4010130	
15	0	Shaft / Turbine	1	4010004	
16	0	Ring A14 UNI 7433-75	1	4010129	
17	0	O-Ring 2125	1	4010127	
18	0	Spacer / Sealing	1	4010006	
19	0	Seal / Mechanical BT-PNT 15 BV	1	4010125	
20	0	Impeller / Turbine	1	4010003	
21	0	Washer	1	2000107	
22	0	Nut / Lock S.S. M8	1	4010103	
23	0	Spacer / Turbine 540	1	5400009	
24	0	O-Ring 3625	1	4010126	
25	0	Bolt TCEI M6x30	1	4010132	
26	0	Bolt TCEI M6x65	5	4010137	
27	0	Nut M6	5	4010117	
28	0	Body / Turbine	1	4011001	
29	0	Nozzle K1 (Ø 12)	1	4010135	
30	0	Gasket / Rubber	1	4010019	
31	0	Nut M5 S.S.	1	2000207	
32	0	Bolt TE M5x15	1	4010104	
33	0	Flapper / By-Pass Valve	1	4010017	
34	0	Shaft / By-Pass Valve	1	4010020	
35	0	O-Ring 108	2	5800213	
36	0	Lever / By-Pass Command	1	4010021	
37	0	Screw / Set M5x8	1	4010113	
38	0	Bolt TE M8x20	4	4010136	
39	0	Knob / Threaded M6	1	2000105	
40	0	Guage / Pressure 1/8	1	3000110	
41	0	Lever / By-Pass	1	5400029	
42	0	Elbow / Turbine	1	5400031	
43	0	Clamp Gold 58-63	2	5400126	
44	0	Plug GJ 1/4" M	1	5800208	
45	0	Jack / Chassis	1	5400051	
46	0	Knob / Threaded M10	1	5800102	
47	0	Pad / Brake	2	5400021	

SERIES 540 GX



POS.	Page	Description	N.Pieces	Item Number	Notes
48	0	Cone / Turbine Inlet	1	5400042	
49	0	Coupler / Turbine Inlet 1-1/4"MNPT x 2"FLC	1	5400043	
50	0	Ring / Rubber 2"	2	5400110	
51	0	Coupler / 2"MLC x 2" Hosetail	2	5400120	
52	0	Hose / Rubber 2"	1	5400116	4 meters
53	0	Coupler / 2"FLC Black	1	5400109	gr
54	0	Support / Brake Pad	1	5400023	f.54040
55	0	Shaft / PTO-Brake Rotor	1	5400022	
56	0	Gearbox Comer D 741 A	1	5400101	v.pag.20
57	0	Bearing 6200 2RS	1	5400121	op
58	0	Belt / Poly	1	5400122	op
59	0	Magnet / Timing	1	5400044	op
60	0	Pulley / Turbine	1	5400019	
61	0	Belt / Drive	1	5400020	
62	0	Pulley / Gearbox	1	5400018	
63	0	Rollpin Ø 6	1	5800205	
64	0	Lever / Gearbox Ingaging	1	5400030	
65	0	Tachometer VDO Sprint	1	5800501	op
66	0	Support / Tachometer	1	5400032	op
67	0	Sprocket 8T M7	1	5400006	
68	0	Cover / Drive ABS	1	5400041	
69	0	Hinge	1	5400117	
70	0	Link / Master 3/8" S	1	4000102	
71	0	Cover / Primary Chain ABS	1	5400040	
72	0	Chain 3/8" S	1	4000101	1.8 meters
73	0	Sprocket 3/8" S 19T	1	4000010	Ø PE 50
		Sprocket 3/8" S 24T	1	5400010	Ø PE 63
74	0	Bearing UCP 206	1	5800118	
75	0	Hose / PET PE Ø 50	1	TUBOPEBD50	170m - 220m
		Hose / PET PE Ø 63	1	TUBPOL635	180 meters
76	0	Clamp Gold 63-68	4	5500122	Ø PE 63
		Clamp Gold 50-54	4	5010102	Ø PE 50
77	0	Reel / Complete w/Gear	1	5400002	
78	0	Guard / Gear	1	5400045	
79	0	O-Ring 2175	1	5400125	
80	0	Bushing S.S. Ø 46x50	1	5400046	
81	0	Support / Turning Joint	1	5400003	
82	0	Bearing 6210 RS1	1	5400112	
83	0	Circlip E50	1	7000109	
84	0	Ring / Sealing UM 50x70x10	1	5400114	
85	0	O-Ring 4300 for bearing support	1	5400111	
86	0	Elbow / Inlet	1	5400026	
87	0	Hose / Rubber 2"x24"	1	5400116	.31 meters
88	0	Pawl / Anti-Return	1	5400047	
89	0	Fork / Hoseguide	1	5400037	
90	0	Cursor	1	4000019	
91	0	Finger / Cursor 400	1	4000018	

SERIES 540 GX

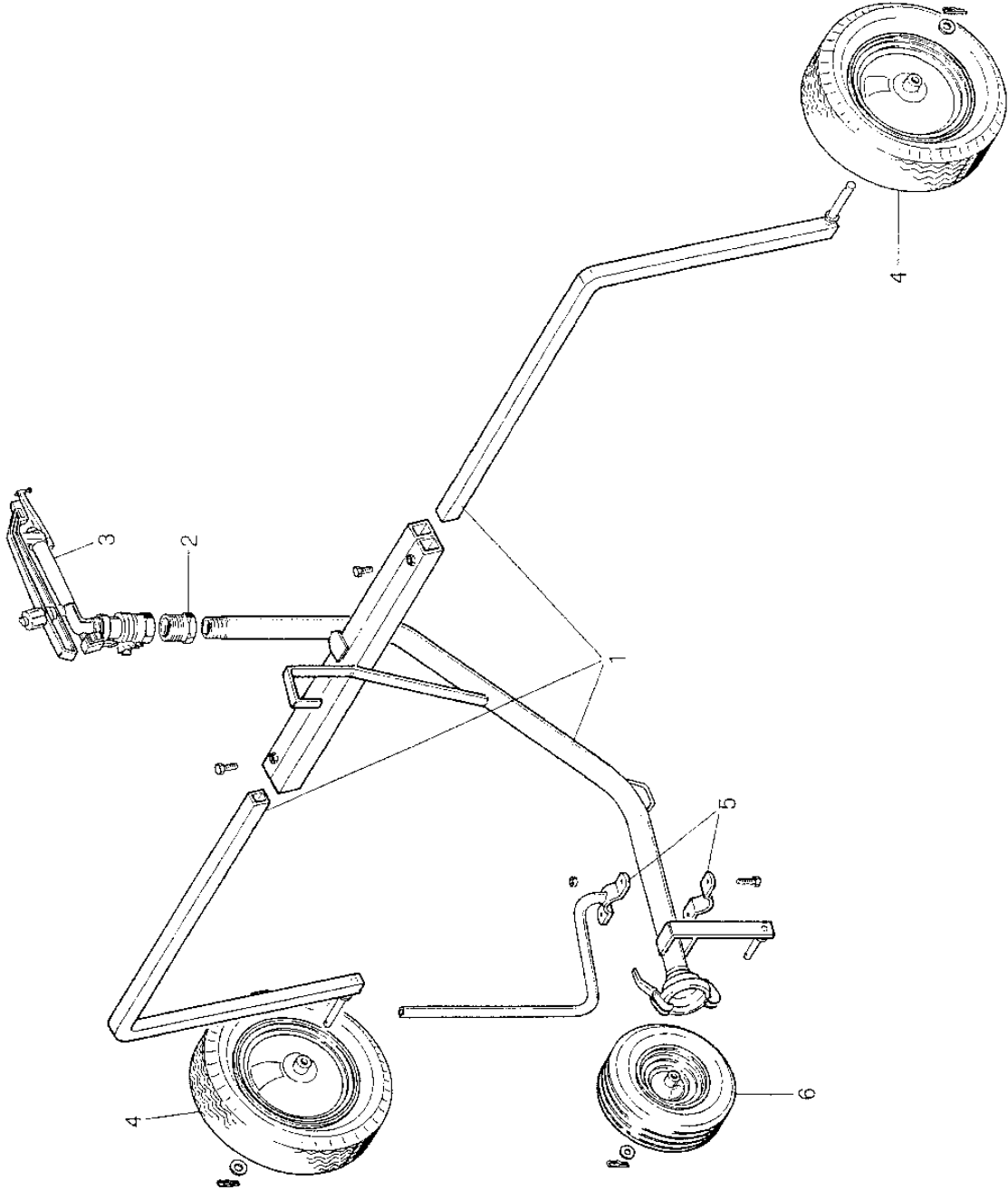


POS.	Page	Description	N.Pieces	Item Number	Notes
92	0	Circlip I30	1	4000113	
93	0	Zirk / Grease M8	2	INGRSM8	
94	0	Sprocket 3/8" S 19T	1	4000010	
95	0	Tensioner / Primary Chain	1	4000006	
96	0	Zirk / Grease M6	1	5800112	
97	0	Bar / Levelguide	1	5400005	
98	0	Connector / PET Hose-Trolley	1	5400052	
99	0	Jack / Lifting Frame	1	5400035	
100	0	Bar / Overwind	1	5400025	
101	0	Spring / Overwind Bar	1	3000017	
102	0	Chassis / Lifting Frame	1	5400033	
103	0	Frame / Lifting	1	5400034	
104	0	Rod / By-Pass Compensation	1	5400039	
105	0	Stop / By-Pass Adjustable	1	5800058	f.54040
106	0	Rod / Gearbox Ingaging	1	5400038+5400008	
107	0	Stop / By-Pass	1	5800030	
108	0	Grip / Handle 25x10	1	5800109	
109	0	Leg / Stabilizer	2	5400028	
110	0	R-Clip Ø 3	2	COOP03AMA	
111	0	Pin / Stabilizer Leg Traveling	2	5800042	

SERIES 540 GX



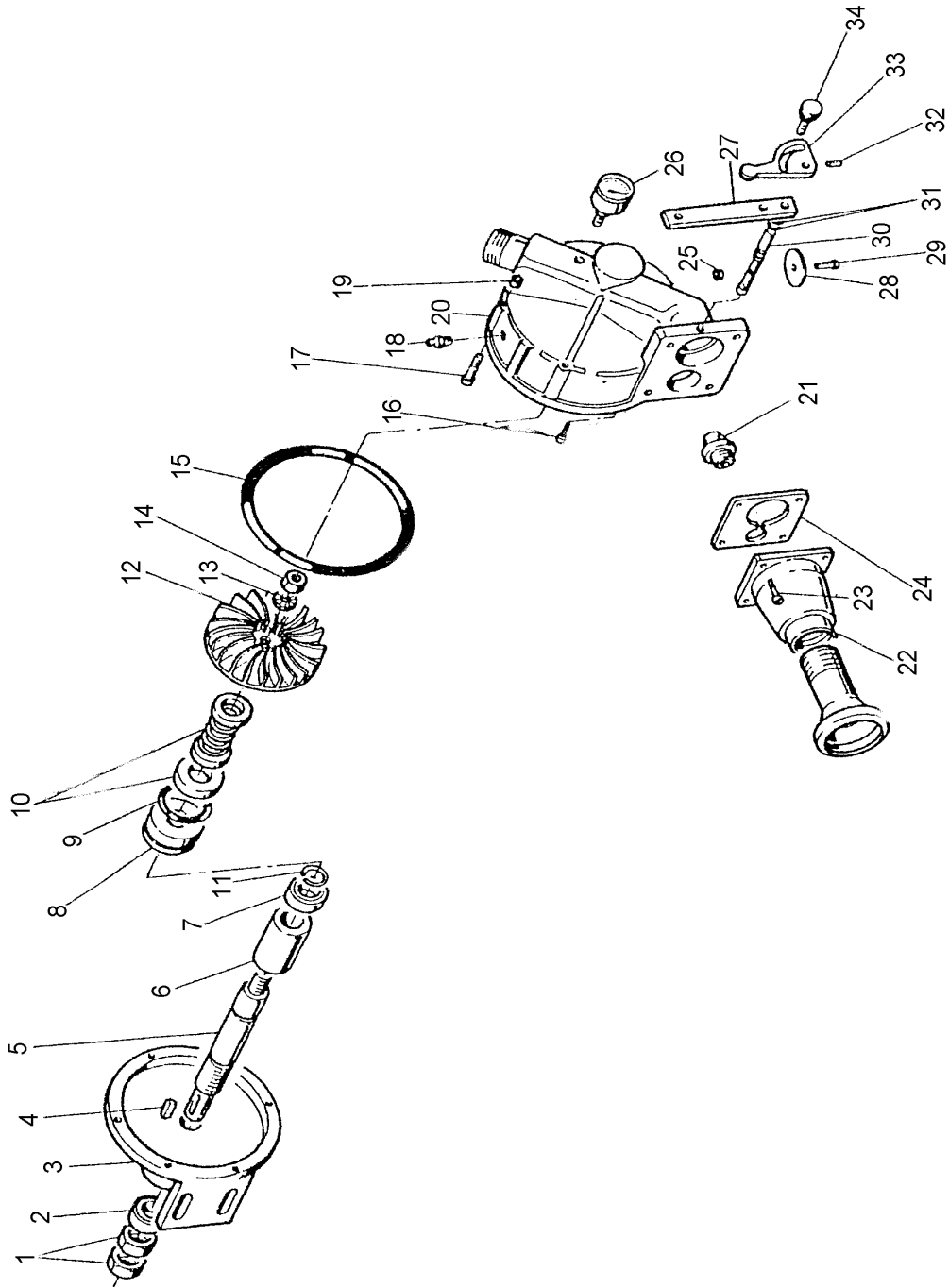
POS.	Page	Description	N.Pieces	Item Number	Notes
10					
11					
12					
13					
14					
15					
16					
17					
18					
19					
20					
21					
22					
23					
24	0	Turbine complete T1 - 540	1	RMTUR540	v.pag.T1
25					
26					
27					
28					
29					
30					
31					
32					
33					
34					
35					
36					
37					
38					



SERIES 540 GX TROLLEY



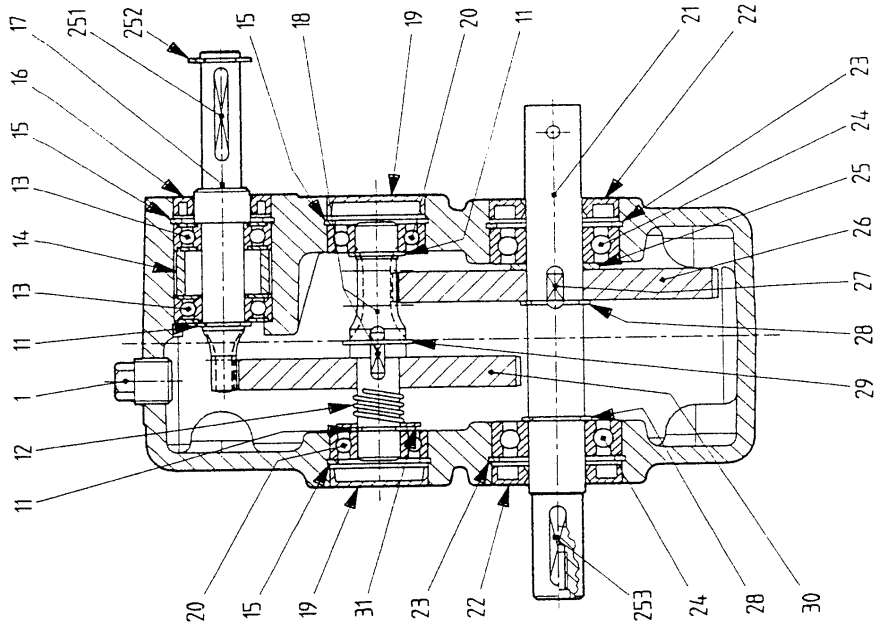
POS.	Page	Description	N.Pieces	Item Number	Notes
1	33	Trolley Body and Legs	1	5400036	
2	33	Bushing 2" M - 1"1/2 F	1	5400119	Ø PE 63
3	33	Gun	1	GETSIMEHIDRA	Ø PE 50
		Gun Komet 101	1	ABI 268	Ø PE 63
4	33	Wheel 4.8/4.00 -.8 ply	2	4000104	
5	33	Nose	1	5400050	
6	33	Wheel 13x5.00 - 6 ply	1	5400118	
1		\			
4	33	\ Trolley Complete mod.540	1	CARR540	
5		/			
6		/			



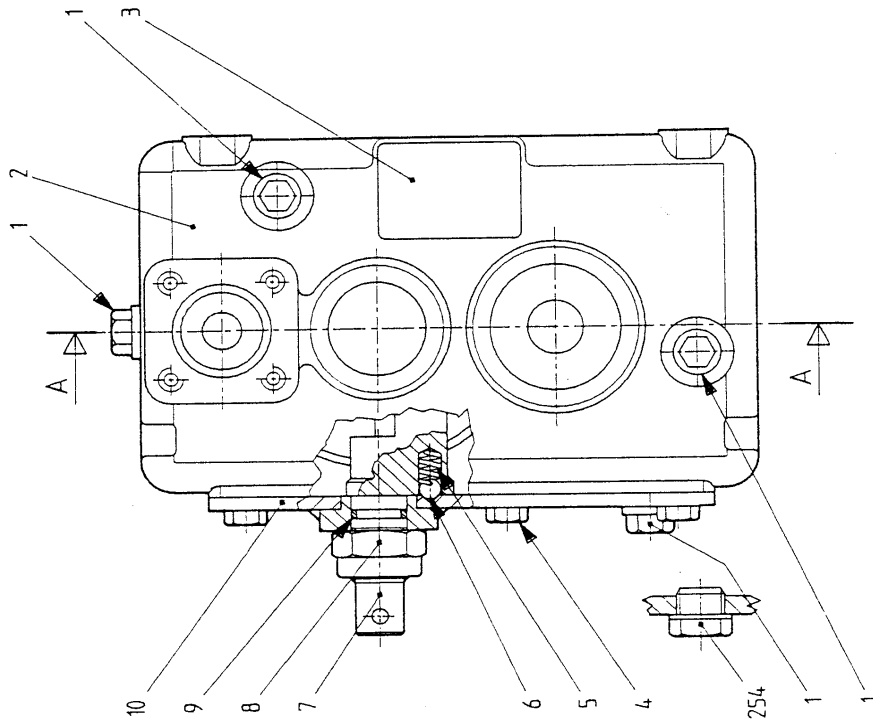
TURBINE T1-540



POS.	Page	Description	N.Pieces	Item Number	Notes
1	T1	Control Nut M14x1.5	2	4010131	
2	T1	Bearing 6302-2RS	1	5400104	
3	T1	Turbine Flange model 540	1	5400007	
4	T1	Key 4x4x15	1	4010130	
5	T1	Turbine Shaft	1	4010004	
6	T1	Turbine Spacer model 540	1	5400009	
7	T1	Bearing 6202-2RS	1	4011110	
8	T1	Sealing Spacer	1	4010006	
9	T1	O-Ring 2125	1	4010127	
10	T1	Mechanical Seal BT-PNT 15 BV	1	4010125	
11	T1	Ring A14 UNI 7433-75	1	4010129	
12	T1	Impeller	1	4010003	
13	T1	Washer	1	2000107	
14	T1	Nut/Nylock S.S. M8	1	4010103	
15	T1	O-Ring 3625	1	4010126	
16	T1	Bolt TCEI M6x30	1	4010132	
17	T1	Bolt TCEI M6x65	5	4010137	
18	T1	Plug 1/4"	1	5800208	
19	T1	Nut M6	5	4010117	
20	T1	Turbine Body	1	4011001	
21	T1	Nozzle K1 (12mm)	1	4010135	
22	T1	Inlet Cone	1	5400042	
23	T1	Bolt TE M8x20	4	4010136	
24	T1	Rubber Gasket	1	4010019	
25	T1	Nut M5 S.S.	1	2000207	
26	T1	Pressure Guage 1/8"	1	3000110	
27	T1	By-Pass Lever	1	5400029	
28	T1	Flapper	1	4010017	
29	T1	Bolt TE M5x15	1	4010104	
30	T1	By-Pass Valve Shaft	1	4010020	
31	T1	O-Ring 108	2	5800213	
32	T1	Set Screw M5x8	1	4010113	
33	T1	Command Lever	1	4010021	
34	T1	Threaded Knob M6	1	2000105	



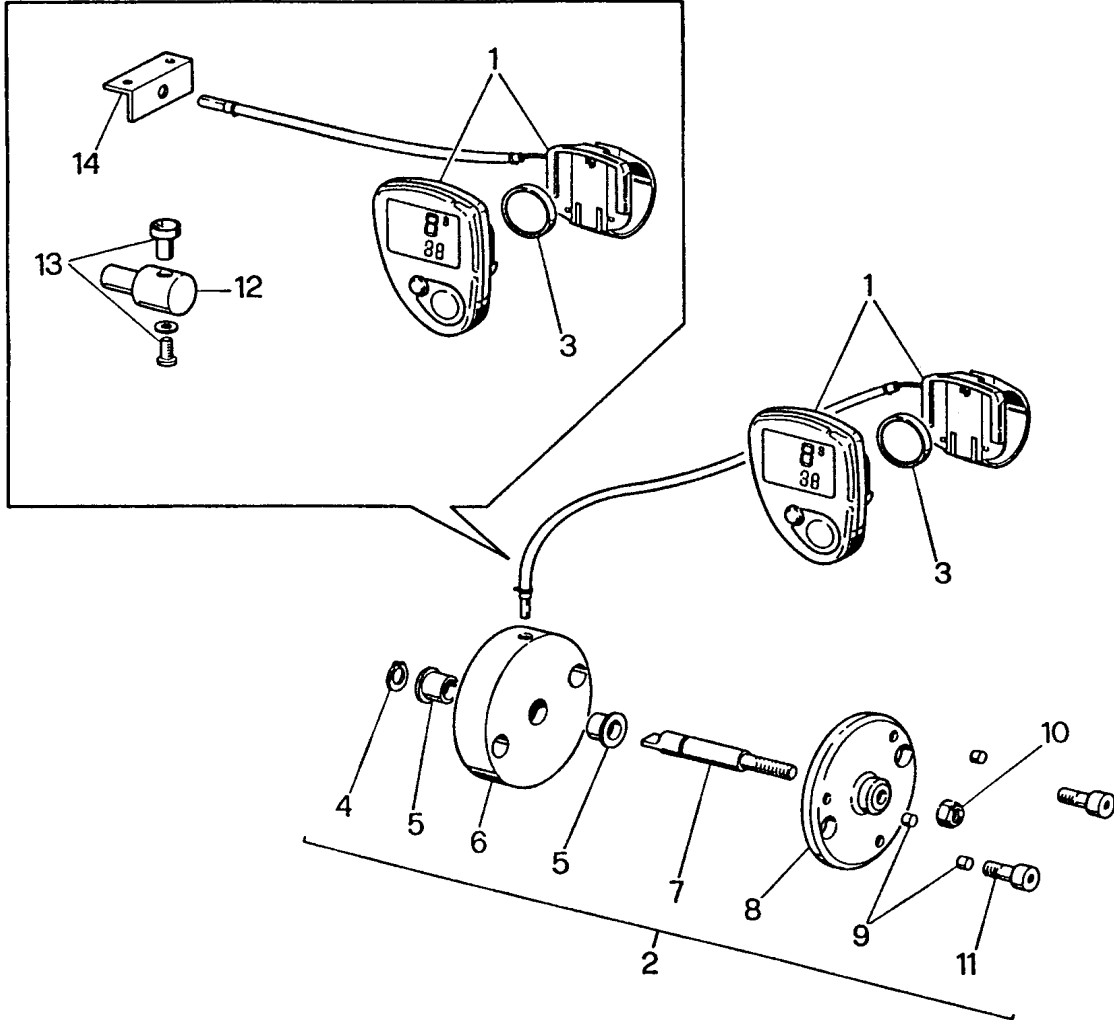
SEZ. A - A



GEARBOX D-741A (9.741.000.10)



POS.	Page	Description	N.Pieces	Item Number	Notes
1	20	Plug 3/8" Gas	4	8.6.5.00006	
2	20	Casing	1	0.741.0300.00	
3	20	Serial Plate	1	0.124.7101.00	
4	20	Bolt M8x18 (8.8)	6	8.1.1.01676	
5	20	Spring	1	0.721.7101.00	
6	20	Ball 5/16" (7.9 mm)	1	8.5.9.00166	
7	20	Lever	1	0.741.7000.00	
8	20	Locking Nut 20x1,5H17	1	8.2.6.00740	
9	20	O-Ring 3062	1	8.7.6.00191	
10	20	Cover	1	2.741.1301.00	
11	20	Circlip E15 UNI7435	3	8.5.1.00286	
12	20	Spring	1	0.741.7102.00	
13	20	Bearing 6202-2RS	2	8.0.1.01303	
14	20	Sleeve	1	0.741.7101.00	
15	20	Ring	3	8.5.2.01265	
16	20	Oil Seal 20x35x7	1	8.7.3.01744	
17	20	Pinion Shaft Z=9,M.75	1	0.741.5000.00	
18	20	Shaft with Key	1	2.741.5002.00	
19	20	Oil Plug 35x7	2	8.7.0.01253	
20	20	Bearing 6202	2	8.0.1.01160	
21	20	Shaft	1	0.741.3100.00	
22	20	Oil Seal 20x47x7	2	8.7.3.01395	
23	20	Circlip I47 UNI743	2	8.5.2.01290	
24	20	Bearing 6204	2	8.0.1.00405	
25	20	Spacer 20.3x2.5	1	0.104.7525.00	
26	20	Crown Gear Z=116,M1	1	0.741.6001.00	
27	20	Key 6x6x10	1	8.4.1.01743	
28	20	Circlip E20 UNI7435	2	8.5.1.00261	
29	20	Ring	1	8.5.3.01814	
30	20	Crown Gear Z=136,M.75	1	0.741.6000.00	
31	20	Spacer 16.2x1.5	1	0.782.7515.00	
251	20	Key 5x5x35	1	8.4.1.01585	
252	20	Circlip E14 UNI7435	1	8.5.1.00886	
253	20	Key 6x6x30	1	8.4.1.00251	
254	20	Oil Level Sight Glass SLC38	1	8.6.4.00673	



TACHOMETER VDO EURO/SPRINT



POS.	Page	Description	N.Pieces	Item Number	Notes
1	22	Tachometer VDO Euro/Sprint	1	5800501	
2	22	Velocity Sensor Complete	1	5800508	
3	22	Battery	1	5800504	
4	22	Circlip E8	1	5800503	
5	22	Bushing	2	5800502	
6	22	Sensor Support	1	5800052	
7	22	Velocity Sensor Shaft	1	5800054	
8	22	Magnet Support	1	5800053	
9	22	Magnet	3	5800505	
10	22	Nut/Nylock M5	1	5800211	
11	22	Bolt TCEI M5x12	2		
12	22	Single Magnet Support	1	8900034	
13	22	Magnet VDO	1		
14	22	Bracket	1	8900105	
1		\\			
2	22	Tachometer Complete (Euro)	1	TACHVDOEURO	
3		/			
		/			
1		\\			
3		\\			
12	22	Tachometer Complete (Sprint)	1	TACHVDOSPRINT	
13		/			
14		/			