

SERIES 600 JX



POS.	Page	Description	N.Pieces	Item Number	Notes
1	5	Terret Base 600 G/J	1	6000003	f.60061jx
		Terret Base 600 G/J	1	6001003	d.60062jx
2	5	Bolt TE M20x120 + Lock Nut M20	2	6000110	
3	5	Hydraulic Cylinder	2	6000007	f.60015jx-op
		Hydraulic Cylinder	2	6000033	d.60016jx
4	5	Hydraulic Leg	2	6000032	
5	5	Left Mechanical Leg	1	6000013	f.600102jx
		Right Mechanical Leg	1	6000012	f.600102jx
6	5	Pin	2	5800043	
7	5	Lower Roller Pin	1	5900007	
8	5	Lower Roller PVC	1	6000043	
9	5	Hoseguide Fork s.600	1	6000011	
10	5	Lifting Frame 600 JX	1	6000018	
11	5	Upper Roller Pin	1	5900007	
12	5	Upper Roller PVC	1	7000059	rif.600
13	5	Command Rod	1	6000010	
14	5	Master Link 1/2"	1	5800120	
15	5	Chain 1/2" S	1	5800119	3.2 meters
16	5	Sprocket 1/2" S	2	5500037	z...
17	5	Rear Primary Chain Cover	2	5700028	
18	5	Bearing UCP 206	2	5800118	
		Bearing UCPA 206	2	6000104	
19	5	Primary Chain Cover	1	7000037	
20	5	Overwind Bar s.600	1	6000020	
21	5	Circlip I 35	1	5800144	
22	5	Cursor Finger Ø 35	1	5800050	
23	5	Cursor	1	5800006	f.600102jx
		Cursor senza aletta	1	5801006	d.600103jx
24	5	Grease Zirk M6	2	5800112	
25	5	Spring	1	5700013	
26	5	Level Guide Bar	1	5900005	
27	5	Key 8x7x35	2		
28	5	Shut-Off Cable	1	5500041	rif.600
29	5	Stop	1	5800058	
30	5	By-Pass Rod	1	6000025	
31	5	Barbed Coupler	1	5500033	Ø PE
32	5	Clamp PE Ø 82 (79-86)	4	5700103	
		Clamp PE Ø 90 (86-95)	4	5800137	
		Clamp PE Ø 100 (95-105)	4	5900102	
		Clamp PE Ø 110 (104-115)	4	5800114	
		Clamp PE Ø 120 (115-130)	4	8000120	
33	5	PET Hose	1	TUBPOL...	Ø PE - ml
34	5	Reel Complete	1	6000002	c.35-f.600102jx
		Reel complete version 2001	1	6001002	c.35-d.600103jx
35	5	Drive Gear	13	6000001	gr
36	5	Bearing UCP 208	1	5800111	
37	5	Drive Gear Protection (kit)	1	6000023	

SERIES 600 JX

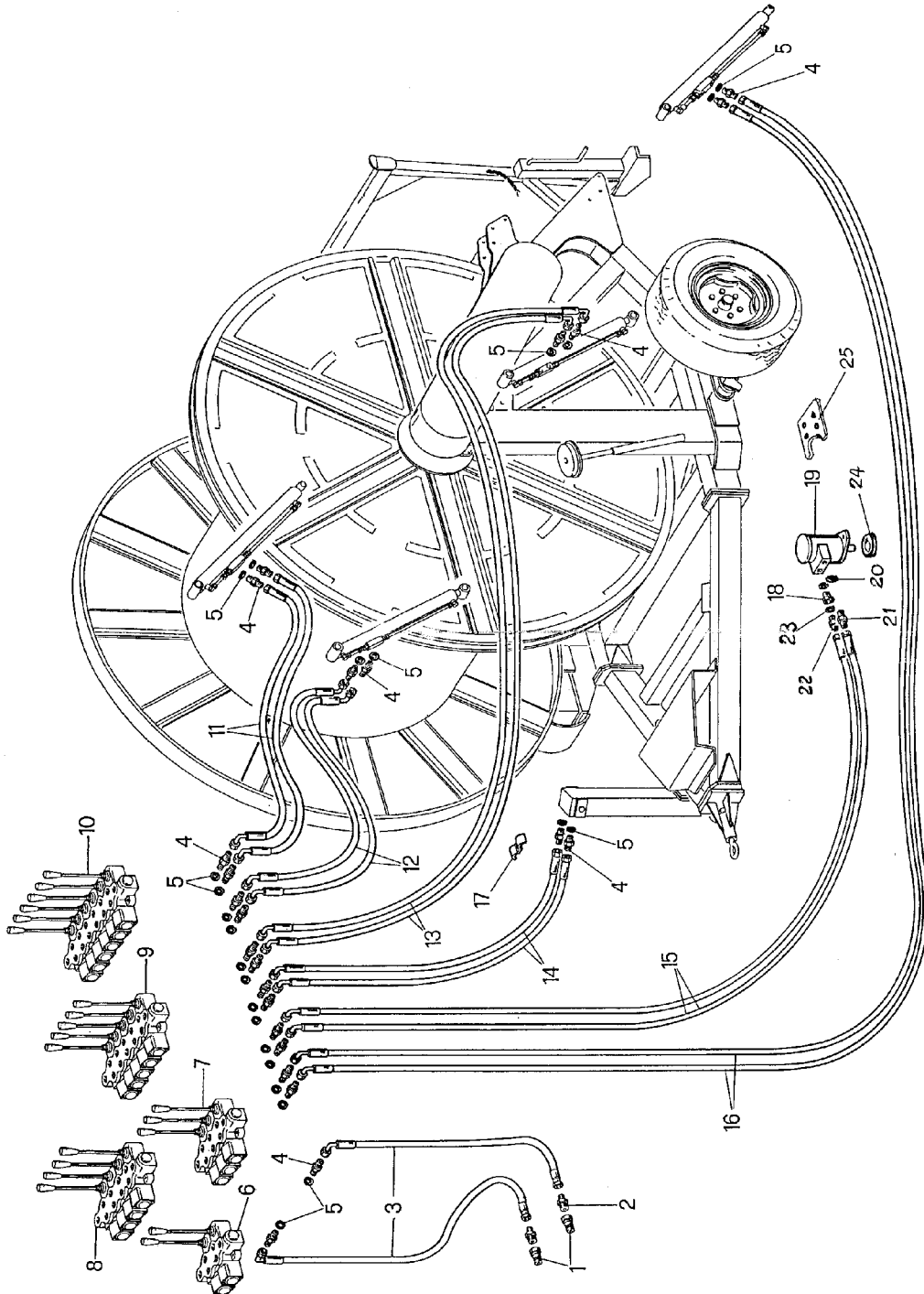


POS.	Page	Description	N.Pieces	Item Number	Notes
38	5	Bearing Support 6217	1	5800003	
39	5	Bearing 6217	1	5800108	
40	5	Circlip E 85	1	5800110	
41	5	Sealing Ring UM 85-105-10	1	5800106	
42	5	Inlet Elbow with Flange	1	6000014+5800002	
43	5	Tachometer Support	1	6000022	
44	5	Clamp 86-95	4	5800137	
45	5	Rubber Hose 80x93	1	5500102	.92 meters
46	5	Drive Cover	1	6000021	f.600102jx
		Drive Cover version 2001	1	6001021	d.600103jx
47	5	Rubber Grip 25x10	1	5800109	
48	5	By-Pass Lever	1	6000026	
49	5	Threaded Knob 6 lobe	1	5800102	
50	5	Stop	1	5800030	
51	5	Pressure Gauge	1	5800115	
52	5	Turbine T2 (v.pag.13)	1	TUR5501	f.600102jx
		Turbine T2M flanged version 2001 (v.pag.13/1)	1	TUR550M	d.600103jx
53	5	Inlet Cone Anfor Ø 100 M	1	6000027	f.60036jx
		Inlet Cone Bauer Ø 108 F	1	6001027	d.60037jx
54	5	Gearbox-Turbine Coupling	1	5800049	f.600102jx
55	5	Brake Band Comer	1	5800143	i.2.744.7006.00
56	5	Rubber Grip 25x10	1	5800109	
57	5	Lever mod.600	1	6000016	
58	5	Oil Plug	1		i.8.7.6.00269
59	5	Gearbox Comer D 745 A (v.pag.16)	1	5800101	f.600102jx
		Gearbox Comer D 745 A (9.745.044.00) (v.pag.16/1)	1	5810101	d.600103jx
60	5	Drive Sprocket Complete Z8 ISO 24A	1	5801010	
61	5	Oil Seal 8x22x7	1	5800140	f.600102jx
62	5	Magnet Cap 22x4	1		
63	5	Tachometer VDO electronic complete	1	TACHVDOEURO	v.pag.22-f.600102jx
		Tachometer VDO electronic complete ver.2001	1	TACHVDOSPRINT	v.pag.22-d.600103jx
64	5	Plug 108 Bauer M	1	8900112	op
65	5	Reelside Cover ABS	12	6000004	f.600102jx
		Reelside Cover "Germany"	12	6000053	op-f.600102jx
66	5	P.T.O. Handle	1	5800041	
67	5	Hydraulic Chassis Jack	1	6000030	rif.600jx
68	5	Mechanical Chassis Jack	1	6000017	rif.600jx-f.600102jx
69	5	Towing Hitch mod.600 JX	1	6000015	f.60061jx
		Towing Hitch clevis 600 JX	1	6001015	op-f.60061jx
		Towing Hitch J/G	1	6000047	d.60062jx
		Towing Hitch clevis J/G	1	6001047	op-d.60062jx
		Towing Hitch "Germany"	1	6000048	op
70	5	Compressor Support	1	6000031	op
71	5	Front Chassis 600 JX ('98)	1	6000019	f.60015jx
		Front Chassis 600 JX ('99)	1	6001019	d.60016jx
72	5	Turntable Platform 600 JX	1	6000024	
73	5	Hydraulic Turntable Gear	1	6000038	op-f.60061jx

SERIES 600 JX



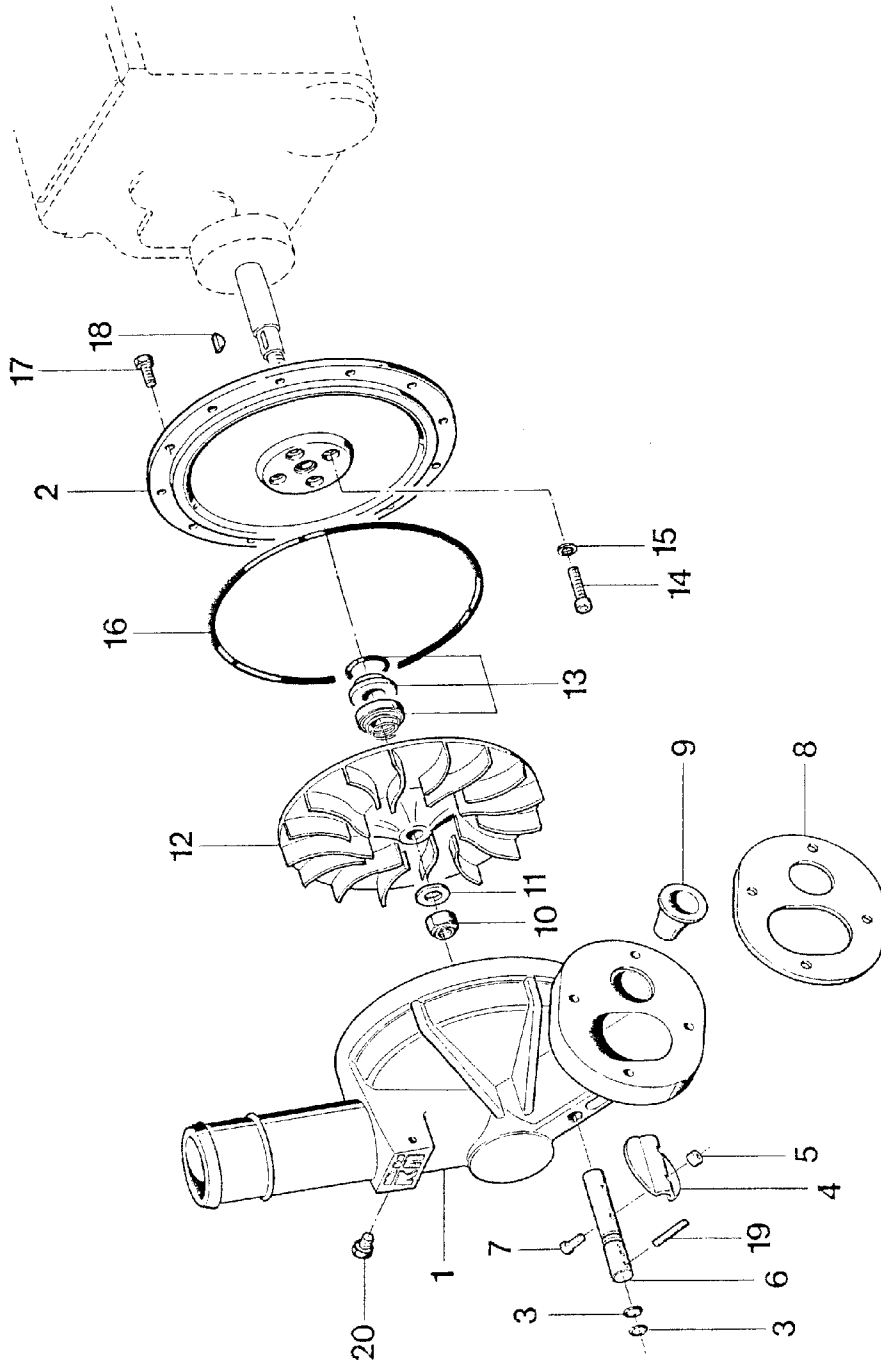
POS.	Page	Description	N.Pieces	Item Number	Notes
73+74	5	Turntable Gear with Bearing		6001038	op-d.60062jx
74	5	Turntable Bearing	1	5900101	
75	5	Sprocket Z13 M7 Ø 25 bore	1	5800402	op-f.600102jx
		Sprocket Z13 M7 Ø 25 taglio laser	3	7000403	op-d.600103jx
76	5	Spindle Pivot Pin	2	6000008	
77	5	Left Spindle Assembly	1	6000006	
78	5	Right Spindle Assembly	1	6000005	
79	5	Lower Hydrailic Cylinder Pin	2	6000029	
80	5	Spindle Assembly Hydraulic Cylinder	2	6000007	
81	5	Upper Hydrailic Cylinder Pin	2	6000028	
82	5	Wheel 10.0/75-15.3 5 lug	2	6000101	pn
		Wheel 31x15.50-15 8 Ply 5 lug	2	6000113	op
83	5	Circlip E 40	1	5800155	
84	5	Coupler Ball Anfor Ø 100 M	1	5800136	gr-f.60036jx
		Coupler Ball Bauer Ø 108 F	1	5801136	gr-d.60037jx
85	5	Rubber Ring Anfor Ø 100	2	5800142	f.60036jx
		Rubber Ring Bauer Ø 108	2	5801142	d.60037jx
86	5	Coupler with hosetail Anfor Ø 100	2	5800138	f.60036jx
		Coupler with hosetail Bauer Ø 108	2	5801138	d.60037jx
87	5	Clamp 110 P	4	5800139	
88	5	Rubber Hose 102x116	1	5800113	4.5 meters
89	5	Compressivo dente d'arresto	1	5800015	gr.f.600102jx
		Compressivo dente d'arresto versione 2001	1	6000057+6000058	d.600103jx
90	5	Spina elastica Spirol	2	5800205	f600102jx
91	5	Stainless Steel Bushing	1	6000046	d.60062jx
92	5	O-Ring 2300 for stainless steel bushing	1	6000112	d.60062jx
93	5	Cap 2" F	1	5800121	
94	5	Drive Sprocket Guard	1	6000059	d.600103jx
95	5	Crossover Pipe 108 Bauer M	1	6000054	op
96	5	Rubber Ring 108 Bauer	2	5801142	op



SERIES 600 JX HYDRAULIC SYSTEM



POS.	Page	Description	N.Pieces	Item Number	Notes
1	6	Tractor Coupler 1/2" M	2	7000309	
2	6	Nipple 1/4"-1/2"	2	7000308	
3	6	Hydraulic Hose 1/4"R1 L=10,000	2	7000312	
4	6	Nipple 1/4"-3/8"	22	7000307	
5	6	Copper Washer 3/8"	22		
6	6	Hydraulic Distributor 2 lever MD2	1	7000301	
7	6	Hydraulic Distributor 3 lever MD2	1	7000302	
8	6	Hydraulic Distributor 4 lever MD2	1	7000303	
9	6	Hydraulic Distributor 5 lever MD2	1	7000304	
10	6	Hydraulic Distributor 6 lever MD2	1	7000305	
11	6	Hydraulic Hose 1/4" R7 L=1800	2	6000105	
12	6	Hydraulic Hose 1/4" R7 L=1100	2	6000102	
13	6	Hydraulic Hose 1/4" R7 L=5000	2	6000103	
14	6	Hydraulic Hose 1/4" R7 L=3200	2	6000107	
15	6	Hydraulic Hose 1/4" R7 L=1800	2	6000105	op
16	6	Hydraulic Hose 1/4" R7 L=4300	2	6000106	
17	6	Hose Bracket	8	7000047	
18	6	Coupler	1	5500042	op
19	6	Hydraulic Motor GFL300	1	7000401	op
20	6	Copper Washer 1/2"	2		op
21	6	Nipple 1/4"-1/2"	1	7000308	op
22	6	Nipple 1/4"-1/4"	1	5800129	op
23	6	Copper Washer 1/4"	1		op
24	6	Spacer 12mm	1	7000404	op-d.600103jx
25	6	Hydraulic Motor Mounting Bracket	1	9900033	op-d.60062jx



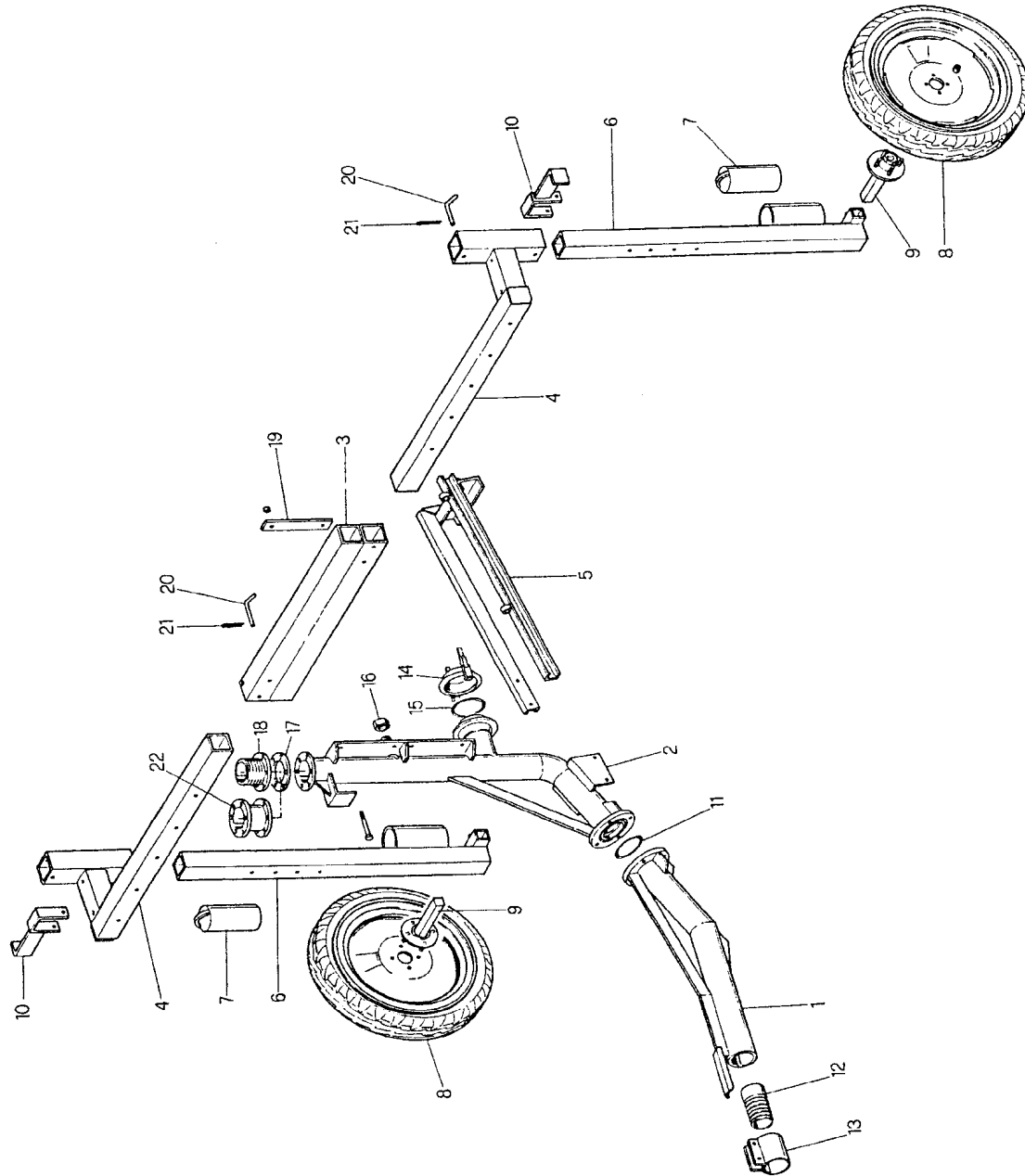
TURBINE T2M



POS.	Page	Description	N.Pieces	Item Number	Notes
1	13/1	Turbine Body 150 degree	1	5501002	
2	13/1	Turbine Flange T2M	1	5810018	
3	13/1	O-Ring 108	2	5800213	
4	13/1	Flapper	1	5500007	
5	13/1	Nut S.S. M5	2	5800211	
6	13/1	By-Pass Valve Shaft	1	5500006	
7	13/1	Bolt TE M5x20 S.S.	2	5800210	
8	13/1	Gasket	1	5500004	
9	13/1	Nozzle Mizar	1	5500202	Ø ...
10	13/1	Nut/Nylock M16 S.S.	1	5800209	
11	13/1	Washer S.S. 17x30x3	1	5800218	
12	13/1	Impeller	1	5500003	
13	13/1	Mechanical Seal Ø20	1	8900201	
14	13/1	Bolt TCEI M8x20 S.S.	4	8900203	
15	13/1	Copper Washer 8x14	4	8900202	
16	13/1	O-Ring 4850	1	5500102	
17	13/1	Bolt TE M8x25	8	8900204	
18	13/1	Woodruff Key 5x9	1	8900205	
19	13/1	Rollpin 5x25	1	5800212	
20	13/1	Plug 1/4" zinc	1	5800208	

SERIES 600-MAJOR JX TROLLEY (VERSION '98)
(Page30)

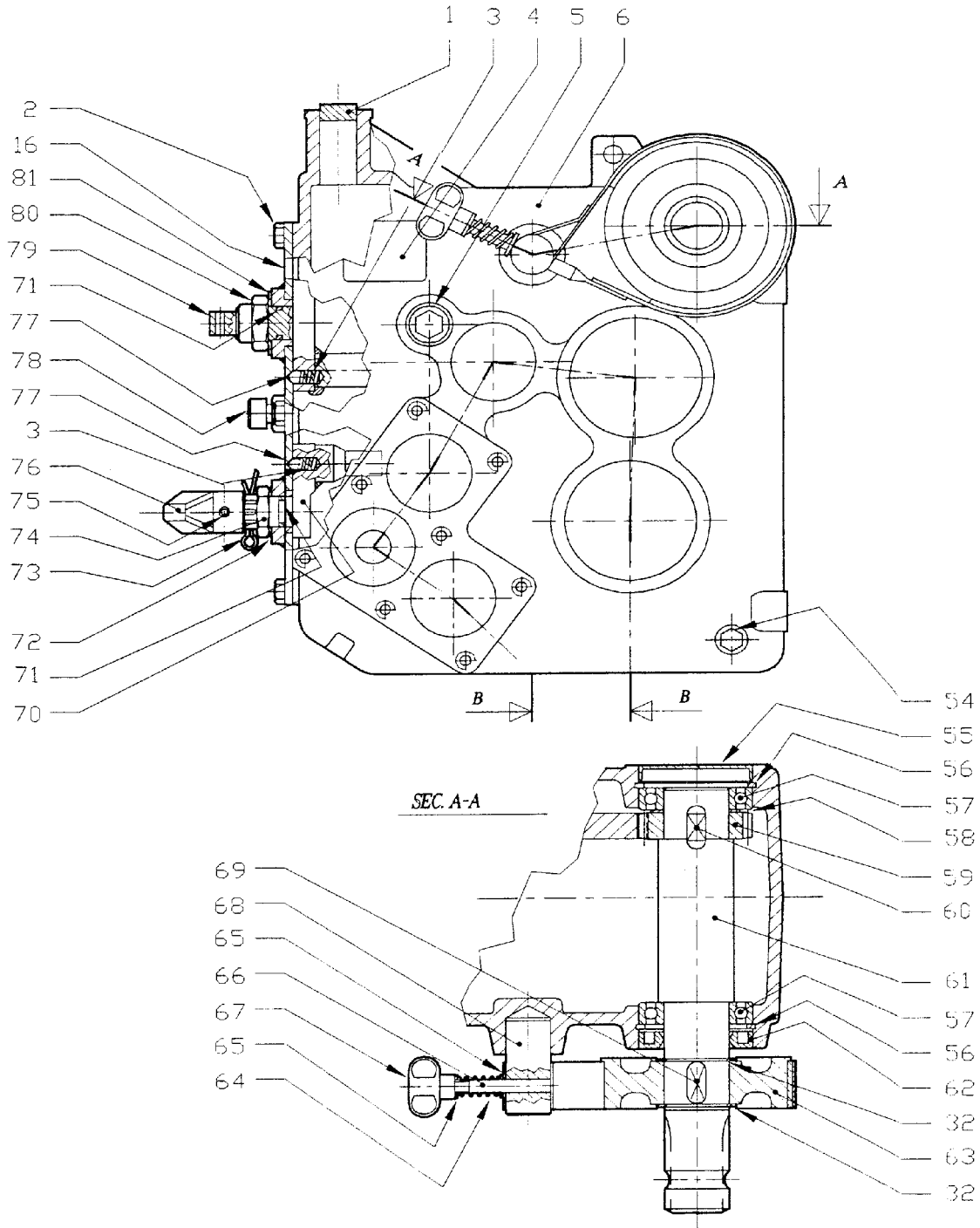
ABI
irrigation

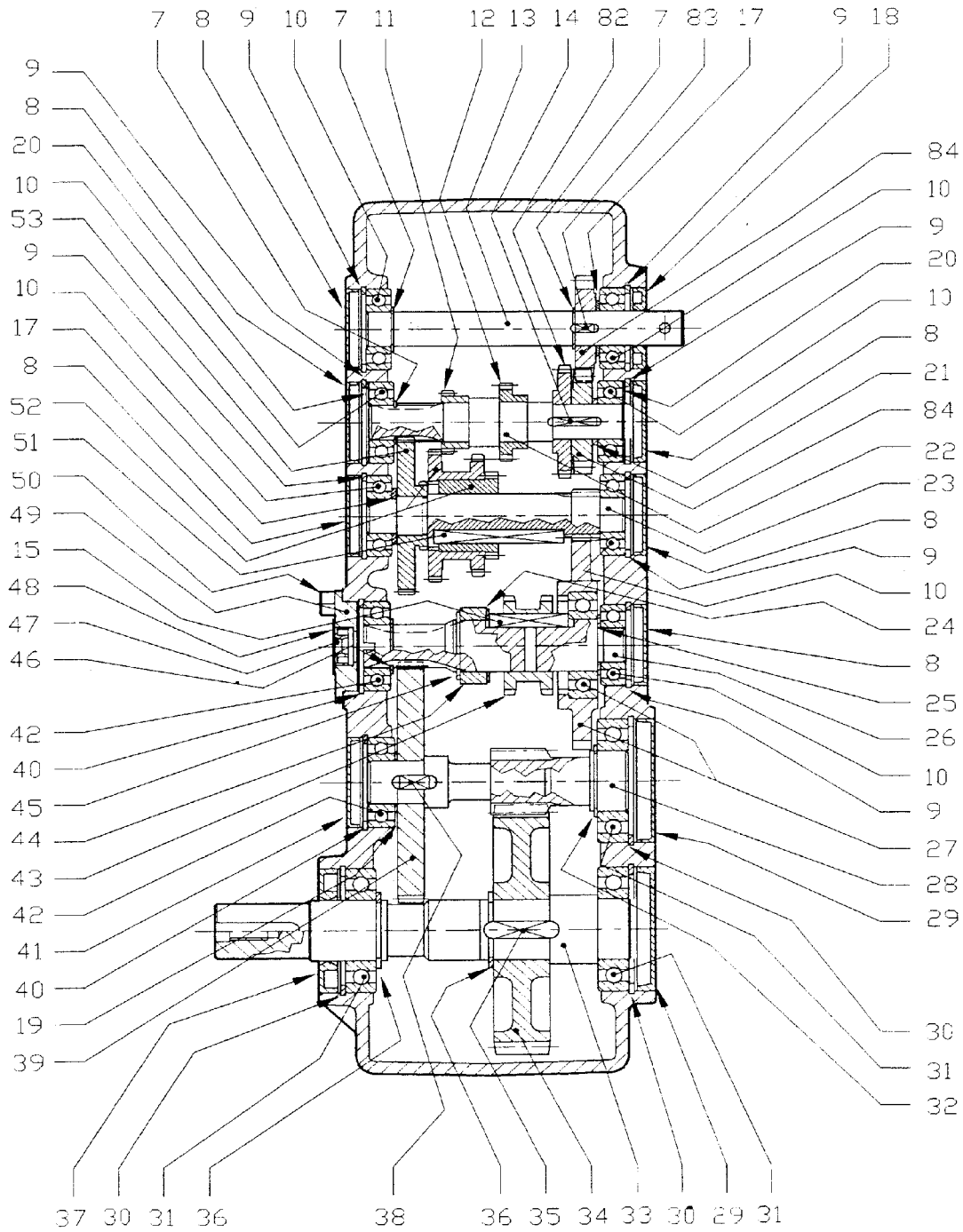


SERIES 600-MAJOR JX TROLLEY (VERSION '98)



POS.	Page	Description	N.Pieces	Item Number	Notes	
1	30	Connecting Tube PET-Trolley	1	70010251		
2	30	Trolley Body	1	70010252		
3	30	Head	1	70010254		
4	30	Leg Support	2	70010255		
5	30	Drawbar	1	70010258		
6	30	Leg	2	70010253		
7	30	Weight	2	BILLETTE	.4 meters	
8	30	Wheel 125/70 D15	2	5800104	pn	
9	30	Spindle Assembly 35 L=200	2	5800103		
10	30	Lifting Stabilizer Bracket	2	70010256		
11	30	O-Ring 6412	1	7000115		
12	30	Barbed Nipple PE	1	5500033	gr - Ø PE	
13	30	Clamp Ø90	1	7000066	Ø PE 90	
	30	Clamp Ø100	1	7000067	Ø PE 100	
	30	Clamp Ø110	1	7000068	Ø PE 110	
	30	Clamp Ø120	1	7000069	Ø PE 120	
	30	Clamp Ø125	1	7000070	Ø PE 125	
	30	Clamp Ø140	1	7000071	Ø PE 140	
14	30	Cap Ø100 Ferrari F	1	5800105	c.15	
15	30	Rubber Ring Ø100 Ferrari	1		c.14	
16	30	Cap 1" FNPT	1	TAPPOSL		
17	30	Gasket	1	58000461		
18	30	Coupler ranger	1	5800044	Ø PE 100-110	
19	30	Head Mounting Bracket	2	70010257		
20	30	Pin	4	5800042		
21	30	R-Clip	4	COOP03AMA		
22	30	Coupler	1	7000065	Ø PE 120-140	
1		----- Trolley Bare 600-700-800 -----				
2						
3						
4	30			1	7001025	
5						
10						
1÷21	30	Trolley Complete	1	CARR7001		





GEARBOX D-745A (9.745.044.00)

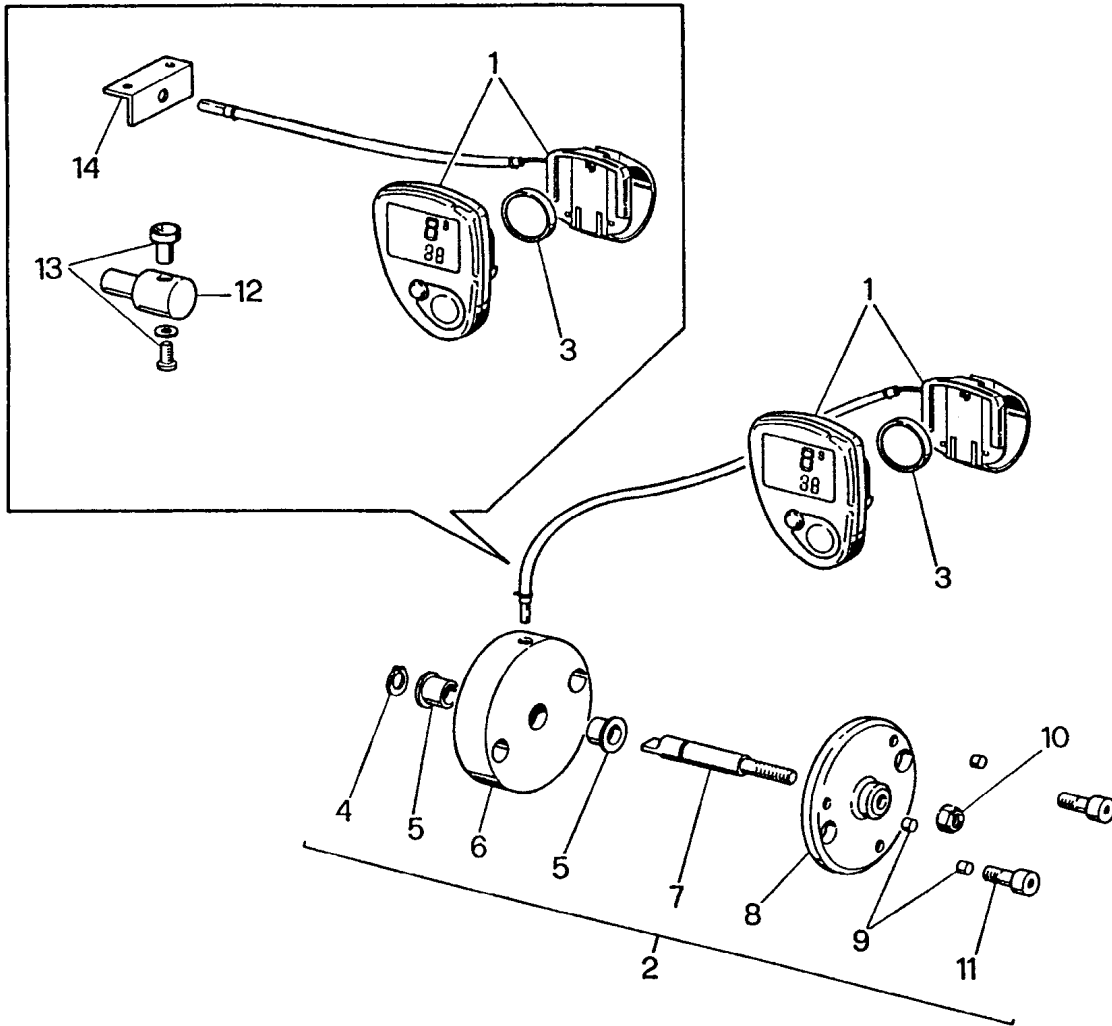


POS.	Page	Description	N.Pieces	Item Number	Notes
1	16/1	Plug	1	01202.069.041	
2	16/1	Bolt TE M8x18 (8.8)	6	8.1.1.01676	
3	16/1	Spring	2	0.721.7101.00	
4	16/1	Serial Plate "COMER"	1	0.124.7101.00	
5	16/1	Oil Sight Glass	1	8.6.4.00273	
6	16/1	Casing	1	0.745.0300.00	
7	16/1	Circlip E20	3	8.5.1.00261	
8	16/1	Oil Plug 47x7	6	8.7.0.01362	9510576000
9	16/1	Circlip I47	7	8.5.2.01290	
10	16/1	Bearing 6204	7	8.0.1.00405	ABI 271
11	16/1	Cylindrical Gear Z=22, M1.5	1	0.735.5001.00	
12	16/1	Cylindrical Gear Z=24, M1.75	1	0.744.5015.00	0744240100
13	16/1	Shaft (turbine shaft 0.744.2401.00)	1	0.744.2009.00	
14	16/1	Key 5x5x20	1	8.4.1.01617	
15	16/1	Key	1	0.744.7100.00	
16	16/1	Cover	1	2.744.1310.00	
17	16/1	Spacer 32x20.3x2.5	2	0.104.7525.00	
18	16/1	Oil Seal 20x47x7	2	8.7.3.01395	RIAT36
19	16/1	Spacer 35.3x25.6x1.0	1	0.100.7510.00	
20	16/1	Spacer 40.3x46.7	2	0.457.7500.00	
21	16/1	Spacer	1	0.744.7104.00	
22	16/1	Pinion Shaft Z=12, M1.5	1	0.744.5011.00	
23	16/1	Pinion Shaft Z=14, M1.75	1	0.744.5009.00	
24	16/1	Spacer 44x30.3x1	1	0.102.7510.00	
25	16/1	Spacer 20.5x34.8x1	1	0.742.7510.00	
26	16/1	Pinion Shaft Z=10, M2	1	0.745.5005.00	
27	16/1	Gear with Bearing 6206	1	2.744.6010.00	
28	16/1	Pinion Shaft Z=10, M3	1	0.745.5000.00	
29	16/1	Oil Plug 72x10	2	8.7.0.00744	DO27631
30	16/1	Circlip I72	3	8.5.2.00131	
31	16/1	Bearing 6207	3	8.0.1.00870	ABI 289
32	16/1	Circlip E35	3	8.5.1.00005	
33	16/1	Shaft	1	0.745.3000.00	
34	16/1	Crown Gear Z=46, M3	1	0.745.6000.00	
35	16/1	Key 10x8x30	1	8.4.1.00993	
36	16/1	Ring with Keyway H=2.5 I.D.35	2	8.5.1.00583	
37	16/1	Oil Seal 35x72x10	1	8.7.3.00055	ABI 559
38	16/1	Key 8x7x16	1	8.4.1.01041	
39	16/1	Crown Gear Z=67, M2	1	0.745.6002.00	
40	16/1	Circlip I52	2	8.5.2.00038	
41	16/1	Oil Plug 52x7	1	8.7.0.00693	9510600000
42	16/1	Bearing 6205	2	8.0.1.00034	ABI 287
43	16/1	Bushing	1	0.744.7000.00	
44	16/1	Spacer	1	0.744.7106.00	
45	16/1	Ring with Keyway H=2 I.D. 30	1	8.5.1.01082	
46	16/1	Circlip E25	1	8.5.1.00004	
47	16/1	Oil Seal 8x22x7	1	8.7.3.01396	

GEARBOX D-745A (9.745.044.00)



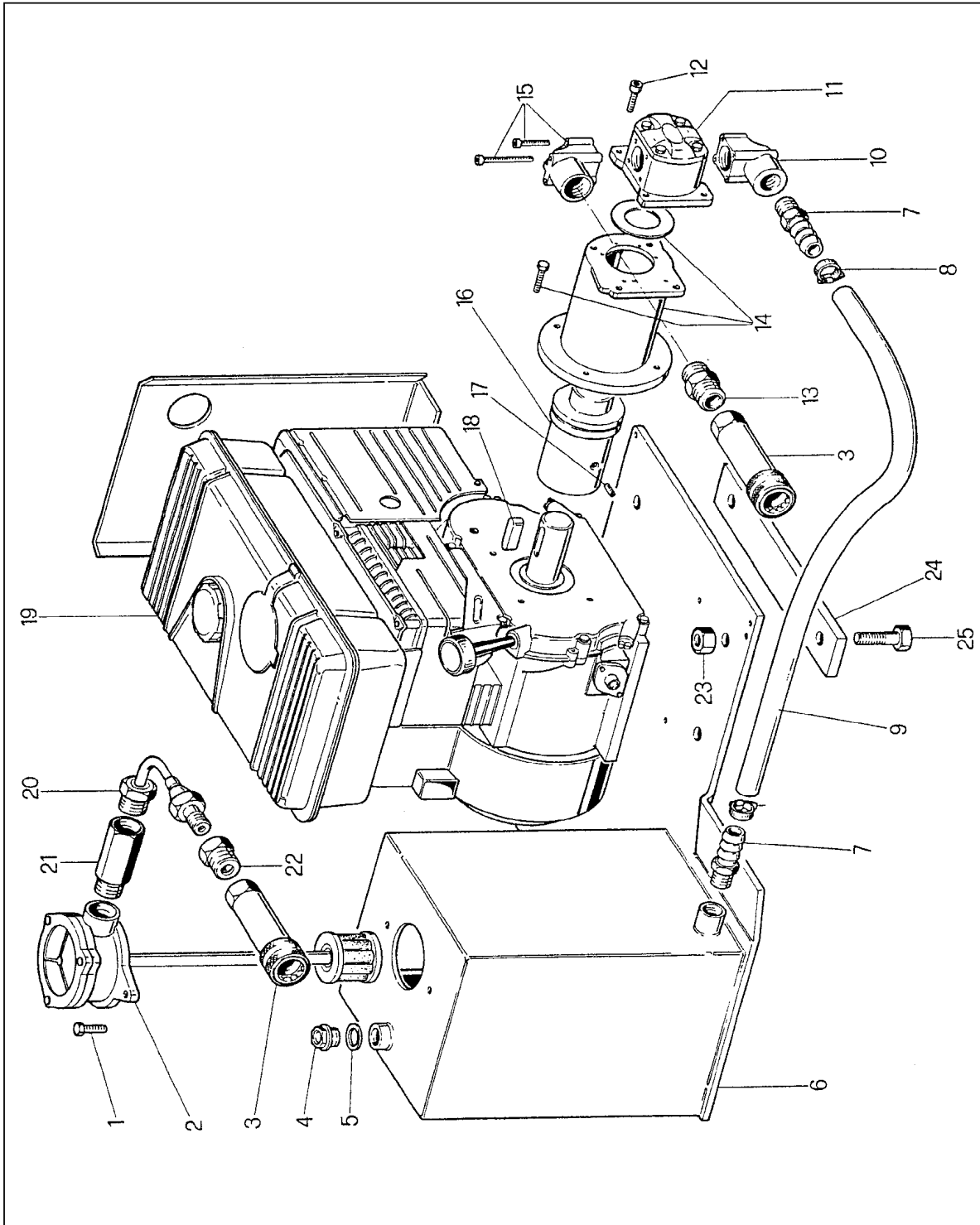
POS.	Page	Description	N.Pieces	Item Number	Notes
48	16/1	Cap	1	0.735.7104.00	
49	16/1	Cover	1	0.735.1300.00	
50	16/1	Bolt TCEI M8x12 (8.8)	2	8.1.2.01718	
51	16/1	Key	1	0.744.7101.00	
52	16/1	Gear	1	2.744.5007.00	
53	16/1	Crown Gear Z=58, M1.5	1	0.744.6003.00	
54	16/1	Plug 3/8" GAS	1	8.6.5.00006	
55	16/1	Oil Plug	1	8.7.0.00743	9510651000
56	16/1	Circlip I62	2	8.5.2.00007	
57	16/1	Bearing 6007	2	8.0.1.00000	CP35016
58	16/1	Spacer 48x35.3x1.3	1	0.259.7513.00	
59	16/1	Gear Z=28, M2	1	0.745.6001.00	
60	16/1	Key 10x8x16	1	8.4.1.01658	
61	16/1	P.T.O. Shaft 1-3/8"-6 spline	1	0.745.3001.00	
62	16/1	Oil Seal 35x62x10	1	8.7.3.00003	9020265000
63	16/1	Brake Hub	1	0.744.7004.00	
64	16/1	Spring	1	0.735.7103.00	
65	16/1	Washer 8.4x14	2	8.3.2.00439	
66	16/1	Brake Band	1	2.744.7006.00	
67	16/1	Threaded Knob M8-F	1	8.9.1.01713	
68	16/1	Brake Pin	1	0.744.7005.00	
69	16/1	Key 10x8x25	1	8.4.1.00232	
70	16/1	Lever	1	2.744.7002.00	
71	16/1	O-Ring 3062	2	8.7.6.00191	
72	16/1	Spring Washer 40x20.4x1.5	1	8.5.5.01316	
73	16/1	Cotter Pin 4x35	1	8.4.7.00760	
74	16/1	Castle Nut M20x1.5	1	8.2.2.00997	
75	16/1	Rollpin 5x24	1	8.4.5.00934	
76	16/1	Handle Grip	1	1.721.7002.00	
77	16/1	Ball 5/16" 7.9 mm	2	8.5.9.00166	
78	16/1	Plug 1/2" GAS	1	8.6.7.00269	
79	16/1	Lever x I.D.	1	2.744.7013.00	
80	16/1	Locking Nut M20x1.5	1	0.744.7105.00	
81	16/1	Spacer 32x20.3x1	1	0.104.7510.00	
82	16/1	Crown Gear Z=35, M1.75	1	0.744.6007.00	
83	16/1	Key 5x5x10	1	8.4.1.01511	
84	16/1	Gear Z=15, M3.5	2	0.744.6008.00	



TACHOMETER VDO EURO/SPRINT



POS.	Page	Description	N.Pieces	Item Number	Notes
1	22	Tachometer VDO Euro/Sprint	1	5800501	
2	22	Velocity Sensor Complete	1	5800508	
3	22	Battery	1	5800504	
4	22	Circlip E8	1	5800503	
5	22	Bushing	2	5800502	
6	22	Sensor Support	1	5800052	
7	22	Velocity Sensor Shaft	1	5800054	
8	22	Magnet Support	1	5800053	
9	22	Magnet	3	5800505	
10	22	Nut/Nylock M5	1	5800211	
11	22	Bolt TCEI M5x12	2		
12	22	Single Magnet Support	1	8900034	
13	22	Magnet VDO	1		
14	22	Bracket	1	8900105	
1		\\			
2	22	Tachometer Complete (Euro)	1	TACHVDOEURO	
3		/			
		/			
1		\\			
3		\\			
12	22	Tachometer Complete (Sprint)	1	TACHVDOSPRINT	
13		/			
14		/			



HYDRAULIC ENGINE-PUMP KIT



POS.	Page	Description	N.Pieces	Item Number	Notes
1	44	Bolt TCEI M6x30	2		
2	44	Filter Assembly RFM4 3/8"F	1	7000318	
3	44	Tractor Coupler 1/2" F	2	9900104	
4+5	44	Oil Plug with copper washer 1/2"	1	7000321	
6+24	44	Oil Tank and Mounting Kit	1	7000064	
7	44	Threaded hosetail 3/8" mnpt x Ø16 hstl	1	7000319	
8	44	Clamp ABA 25	2	2000111	
9	44	Rubber Hose R2 16x23	1	7000320	.32 meters
10	44	Aluminum Elbow 3/8" F	1	7000317	
11	44	Hydraulic Pump GR1 1.6 cmc/giro	1	7000316	
12	44	Bolt TCEI M6x30	4		
13	44	Nipple 1/2"-3/8"	1	8900109	
14+16	44	Hydraulic Pump Coupler and Mount GR1	1	7001325	B&S 6.5hp
	44	Hydraulic Pump Coupler and Mount GR1	1	7000325	B&S 5.5hp
17	44	Set Screw M8x10	1		c.16
18	44	Key	1	7000326	
19	44	Engine Briggs&Stratton 6.5hp	1	7000324	
20	44	Elbow 90 degree 3/8" F-F	1	7000323	
21	44	Extension M-F 3/8" L=40	1	7000322	
22	44	Nipple 3/8"-1/2"	1	8900109	
23	44	Nut M12	4		
25	44	Bolt TE M12x180	4		