

# SERIES 700 JX



POS.	Page	Description	N.Pieces	Item Number	Notes
1	7	Lifting Frame 700	1	7000017	f.700192
		Lifting Frame 700 NT	1	7000057	d.700193-f.700392
		Lifting Frame 700 version 2001	1	7001057	d.700393
2	7	Lifting Frame Chain #19	1	CATGENOV	1.1 meters
3a	7	Mechanical Leg	1	7000034	dx
3b	7	Hydraulic Leg	1	7000043	op-dx
4	7	Bracket mod."J"	1	7000011	f.700192
5	7	Bushing mod."J"	2	7000012	
6	7	Roller PVC	1	7000026	
7	7	Hoseguide Fork mod.700	1	7000018	
8	7	Roller Shaft PVC	2	5900007	
9a	7	Mechanical Leg	1	7000034	sx
9b	7	Hydraulic Leg	1	7000043	op-sx
10	7	Cursor Finger Ø 30	1	5800007	f.Dic.95
		Cursor Finger Ø 35	1	5800050	d.Gen.96
11	7	Circlip I 30	1	4000113	f.Dic.95
		Circlip I 35	1	5800144	d.Gen.96
12	7	Grease Zirk M6	2	5800112	
13	7	Cursor	1	5800006	f.700392
		Cursor senza aletta	1	5801006	d.700393
14	7	Hoseguide Bar	1	7000008	
15	7	PET Hose	1	TUBPOL...	Ø PE
16	7	Bearing UCP 206	2	5800118	f.700392
		Bearing UCPA 206 (version 2001)	2	6000104	d.700393
17	7	Sprocket 1/2" S (for hoseguide bar)	1	5500037	z...
18	7	Chain 1/2"	1	5800119	3.21 meters
19	7	Master Link 1/2" S	1	5800120	
20	7	Primary Chain Cover	1	7000037	
21	7	Bearing UCP 210	1	7000111	
22	7	Sprocket 1/2" S (for reel shaft)	1	5500037	z...
23	7	Upper Hydraulic Pin	2	7000028	
24	7	Reelside Cover ABS	12	7000005	f.700392
25	7	Hydraulic Spindle Assembly	2	7000030	dx-sx
		Hydraulic Spindle Assembly (11.5/80-15.3)	2	7001030	op-dx-sx
26	7	Lower Hydraulic Pin	2	7000029	
27	7	Locking Pin	2	5800043	
28	7	Wheel 10.0/75-15.3 6 lug	2	7000105	pn
		Wheel 11.5/80-15.3 6 lug	2	8000105	op
		Wheel 31x15.50-15 8ply 6 lug	2	7000119	op
29	7	Turntable Bearing	1	7000107	
30	7	Turntable Gear DE1239 Z 175	1	7000402+7000107	op-f.700392
		Turntable Gear DE1239 Z 175 with bearing	1	8000033	op-d.700393
31	7	Sprocket Z13 M7	1	5800402	op-f.700392
		Sprocket Z13 M7	3	7000403	op-d.700393
32	7	Turntable Base S.700	1	7000007	
33	7	Mechanical Chassis Jack S.700	1	7000035	
34	7	Hydraulic Chassis Jack S.700	1	7000042	f.Dic.96

# SERIES 700 JX

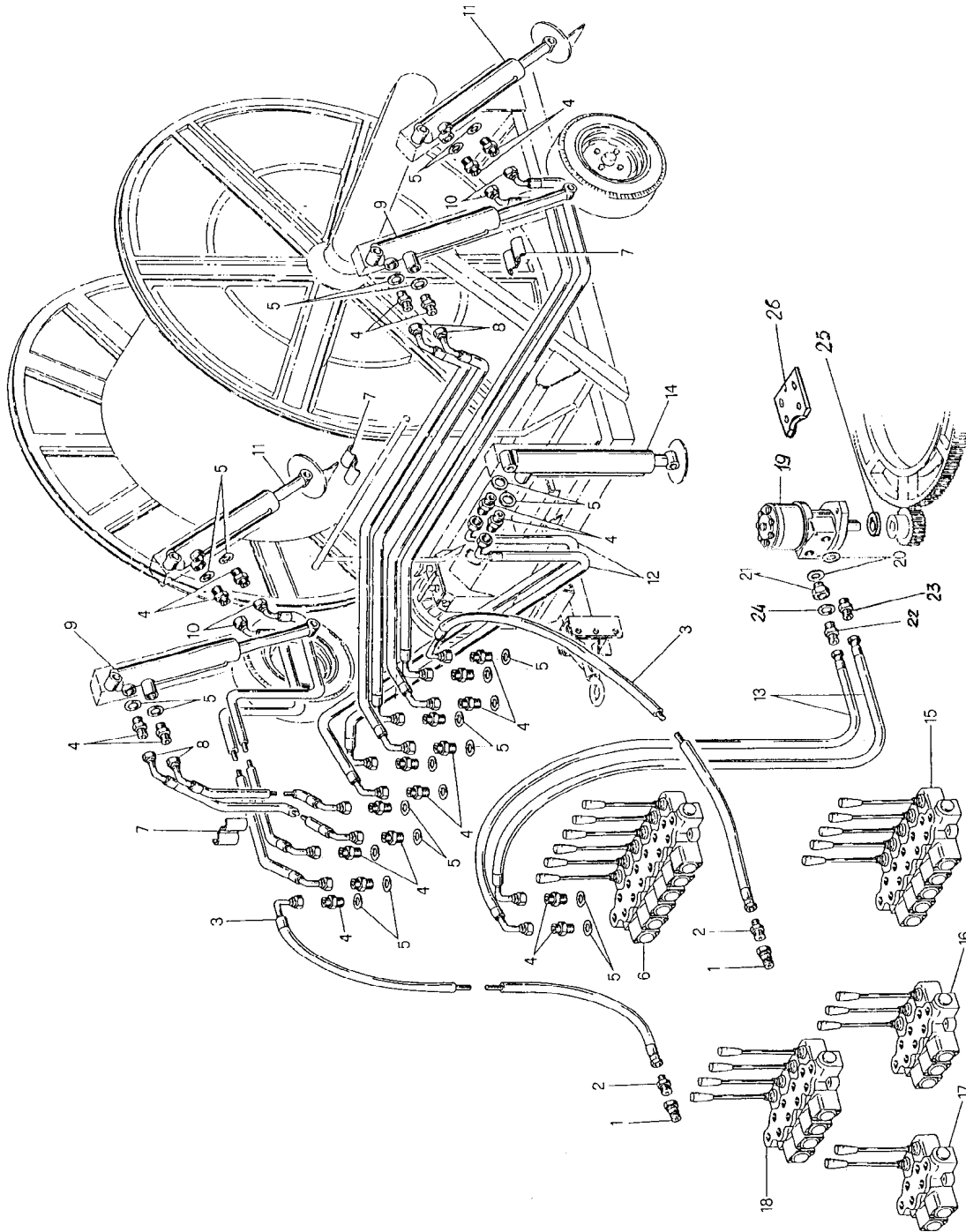


POS.	Page	Description	N.Pieces	Item Number	Notes
34	7	Hydraulic Chassis Jack S.700-800	1	8000021	d.Gen.97
35	7	Manual Hydraulic Chassis Jack	1	7000041	
36	7	Towing Hitch Pin	2	7000032	
37	7	Towing Hitch	1	7000031	
		Towing Hitch clevis	1	7001031	op
38	7	Chassis series 700	1	7000006	
39	7	P.T.O. Handle	1	5800041	
40	7	Bearing	1	7000102	
41	7	Chain Tensioner Sprocket Z12 1"	1	7000022	
42	7	Bolt TE M20x90	1		c.46
43	7	Anti-Return Pawl	1	70000022	f.700392
		Anti-Return Pawl version 2001	1	8000037	d.700393
44	7	Overwind Bar mod.700	1	7000019	
45	7	Chain Tensioner	1	7000010	
46	7	Chain Tensioner Bushing	1	7000048	c.42
47	7	Chain 1" S FKK	1	7000103	8.5 meters
48	7	Spring	1	5700013	
49	7	Gearbox Lever mod. "JX"	1	7000014+7000052	
50	7	Cover	1	7000033	
51	7	Tachometer Cable L=600	1	5800124	
52	7	Angle Adapter 66/2 1/1	1	5800125	
53	7	Tachometer VDO electronic complete	1	TACHVDOEURO	v.pag.22
54	7	Oil Seal 8x22x7	1	5800140	i.8.7.3.01396
55	7	Brake Band Comer	1	5800143	i.2.744.7006.00
56	7	Tachometer DX TL 90.0150	1	5800123	rif.700
57	7	By-Pass Rod	1	7000020	
58	7	Threaded Handle 6 lobe	1	5800102	
59	7	Clamp PE Ø 90 (86-95)	3	5800137	
		Clamp PE Ø 100 (95-105)	3	5900102	
		Clamp PE Ø 110 (104-115)	3	5800114	
		Clamp PE Ø 120 (115-130)	3	8000120	
		Clamp PE Ø 125 (120-134)	3	8000111	
60	7	Barbed Nipple	1	5500033	Ø PE
61	7	Reel Complete	1	7000001	
		Reel Special for Ø 120 & Ø 125 ml.300	1	7001001	
62	7	Drum Tooth M16x60 with nut	12	7000036	
63	7	Bearing Support 6220	1	7000003	
64	7	Bearing 6220	1	7000108	
65	7	Circlip E 100	1	7000110	
66	7	Seal Ring UM 95-115-10	2	7000106	f.700331
		Seal Ring UM 100-120-10	2	7001106	d.700332
67	7	Inlet Elbow with flange	1	7000024+7000004	f.700331
		Inlet Elbow with flange	1	7000024+7001004	d.700332
68	7	Drive Chain Cover	1	7000038	
69	7	By-Pass Rod Guide	1	7000015	
70	7	Gearbox Oil Breather	1		i.8.6.7.00269
71	7	Upper Roller PVC	1	7000059	rif.700

# SERIES 700 JX



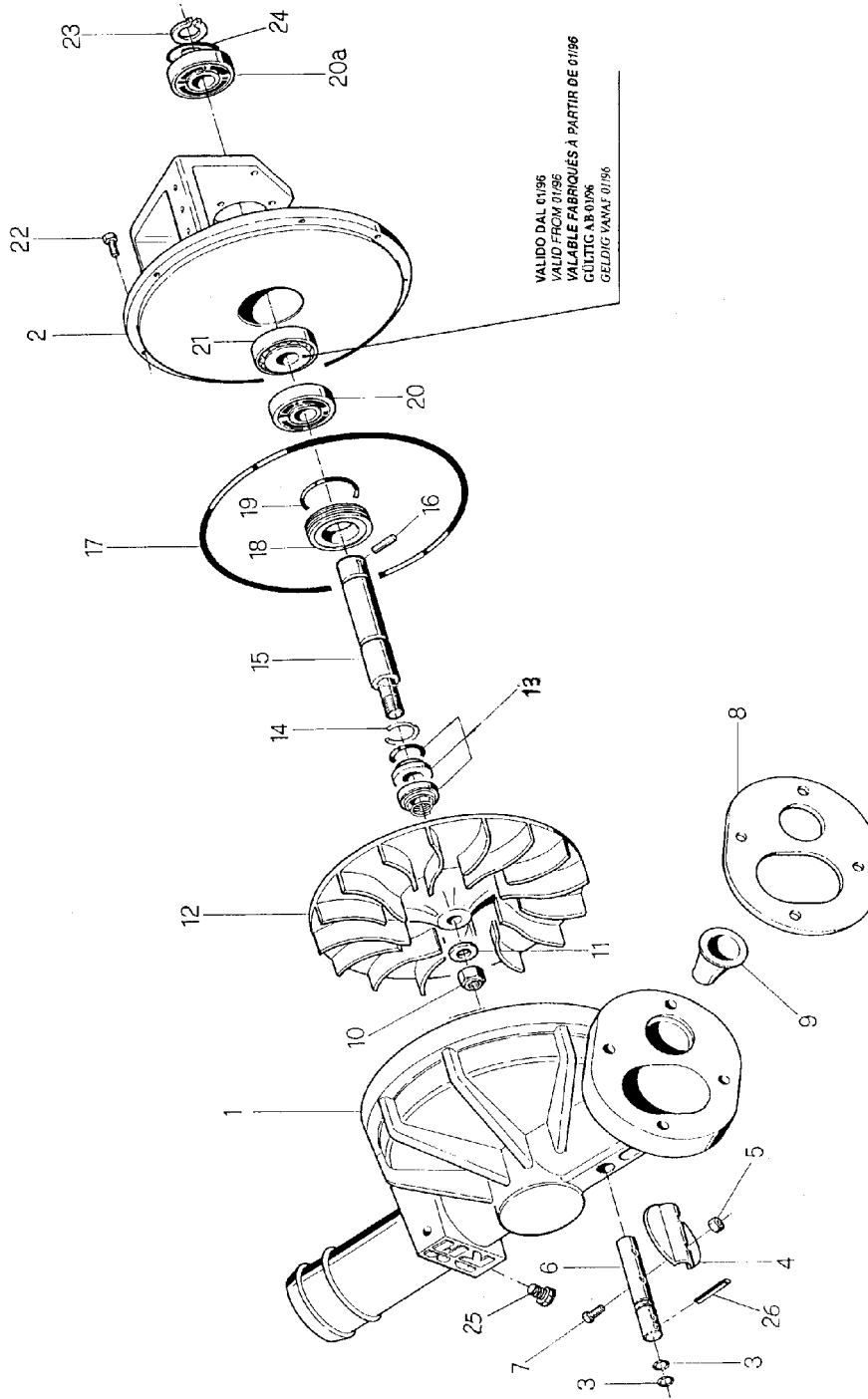
POS.	Page	Description	N.Pieces	Item Number	Notes
72	7	Rubber Grip 25x10	2	5800109	
73	7	Gearbox Comer D 744 A	1	7000101	v.pag.17
74	7	Sprocket 1" S Z11	1	7000023	
75	7	Sprocket Cover	1	7000039	
76	7	P.T.O. Cover	1	5500126	
77	7	Coupler Ball Anfor Ø 100 M	1	5800136	gr-f.700312
		Coupler Ball BauerØ 108 F	1	5801136	gr-d.700313
78	7	Rubber Ring Anfor Ø 100	2	5800142	f.700312
		Rubber Ring Bauer Ø 108	2	5801142	d.700313
79	7	Coupler with hosetail Anfor Ø 100 F	2	5800138	f.700312
		Coupler with hosetail Bauer Ø 108 M	2	5801138	d.700313
80	7	Clamp 110 P	4	5800139	
81	7	Rubber Hose 102x116	1	5800113	4.5 meters
82	7	Cap 2" F zinc	1	5800121	
83	7	Inlet Cone for T3 turbine (Anfor Ø100M)	1	7000021	f.700312
		Inlet Cone for T3 turbine (Bauer Ø108F)	1	7001021	d.700313
84	7	Turbine T3	1	TUR580	v.pag.14
85	7	Connector gearbox-turbine	1	5800029	
86	7	Pressure Gauge	1	5800115	ABI 044
87	7	Clamp 104-115	4	5800114	
88	7	Rubber Hose 102x116	1	5800113	.66 meters
89	7	By-Pass Stop	1	5800030	
90	7	By-Pass Command Lever	1	7000016	
91	7	Compensation Rod	1	7000013	f.700111
		Compensation Rod	1	7001013	d.700112
92	7	By-Pass Stop	1	5800058	d.700112
93	7	Turbine Cover	1	7000049	
94	7	Front Cover PVC	1	7000050	
95	7	R-Clip Ø 5	4		
96	7	Back Primary Chain Cover	2	5700028	
97	7	Circlip E 50	1	7000109	
98	7	Circlip E 25	8	7000114	
99	7	Master Link 1" S	1	7000104	
100	7	Front Cover Support	1	7000051	
101	7	Terret Base Complete	1	7000002	
		Terret Base Complete version 2001	1	7001002	f.700392
102	7	Drive Sprocket Spacer 1"	1	7000073	d.700393
103	7	Drive Sprocket Washer 1"	1	7000072	
104	7	Rollpin	2	5800205	
105	7	Stainless Steel Bushing	1	7000054	d.700332
106	7	O-Ring 2375	1	7000117	d.700332
107	7	Lug Nut	12	5800152	
108	7	Hydraulic Leg version 2001	2	7000075	d.700393
109	7	Hydraulic Cylinder	2	6000033	d.700393
110	7	Crossover Pipe 108 Bauer	1	7000083	op
111	7	Rubber Ring 108 Bauer	2	5801142	op
112	7	Plug 108 Bauer	1	8900112	op



**SERIES 700-800 JX HYDRAULIC SYSTEM**




POS.	Page	Description	N.Pieces	Item Number	Notes
1	8	Tractor Coupler 1/2"M	2	7000309	
2	8	Nipple 1/4"-1/2"	2	7000308	
3	8	Hydraulic Hose 1/4" R1 L=10,000	2	7000312	
4	8	Nipple 1/4"-3/8"	22	7000307	
5	8	Copper Washer 3/8"	22		
6	8	Hydraulic Distributor 6 lever DN6	1	7000305	op
7	8	Hose Bracket	6	7000047	
8	8	Hydraulic Hose 1/4" R7 L=2600	4	7000112	
9	8	Hydraulic Cylinder 700	2	7000027	f.700392
	8	Hydraulic Cylinder 700 with valve block	2	7001027	d.700393
	8	Hydraulic Cylinder 800	2	8000017	f.800387
	8	Hydraulic Cylinder 800 with valve block 800	2	8001017	d.800388
10	8	Hydraulic Hose 1/4" R7 L=3900	4	7000310	
11	8	Hydraulic Leg Cylinder 04	2	8000117	f.700392-f.800387
	8	Hydraulic Leg Cylinder	2	6000033	f.700393-f.800388
12	8	Hydraulic Hose 1/4" R7 L=700	2	7000306	
13	8	Hydraulic Hose 1/4" R7 L=1200	2	7000313	op
14	8	Hydraulic Jack Cylinder 04	1	8000117	
15	8	Hydraulic Distributor 5 lever MD5	1	7000304	
16	8	Hydraulic Distributor 3 lever MD5	1	7000302	
17	8	Hydraulic Distributor 2 lever MD5	1	7000301	
18	8	Hydraulic Distributor 4 lever MD5	1	7000303	
19	8	Hydraulic Motor GFL300	1	7000401	op
20	8	Copper Washer 1/2"	2		op
21	8	Adapter	1	5500042	op
22	8	Nipple 1/4"-1/4"	1	5800129	op
23	8	Nipple 1/4"-1/2"	1	7000308	op
24	8	Copper Washer 1/4"	1		op
25	8	Sprocket Spacer h=12	1	7000404	op-d.700393
26	8	Hydraulic Motor Mounting Bracket	1	9900033	op-d.700393



**TURBINE T3(cod.TUR580)-T3.1 FLANGED (cod.TUR5801)**

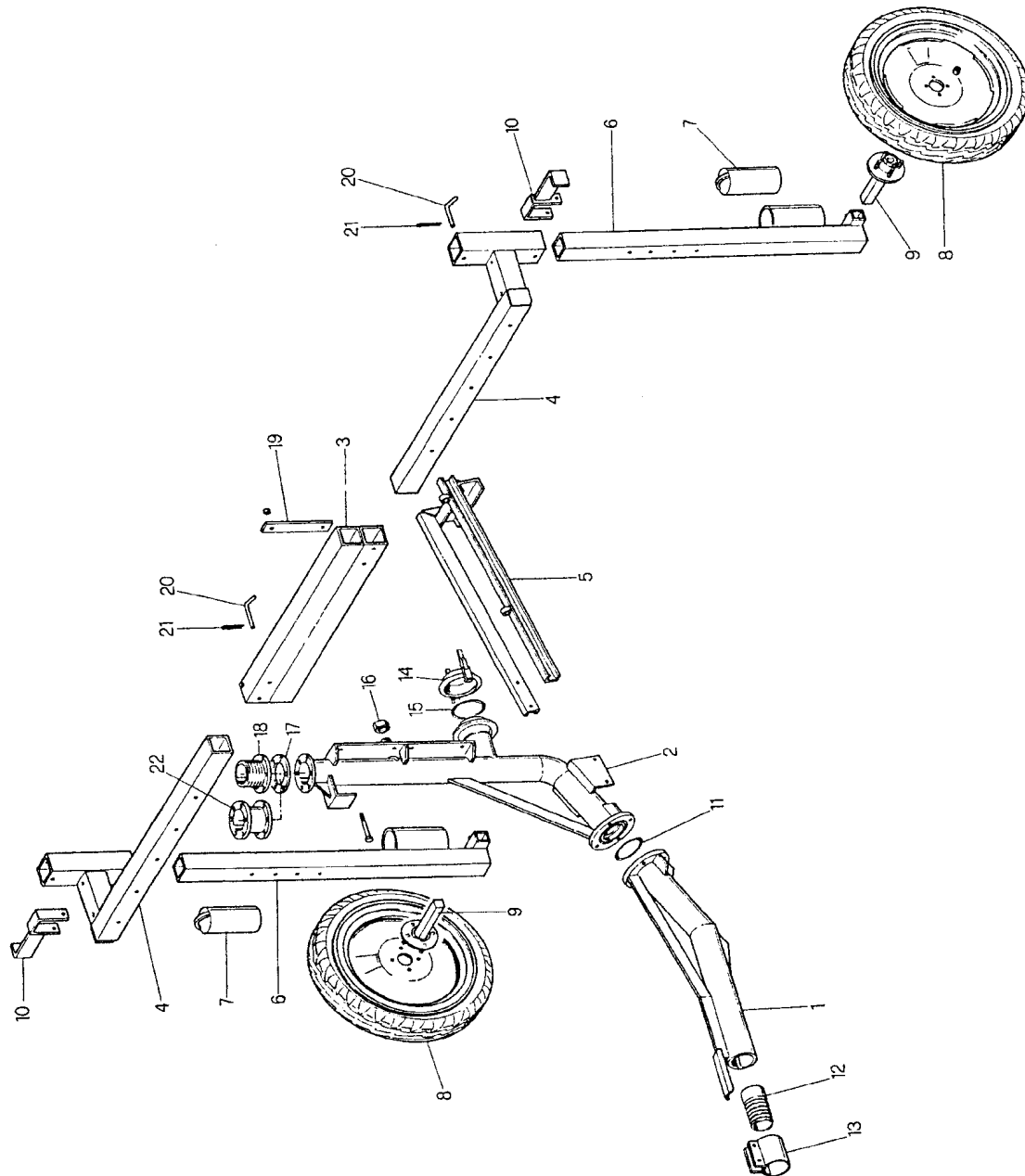


POS.	Page	Description	N.Pieces	Item Number	Notes	
1	14	Turbine Body T3	1	5800021	rif.T3	
	14	Turbine Body T3.1	1	5801021	rif.T3.1	
2	14	Cover	1	5800020		
3	14	O-Ring 108	2	5800213		
4	14	Flapper	1	5800028		
5	14	Nut S.S. M5	2	5800211		
6	14	By-Pass Valve Shaft	1	5800027		
7	14	Bolt M5x20 S.S.	2	5800210		
8	14	Rubber Gasket	1	5800025		
9	14	Nozzle	1	5800214	Ø ...	
10	14	Locking Nut M16	1	5800209		
11	14	Spring Washer S.S. 17x30x3	1	5800218		
12	14	Impeller	1	5800023		
13	14	Mechanical Seal standard	1	5800201	8009201	
	14	Mechanical Seal stainless	1	5800201W	op	
14	14	Ring A25	1	5800202		
15	14	Shaft S.S.	1	5800024		
16	14	Rollpin 6x50	1	5800205		
17	14	O-Ring 41050	1	5800204		
18	14	Mechanical Seal Spacer PVC	1	5800022		
19	14	O-Ring 3181	1	5800203		
20	14	Bearing	1	5800215		
20a	14	Bearing INA	1	5801215	f.31/12/95	
	14	Bearing	1	5800215	d.01/01/96	
21	14	Bearing 30205	1	5800217	d.01/01/96	
22	14	Bolt TCEI M8x25	12	5800207		
23	14	Circlip E25	1	5800206		
24	14	Washer INA	1	5800216		
25	14	Plug zinc GJ 1/4"	1	5800208		
26	14	Rollpin 5x25	1	5800212		
2						
10						
11						
12						
13						
14						
15						
16	14		Turbine Kit T3-T3.1	1	TUR580KIT	
17						
18						
19						
20						
20a						
21						
23						
24						



**SERIES 600-MAJOR JX TROLLEY (VERSION '98)**  
**(Page30)**

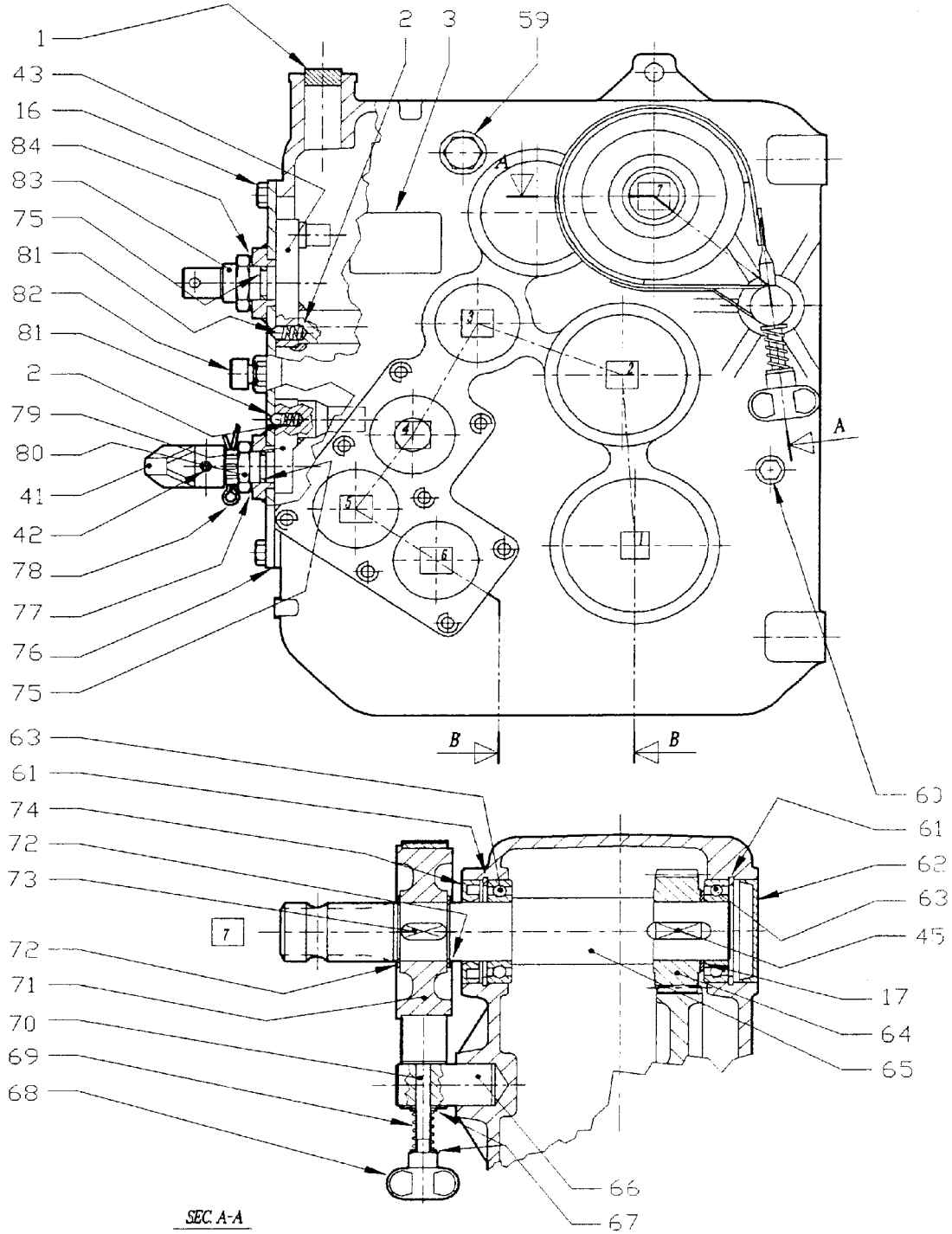
**ABI**  
irrigation

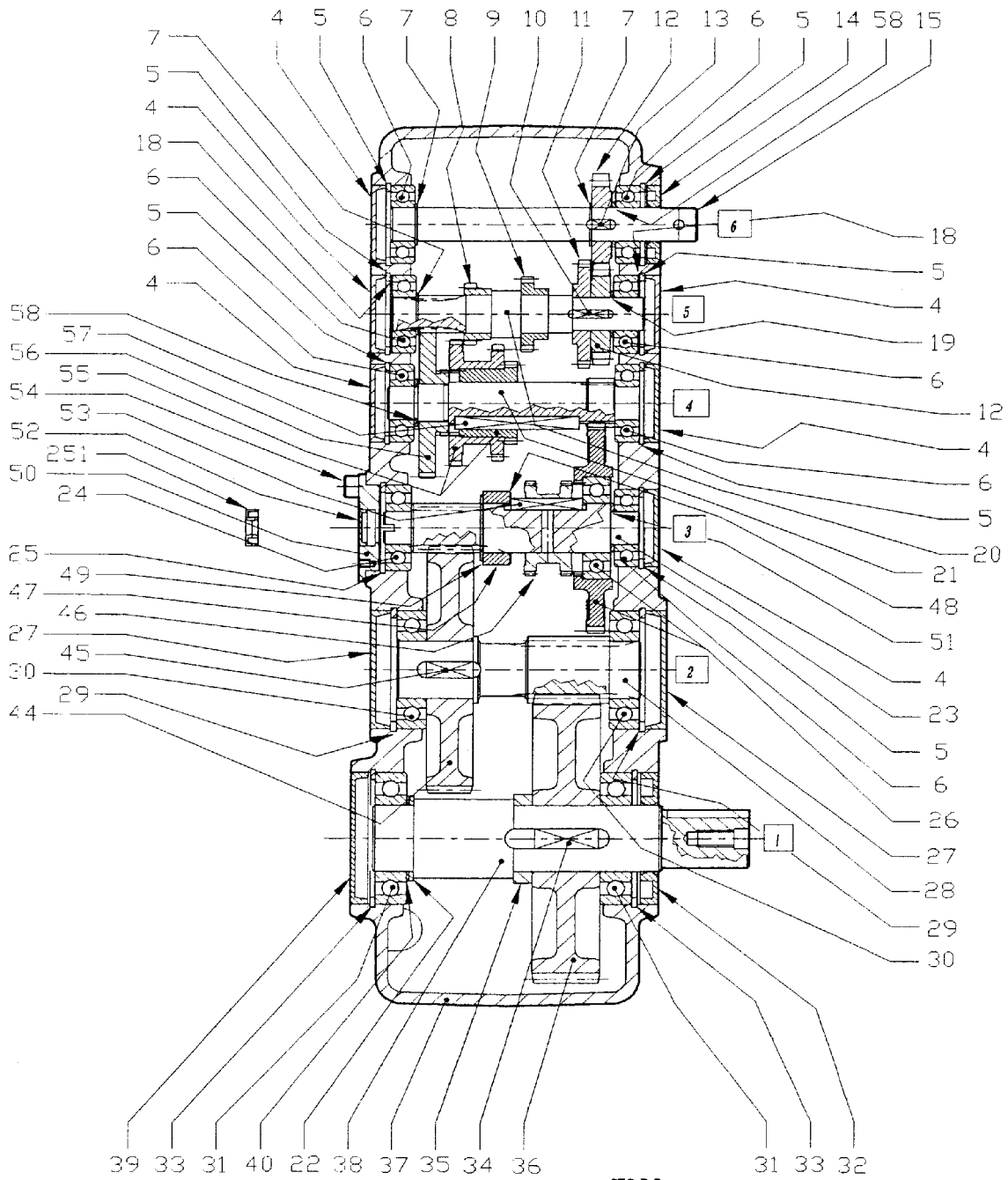


**SERIES 600-MAJOR JX TROLLEY (VERSION '98)**



POS.	Page	Description	N.Pieces	Item Number	Notes	
1	30	Connecting Tube PET-Trolley	1	70010251		
2	30	Trolley Body	1	70010252		
3	30	Head	1	70010254		
4	30	Leg Support	2	70010255		
5	30	Drawbar	1	70010258		
6	30	Leg	2	70010253		
7	30	Weight	2	BILLETTE	.4 meters	
8	30	Wheel 125/70 D15	2	5800104	pn	
9	30	Spindle Assembly 35 L=200	2	5800103		
10	30	Lifting Stabilizer Bracket	2	70010256		
11	30	O-Ring 6412	1	7000115		
12	30	Barbed Nipple PE	1	5500033	gr - Ø PE	
13	30	Clamp Ø90	1	7000066	Ø PE 90	
	30	Clamp Ø100	1	7000067	Ø PE 100	
	30	Clamp Ø110	1	7000068	Ø PE 110	
	30	Clamp Ø120	1	7000069	Ø PE 120	
	30	Clamp Ø125	1	7000070	Ø PE 125	
	30	Clamp Ø140	1	7000071	Ø PE 140	
14	30	Cap Ø100 Ferrari F	1	5800105	c.15	
15	30	Rubber Ring Ø100 Ferrari	1		c.14	
16	30	Cap 1" FNPT	1	TAPPOSL		
17	30	Gasket	1	58000461		
18	30	Coupler ranger	1	5800044	Ø PE 100-110	
19	30	Head Mounting Bracket	2	70010257		
20	30	Pin	4	5800042		
21	30	R-Clip	4	COOP03AMA		
22	30	Coupler	1	7000065	Ø PE 120-140	
1		----- Trolley Bare 600-700-800 -----				
2						
3						
4	30			1	7001025	
5						
10						
1÷21	30	Trolley Complete	1	CARR7001		





## GEARBOX D-744A (744.020.20)

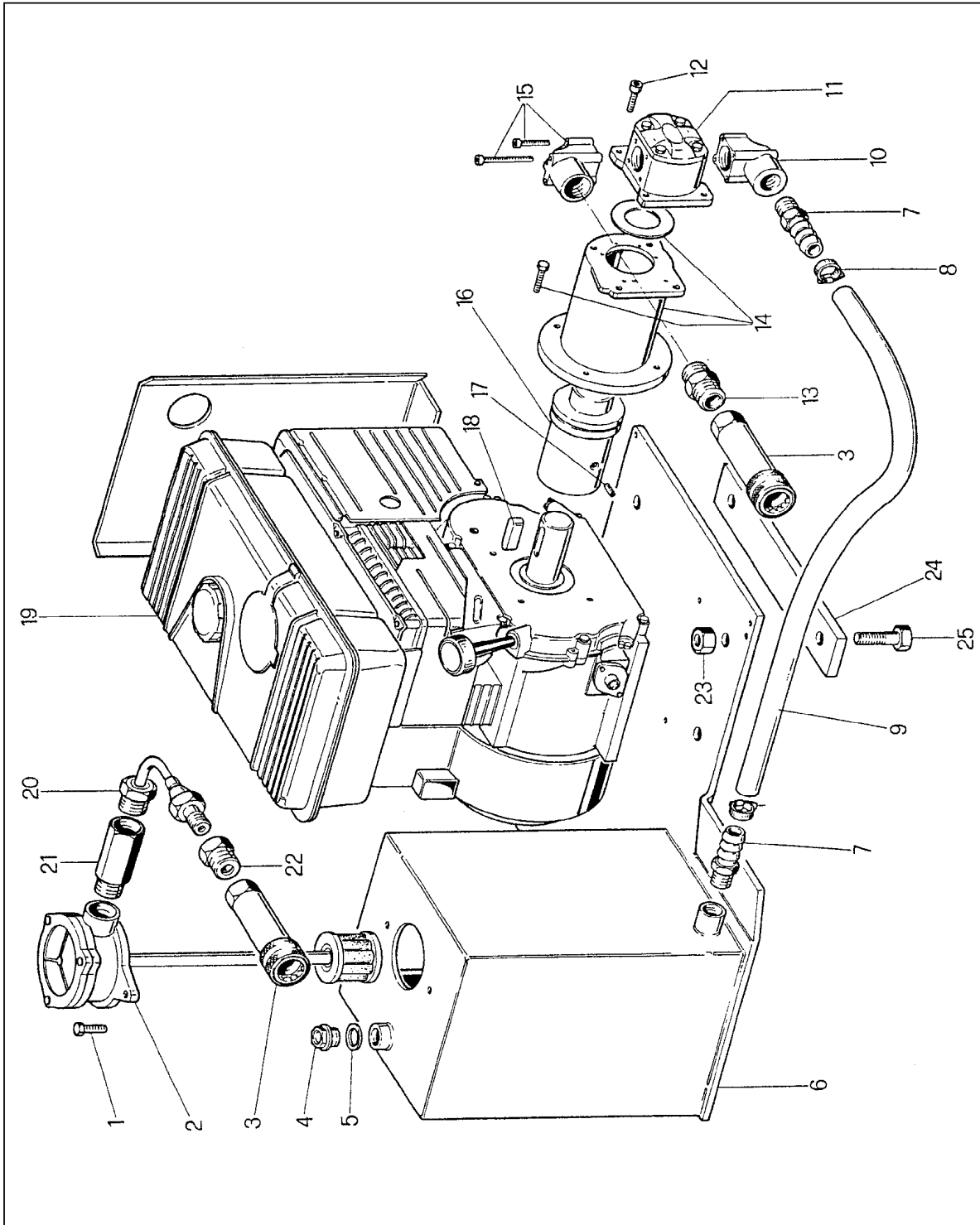


POS.	Page	Description	N.Pieces	Item Number	Notes
1	17	Plug 20	1	01202.069.041	
2	17	Spring	2	0.721.7101.00	
3	17	Serial Plate "COMER"	1	0.124.7101.00	
4	17	Oil Plug 47x7	6	8.7.0.01362	
5	17	Circlip I47	7	8.5.2.01290	
6	17	Bearing 6204	7	8.0.1.00405	
7	17	Circlip E20	3	8.5.1.00261	
8	17	Cylindrical Gear Z=22, M1.5	1	0.735.5001.00	
9	17	Cylindrical Gear Z=24, M1.75	1	0.744.5015.00	
10	17	Key 5x5x20	1	8.4.1.01617	
11	17	Crown Gear Z=35, M1.75	1	0.744.6007.00	
12	17	Cylindrical Gear Z=15, M3.5	2	0.744.6008.00	
13	17	Key 5x5x10	1	8.4.1.01511	
14	17	Oil Seal 20x47x7	1	8.7.3.01395	
15	17	Input Shaft	1	0.744.2009.00	
16	17	Bolt TE M8x18 (8.8)	6	8.1.1.01676	
17	17	Spacer 48x35.3x1.3	1	0.259.7513.00	
18	17	Spacer 40.3x46.7	2	0.457.7500.00	
19	17	Spacer L=4	1	0.744.7104.00	
20	17	Pinion Shaft Z=12, M1.5	1	0.744.5011.00	
21	17	Pinion Shaft Z=14, M1.75	1	0.744.5009.00	
22	17	Spacer 51.5x40.3x2.5	1	0.244.7525.00	
23	17	Pinion Shaft Z=12, M2	1	0.744.5001.00	
24	17	Bearing 6304	1	8.0.1.00035	
25	17	Circlip I52	1	8.5.2.00038	
26	17	Gear with Bearing 6206	1	2.744.6010.00	
27	17	Oil Plug 72x10	2	8.7.0.00744	
28	17	Pinion Shaft Z=12, M2.75	1	0.744.5004.00	
29	17	Circlip I72	2	8.5.2.00131	
30	17	Bearing 6207	2	8.0.1.00870	
31	17	Bearing 6208	2	8.0.1.00871	
32	17	Oil Seal 40x80x10	1	8.7.3.00027	
33	17	Circlip I80	2	8.5.2.00030	
34	17	Key 12x8x35	1	8.4.1.00966	
35	17	Spacer	1	0.285.7102.00	
36	17	Crown Gear Z=62, M2.75	1	0.744.6000.00	
37	17	Casing	1	0.744.0302.00	
38	17	Output Shaft	1	0.744.3004.00	
39	17	Oil Plug 80x10	1	8.7.0.00790	
40	17	Spacer 51.5x40.3x1	1	0.244.7510.00	
41	17	Handle	1	1.721.7002.00	
42	17	Rollpin 5x24	1	8.4.5.00934	
43	17	Lever	1	2.744.7013.00	
44	17	Crown Gear Z=73, M2	1	0.744.6001.00	
45	17	Key 10x8x25	2	8.4.1.00992	
46	17	Bushing	1	0.744.7000.00	
47	17	Spacer	1	0.744.7106.00	

## GEARBOX D-744A (744.020.20)



POS.	Page	Description	N.Pieces	Item Number	Notes
48	17	Spacer 44x30.3x1	1	0.102.7510.00	
49	17	Circlip E30 H=2	1	8.5.1.01082	
50	17	Cover	1	0.735.1300.00	
51	17	Spacer 20.5x34.8x1	1	0.742.7510.00	
52	17	Oil Plug 22x4	1	8.7.0.01343	
53	17	Key tempered	1	0.744.7100.00	
54	17	Bolt TCEI M8x12 (8.8)	2	8.1.2.01718	
55	17	Compound Gear	1	2.744.5007.00	
56	17	Crown Gear Z=58, M1.5	1	0.744.6003.00	
57	17	Key tempered	1	0.744.7101.00	
58	17	Spacer 32x20.3x2.5	2	0.104.7525.00	
59	17	Oil Sight Glass 3/8" GAS	1	8.6.4.00273	
60	17	Drain Plug 3/8" GAS	1	8.6.5.00006	
61	17	Circlip I62	2	8.5.2.00007	
62	17	Oil Plug 62x10	1	8.7.0.00743	
63	17	Bearing 6007	2	8.0.1.00000	
64	17	Cylindrical Gear Z=34, M2	1	0.744.5002.00	
65	17	P.T.O. Shaft 1-3/8" 6 spline	1	0.744.3001.00	
66	17	Pin	1	0.744.7005.00	
67	17	Flat Washer 8.4x14	2	8.3.2.00439	
68	17	Threaded Knob M8 F	1	8.9.1.01713	
69	17	Spring	1	0.735.7103.00	
70	17	Brake Band	1	2.744.7006.00	
71	17	Brake Drum	1	0.744.7004.00	
72	17	Circlip E35	2	8.5.1.00005	
73	17	Key 10x8x25	1	8.4.1.00232	
74	17	Oil Seal 35x62x10	1	8.7.3.00003	
75	17	O-Ring 3062	2	8.7.6.00191	
76	17	Cover	1	2.744.1310.00	
77	17	Spring Washer 40x20.4x1.5	1	8.5.5.01316	
78	17	Cotter Pin 4x35	1	8.4.7.00760	
79	17	Lever Combo 4 speed	1	2.744.7002.00	
80	17	Castle Nut M20x1.5	1	8.2.2.00997	
81	17	Ball 5/16" (7.9 mm)	2	8.5.9.00166	
82	17	Oil Breather 1/2" GAS	1	8.6.7.00269	
83	17	Locking Nut M20x1.5	1	0.744.7105.00	
84	17	Spacer 32x20.3x1	1	0.104.7510.00	
251	17	Oil Seal 8x22x7	1	8.7.3.01396	

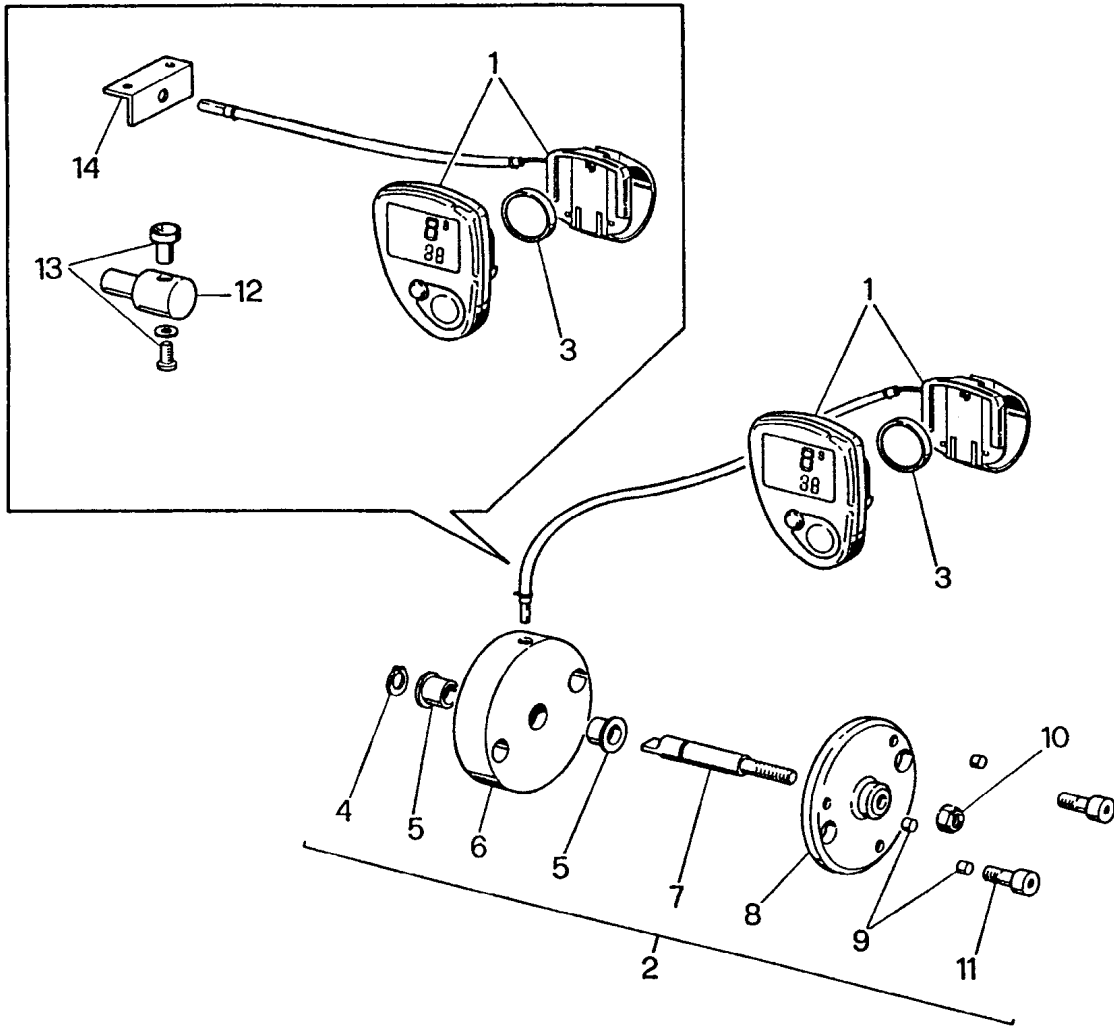


## HYDRAULIC ENGINE-PUMP KIT



POS.	Page	Description	N.Pieces	Item Number	Notes
1	44	Bolt TCEI M6x30	2		
2	44	Filter Assembly RFM4 3/8"F	1	7000318	
3	44	Tractor Coupler 1/2" F	2	9900104	
4+5	44	Oil Plug with copper washer 1/2"	1	7000321	
6+24	44	Oil Tank and Mounting Kit	1	7000064	
7	44	Threaded hosetail 3/8" mnpt x Ø16 hstl	1	7000319	
8	44	Clamp ABA 25	2	2000111	
9	44	Rubber Hose R2 16x23	1	7000320	.32 meters
10	44	Aluminum Elbow 3/8" F	1	7000317	
11	44	Hydraulic Pump GR1 1.6 cmc/giro	1	7000316	
12	44	Bolt TCEI M6x30	4		
13	44	Nipple 1/2"-3/8"	1	8900109	
14+16	44	Hydraulic Pump Coupler and Mount GR1	1	7001325	B&S 6.5hp
	44	Hydraulic Pump Coupler and Mount GR1	1	7000325	B&S 5.5hp
17	44	Set Screw M8x10	1		c.16
18	44	Key	1	7000326	
19	44	Engine Briggs&Stratton 6.5hp	1	7000324	
20	44	Elbow 90 degree 3/8" F-F	1	7000323	
21	44	Extension M-F 3/8" L=40	1	7000322	
22	44	Nipple 3/8"-1/2"	1	8900109	
23	44	Nut M12	4		
25	44	Bolt TE M12x180	4		





# TACHOMETER VDO EURO/SPRINT



POS.	Page	Description	N.Pieces	Item Number	Notes
1	22	Tachometer VDO Euro/Sprint	1	5800501	
2	22	Velocity Sensor Complete	1	5800508	
3	22	Battery	1	5800504	
4	22	Circlip E8	1	5800503	
5	22	Bushing	2	5800502	
6	22	Sensor Support	1	5800052	
7	22	Velocity Sensor Shaft	1	5800054	
8	22	Magnet Support	1	5800053	
9	22	Magnet	3	5800505	
10	22	Nut/Nylock M5	1	5800211	
11	22	Bolt TCEI M5x12	2		
12	22	Single Magnet Support	1	8900034	
13	22	Magnet VDO	1		
14	22	Bracket	1	8900105	
1		\\			
2	22	Tachometer Complete (Euro)	1	TACHVDOEURO	
3		/			
		/			
1		\\			
3		\\			
12	22	Tachometer Complete (Sprint)	1	TACHVDOSPRINT	
13		/			
14		/			