

SERIES 800 JX



POS.	Page	Description	N.Pieces	Item Number	Notes
1	7	Lifting Frame 800	1	8000011	f.800387
		Lifting Frame 800 version 2001	1	8000035	d.800388
2	7	Chain #19	1	CATGENOV	1.1 meters
3a	7	Mechanical Leg	1	8000020	dx
3b	7	Hydraulic Leg	1	8000022	op-dx
4	7	Bracket mod. "J"	1	7000011	f.800387
5	7	Bushing mod. "J"	2	7000012	
6	7	Roller PVC	1	7000026	
7	7	Hoseguide fork mod. 800	1	8000010	
8	7	Roller Shaft	2	5900007	
9a	7	Mechanical Leg	1	8000020	sx
9b	7	Hydraulic Leg	1	8000022	sx
10	7	Cursor Finger Ø 30	1	5800007	f.Dic.95
		Cursor Finger Ø 35	1	5800050	d.Gen.96
11	7	Circlip I 30	1	4000113	f.Dic.95
		Circlip I 35	1	5800144	d.Gen.96
12	7	Grease Zirk M6	2	5800112	
13	7	Cursor	1	5800006	f.800387
		Cursor senza aletta	1	5801006	d.800388
14	7	Hoseguide Bar	1	7000008	
15	7	PET Hose	1	TUBPOL...	Ø PE
16	7	Bearing UCP 206	2	5800118	f.800387
		Bearing UCPA 206 (version 2001)	2	6000104	d.800388
17	7	Sprocket 1/2" S (for hoseguide bar)	1	5500037	z...
18	7	Chain 1/2"	1	5800119	3.56 meters
19	7	Master Link 1/2" S	1	5800120	
20	7	Primary Chain Cover	1	8000006	
21	7	Bearing UCP 210	1	7000111	
22	7	Sprocket 1/2" S (for reel shaft)	1	5500037	z...
23	7	Upper Hydraulic Pin	2	7000028	
24	7	Reelside Cover ABS	16	8000005	
25	7	Hydraulic Spindle Assembly	2	8000018	dx-sx
		Hydraulic Spindle Assembly 4 wheel	2	8000023	op-dx-sx
26	7	Lower Hydraulic Pin	2	7000029	
27	7	Locking Pin	2	5800043	
28	7	Wheel 11.5/80-15.3 12 Ply 6 lug	2	8000105	pn
29	7	Turntable Bearing	1	8000107	
30	7	Turntable Gear DE 1239 Z 175	1	7000402+7000107	op-f.800387
		Turntable Gear DE 1239 Z 175 with bearing	1	8000033	op-d.800388
31	7	Sprocket Z13 M7	1	5800402	op-f.800387
		Sprocket Z13 M7	3	7000403	op-d.800388
32	7	Turntable Base S.800	1	8000008	
34	7	Hydraulic Chassis Jack S.800	1	8000021	
35	7	Manual Hydraulic Chassis Jack	1	8000009	
36	7	Towing Hitch Pin	2	7000032	
37	7	Towing Hitch	1	8000019	
		Towing Hitch clevis 800	1	8001019	op

SERIES 800 JX

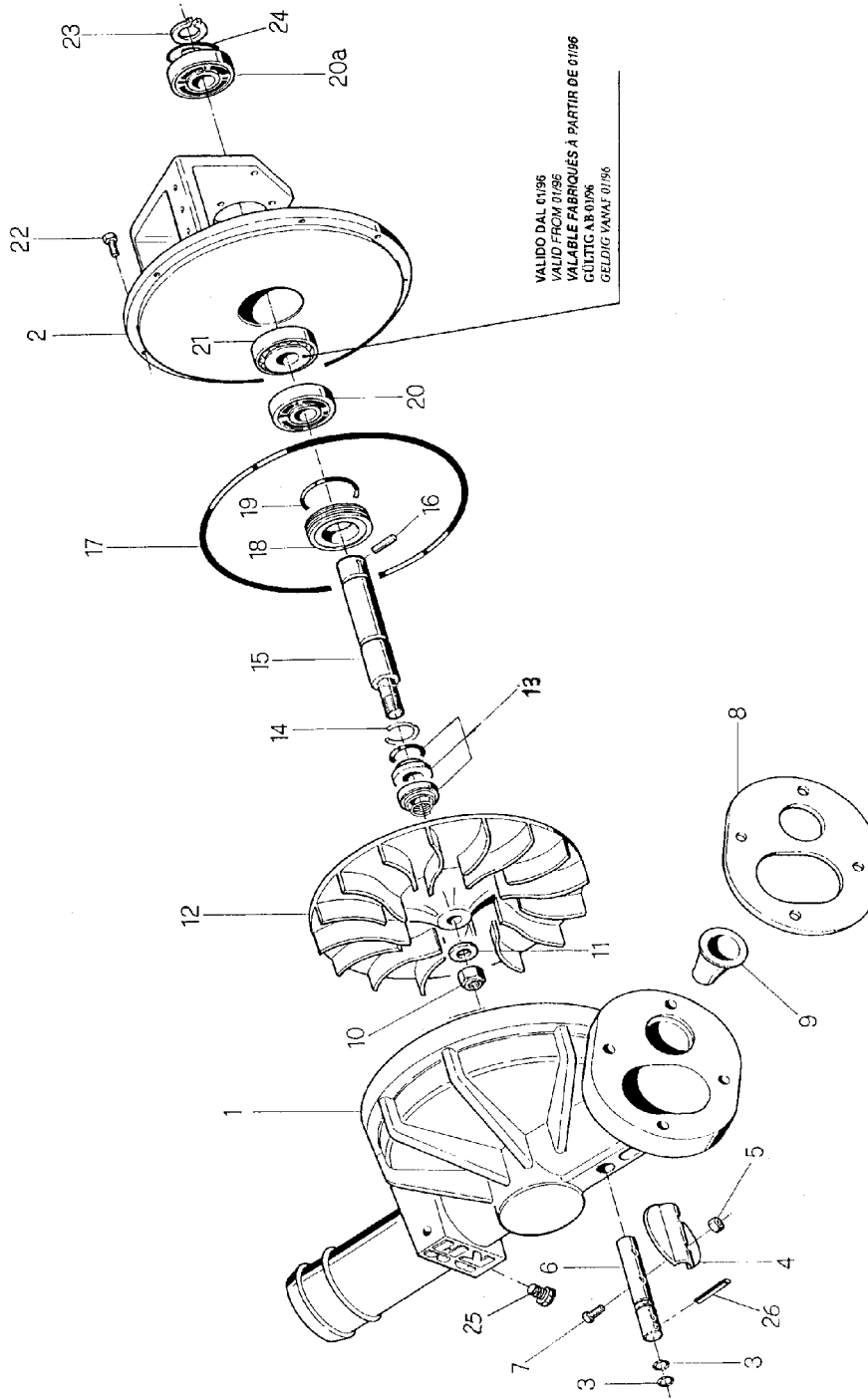


POS.	Page	Description	N.Pieces	Item Number	Notes
38	7	Chassis series 800	1	8000007	
39	7	P.T.O. Handle	1	5800041	
40	7	Bearing	1	7000102	
41	7	Chain tensioner Sprocket Z12 1"	1	7000022	
42	7	Bolt TE M20x90	1		c.46
43	7	Anti-Return Pawl	1	70000022	f.800387
		Anti-Return Pawl version 2001	1	8000037	d.800388
44	7	Overwind Bar mod. 800	1	8000014	
45	7	Chain Tensioner	1	7000010	
46	7	Chain Tensioner Bushing	1	7000048	c.42
47	7	Chain 1" S FKK	1	7000103	9.65 meters
48	7	Spring	1	5700013	
49	7	Gearbox Lever mod. "JX"	1	7000014+7000052	
50	7	Cover	1	7000033	
51	7	Cable L=600	1	5800124	
52	7	Angle Adapter 66/2 1/1	1	5800125	
53	7	Tachometer VDO electronic complete	1	TACHVDOEURO	v.pag.22
54	7	Oil Seal 8x22x7	1	5800140	i.8.7.3.01396
55	7	Brake Band Comer	1	5800143	i2.744.7006.00
56	7	Tach DX TL 90.0150	1	5800123	rif.800
57	7	Gearbox Command Rod	1	8000012	
58	7	Threaded Knob 6 lobe	1	5800102	
59	7	Clamp PE Ø 100 (90-105)	3	5900102	
		Clamp PE Ø 110 (104-115)	3	5800114	
		Clamp PE Ø 120 (115-130)	3	8000120	
		Clamp PE Ø 125 (120-134)	3	8000111	
60	7	Barbed Nipple	1	5500033	Ø PE
61	7	Reel Complete	1	8000001	
62	7	Drum Tooth M16 x 60 with nut	16	7000036	
63	7	Bearing Support 6222	1	8000003	
64	7	Bearing 6222	1	8000108	
65	7	Circlip E 110	1	8000110	
66	7	Sealing Ring UM 110-125-12	2	8000106	
67	7	Inlet Elbow with flange	1	8000013+8000004	
68	7	Drive Chain Cover	1	7000038	
69	7	Command Rod Guide	1	7000015	
70	7	Gearbox Oil Breather	1		i8.6.7.00269
71	7	Upper Roller PVC	1	7000059	rif.800
72	7	Rubber Grip 25x10	2	5800109	
73	7	Gearbox Comer D 742 A	1	8000101	f.Dic.94-v.pag.18
		Gearbox Comer D 744 A	1	7000101	d.Gen.95-v.pag.17
74	7	Drive Sprocket Z12 1" S	1	8000016	f.Dic.94
		Drive Sprocket Z12 1" S	1	8001016	d.Gen.95
		Drive Sprocket Z15 1" S (for higher speeds)	1	8001016SP	op
75	7	Sprocket Cover	1	7000039	
76	7	P.T.O. Cover	1	5500126	
77	7	Coupler Ball Anfor Ø120 M	1	8000109	gr-f.800299

SERIES 800 JX



POS.	Page	Description	N.Pieces	Item Number	Notes
77	7	Coupler Ball Bauer Ø133 F	1	8001109	gr-d.800300
78	7	Rubber Ring Anfor Ø 120	2	8000112	f.800299
		Rubber Ring Bauer Ø 133	2	8001112	d.800300
79	7	Coupler with hosetail Anfor Ø 120 F	2	8000102	f.800299
		Coupler with hosetail Bauer Ø 133 M	2	8001102	d.800300
80	7	Clamp 120 P	4	8000103	
81	7	Rubber Hose 120x134	1	8000104	4.5 meters
82	7	Cap 3" F zinc	1	8000121	
83	7	Inlet Cone for T3 turbine (Anfor Ø 120 M)	1	8000015	f.800299
		Inlet Cone for T3 turbine (Bauer Ø 133 F)	1	8001015	d.800300
84	7	Turbine T3	1	TUR580	v.pag.14
85	7	Connector gearbox-turbine	1	5800029	
86	7	Pressure Gauge	1	5800115	
87	7	Clamp 104-115	4	5800114	
88	7	Rubber Hose 102x116	1	5800113	.8 meters
89	7	By-Pass Stop	1	5800030	
90	7	By-Pass Command Lever	1	7000016	
91	7	Compensation Rod	1	7000013	f.80087
		Compensation Rod	1	7001013	d.80088
92	7	By-Pass Stop	1	5800058	d.80088
93	7	Turbine Cover PVC	1	7000049	
94	7	Front Cover PVC	1	7000050	
95	7	R-Clip Ø 5	4		
96	7	Back Primary Chain Cover	2	5700028	
97	7	Circlip E 50	1	7000109	
98	7	Circlip E 25	8	7000114	
99	7	Master Link 1" S	1	7000104	
100	7	Front Cover Support	1	7000051	
101	7	Terret Base Complete	1	8000002	f.800387
		Terret Base Complete version 2001	1	8001002	d.800388
102	7	Drive Sprocket Spacer 1" 1/4	1	10000013	f.Dic.94
		Drive Sprocket Spacer 1"	1	7000073	d.Gen.95
103	7	Drive Sprocket Washer 1" 1/4	1	9000032	f.Dic.94
		Drive Sprocket Washer 1"	1	7000072	d.Gen.95
104	7	Rollpin	2	5800205	
105	7	Stainless Steel Bushing	1	8900024	d.800321
106	7	O-Ring 2400	1	8900104	d.800321
107	7	Lug Nut	12	5800152	
108	7	Hydraulic Leg version 2001	2	8000034	d.800388
109	7	Hydraulic Cylinder version 2001	2	6000033	d.800388
110	7	Crossover Pipe 133 Bauer	1	8000042	op
		Crossover Pipe 108 Bauer	1	7000083	op
111	7	Rubber Ring 133 Bauer	2	8001112	op
		Rubber Ring 108 Bauer	2	5801142	op
112	7	Plug 133 Bauer	1	8000122	op
		Plug 108 Bauer	1	8900112	op



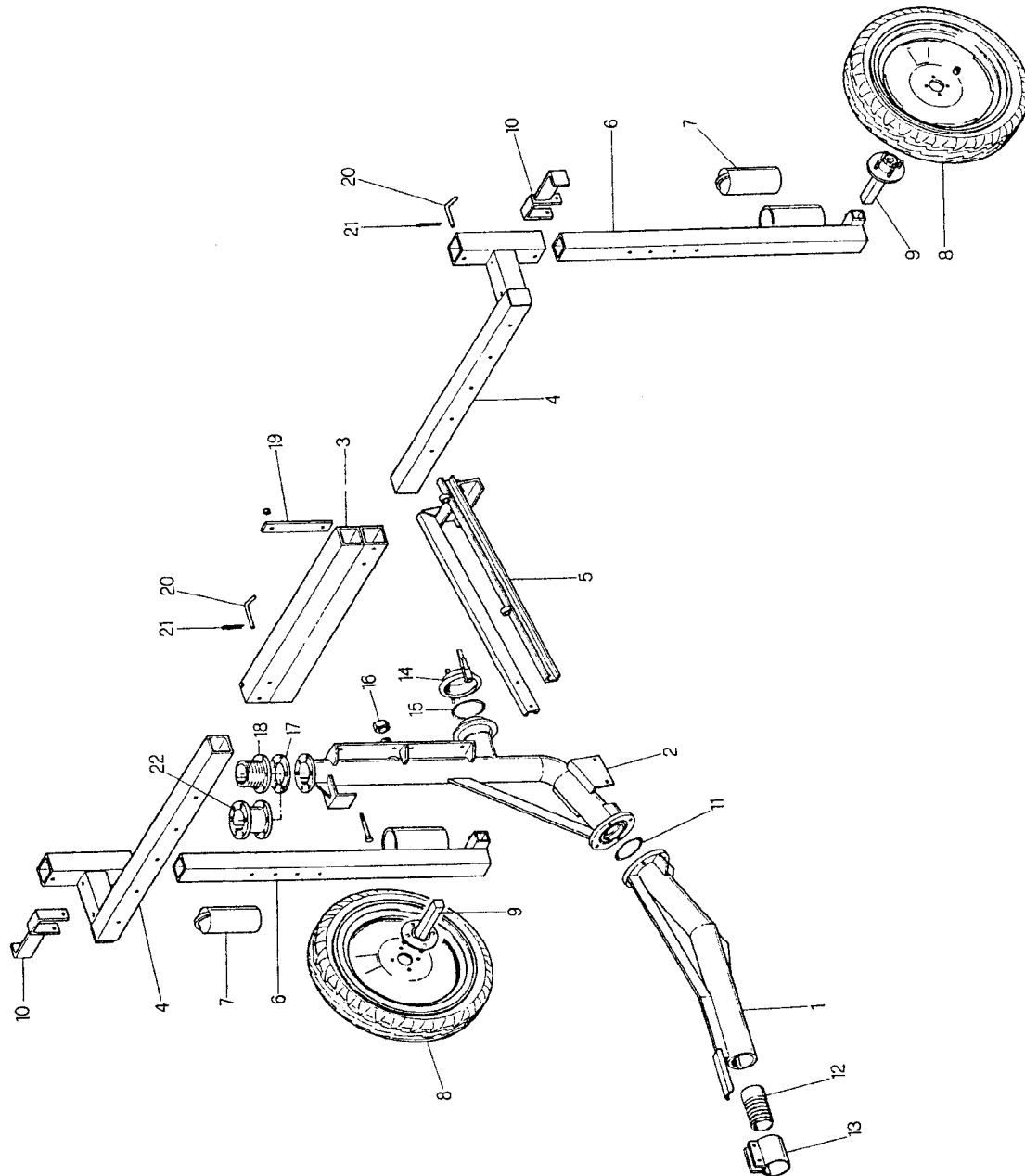
TURBINE T3(cod.TUR580)-T3.1 FLANGED (cod.TUR5801)



POS.	Page	Description	N.Pieces	Item Number	Notes
1	14	Turbine Body T3	1	5800021	rif.T3
	14	Turbine Body T3.1	1	5801021	rif.T3.1
2	14	Cover	1	5800020	
3	14	O-Ring 108	2	5800213	
4	14	Flapper	1	5800028	
5	14	Nut S.S. M5	2	5800211	
6	14	By-Pass Valve Shaft	1	5800027	
7	14	Bolt M5x20 S.S.	2	5800210	
8	14	Rubber Gasket	1	5800025	
9	14	Nozzle	1	5800214	Ø ...
10	14	Locking Nut M16	1	5800209	
11	14	Spring Washer S.S. 17x30x3	1	5800218	
12	14	Impeller	1	5800023	
13	14	Mechanical Seal standard	1	5800201	8009201
	14	Mechanical Seal stainless	1	5800201W	op
14	14	Ring A25	1	5800202	
15	14	Shaft S.S.	1	5800024	
16	14	Rollpin 6x50	1	5800205	
17	14	O-Ring 41050	1	5800204	
18	14	Mechanical Seal Spacer PVC	1	5800022	
19	14	O-Ring 3181	1	5800203	
20	14	Bearing	1	5800215	
20a	14	Bearing INA	1	5801215	f.31/12/95
	14	Bearing	1	5800215	d.01/01/96
21	14	Bearing 30205	1	5800217	d.01/01/96
22	14	Bolt TCEI M8x25	12	5800207	
23	14	Circlip E25	1	5800206	
24	14	Washer INA	1	5800216	
25	14	Plug zinc GJ 1/4"	1	5800208	
26	14	Rollpin 5x25	1	5800212	
2		----- Turbine Kit T3-T3.1			
10					
11					
12					
13					
14					
15					
16	14			1	TUR580KIT
17					
18					
19					
20					
20a					
21					
23					
24					

SERIES 600-MAJOR JX TROLLEY (VERSION '98)
(Page30)

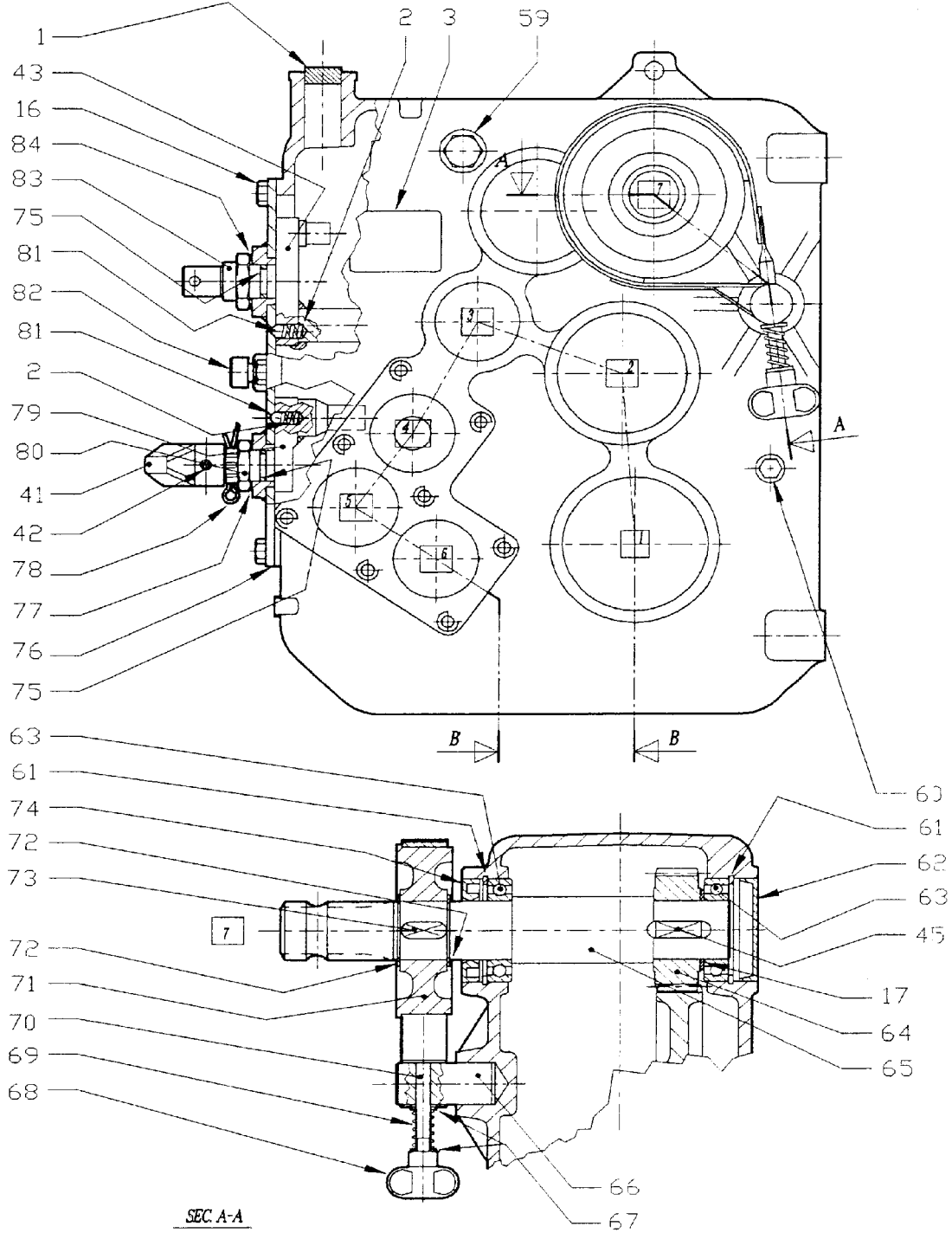
ABI
irrigation

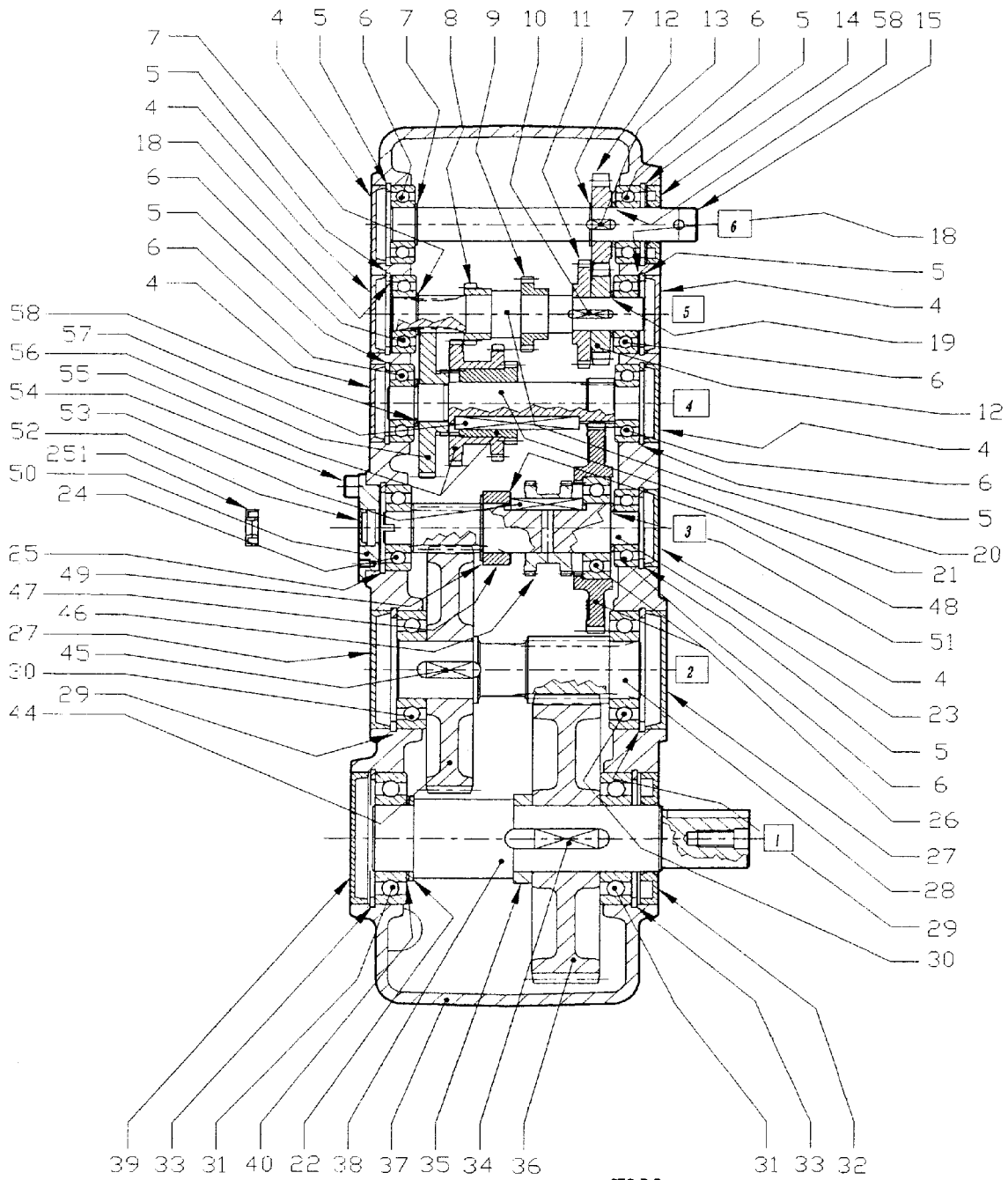


SERIES 600-MAJOR JX TROLLEY (VERSION '98)



POS.	Page	Description	N.Pieces	Item Number	Notes
1	30	Connecting Tube PET-Trolley	1	70010251	
2	30	Trolley Body	1	70010252	
3	30	Head	1	70010254	
4	30	Leg Support	2	70010255	
5	30	Drawbar	1	70010258	
6	30	Leg	2	70010253	
7	30	Weight	2	BILLETTE	.4 meters
8	30	Wheel 125/70 D15	2	5800104	pn
9	30	Spindle Assembly 35 L=200	2	5800103	
10	30	Lifting Stabilizer Bracket	2	70010256	
11	30	O-Ring 6412	1	7000115	
12	30	Barbed Nipple PE	1	5500033	gr - Ø PE
13	30	Clamp Ø90	1	7000066	Ø PE 90
	30	Clamp Ø100	1	7000067	Ø PE 100
	30	Clamp Ø110	1	7000068	Ø PE 110
	30	Clamp Ø120	1	7000069	Ø PE 120
	30	Clamp Ø125	1	7000070	Ø PE 125
	30	Clamp Ø140	1	7000071	Ø PE 140
14	30	Cap Ø100 Ferrari F	1	5800105	c.15
15	30	Rubber Ring Ø100 Ferrari	1		c.14
16	30	Cap 1" FNPT	1	TAPPOSL	
17	30	Gasket	1	58000461	
18	30	Coupler ranger	1	5800044	Ø PE 100-110
19	30	Head Mounting Bracket	2	70010257	
20	30	Pin	4	5800042	
21	30	R-Clip	4	COOP03AMA	
22	30	Coupler	1	7000065	Ø PE 120-140
1					
2					
3					
4	30	Trolley Bare 600-700-800	1	7001025	
5					
6					
10					
1÷21	30	Trolley Complete	1	CARR7001	





GEARBOX D-744A (744.020.20)

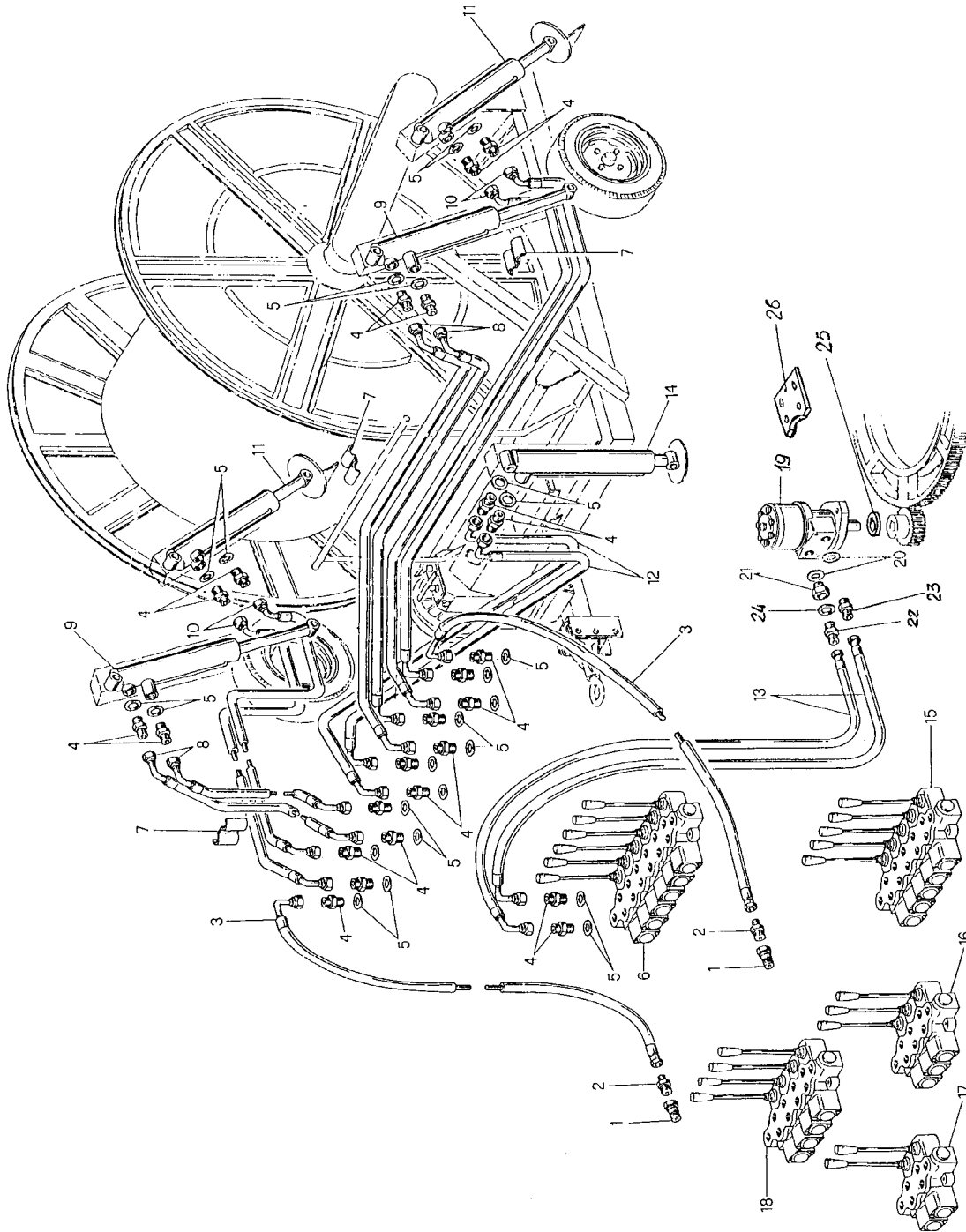


POS.	Page	Description	N.Pieces	Item Number	Notes
1	17	Plug 20	1	01202.069.041	
2	17	Spring	2	0.721.7101.00	
3	17	Serial Plate "COMER"	1	0.124.7101.00	
4	17	Oil Plug 47x7	6	8.7.0.01362	
5	17	Circlip I47	7	8.5.2.01290	
6	17	Bearing 6204	7	8.0.1.00405	
7	17	Circlip E20	3	8.5.1.00261	
8	17	Cylindrical Gear Z=22, M1.5	1	0.735.5001.00	
9	17	Cylindrical Gear Z=24, M1.75	1	0.744.5015.00	
10	17	Key 5x5x20	1	8.4.1.01617	
11	17	Crown Gear Z=35, M1.75	1	0.744.6007.00	
12	17	Cylindrical Gear Z=15, M3.5	2	0.744.6008.00	
13	17	Key 5x5x10	1	8.4.1.01511	
14	17	Oil Seal 20x47x7	1	8.7.3.01395	
15	17	Input Shaft	1	0.744.2009.00	
16	17	Bolt TE M8x18 (8.8)	6	8.1.1.01676	
17	17	Spacer 48x35.3x1.3	1	0.259.7513.00	
18	17	Spacer 40.3x46.7	2	0.457.7500.00	
19	17	Spacer L=4	1	0.744.7104.00	
20	17	Pinion Shaft Z=12, M1.5	1	0.744.5011.00	
21	17	Pinion Shaft Z=14, M1.75	1	0.744.5009.00	
22	17	Spacer 51.5x40.3x2.5	1	0.244.7525.00	
23	17	Pinion Shaft Z=12, M2	1	0.744.5001.00	
24	17	Bearing 6304	1	8.0.1.00035	
25	17	Circlip I52	1	8.5.2.00038	
26	17	Gear with Bearing 6206	1	2.744.6010.00	
27	17	Oil Plug 72x10	2	8.7.0.00744	
28	17	Pinion Shaft Z=12, M2.75	1	0.744.5004.00	
29	17	Circlip I72	2	8.5.2.00131	
30	17	Bearing 6207	2	8.0.1.00870	
31	17	Bearing 6208	2	8.0.1.00871	
32	17	Oil Seal 40x80x10	1	8.7.3.00027	
33	17	Circlip I80	2	8.5.2.00030	
34	17	Key 12x8x35	1	8.4.1.00966	
35	17	Spacer	1	0.285.7102.00	
36	17	Crown Gear Z=62, M2.75	1	0.744.6000.00	
37	17	Casing	1	0.744.0302.00	
38	17	Output Shaft	1	0.744.3004.00	
39	17	Oil Plug 80x10	1	8.7.0.00790	
40	17	Spacer 51.5x40.3x1	1	0.244.7510.00	
41	17	Handle	1	1.721.7002.00	
42	17	Rollpin 5x24	1	8.4.5.00934	
43	17	Lever	1	2.744.7013.00	
44	17	Crown Gear Z=73, M2	1	0.744.6001.00	
45	17	Key 10x8x25	2	8.4.1.00992	
46	17	Bushing	1	0.744.7000.00	
47	17	Spacer	1	0.744.7106.00	

GEARBOX D-744A (744.020.20)



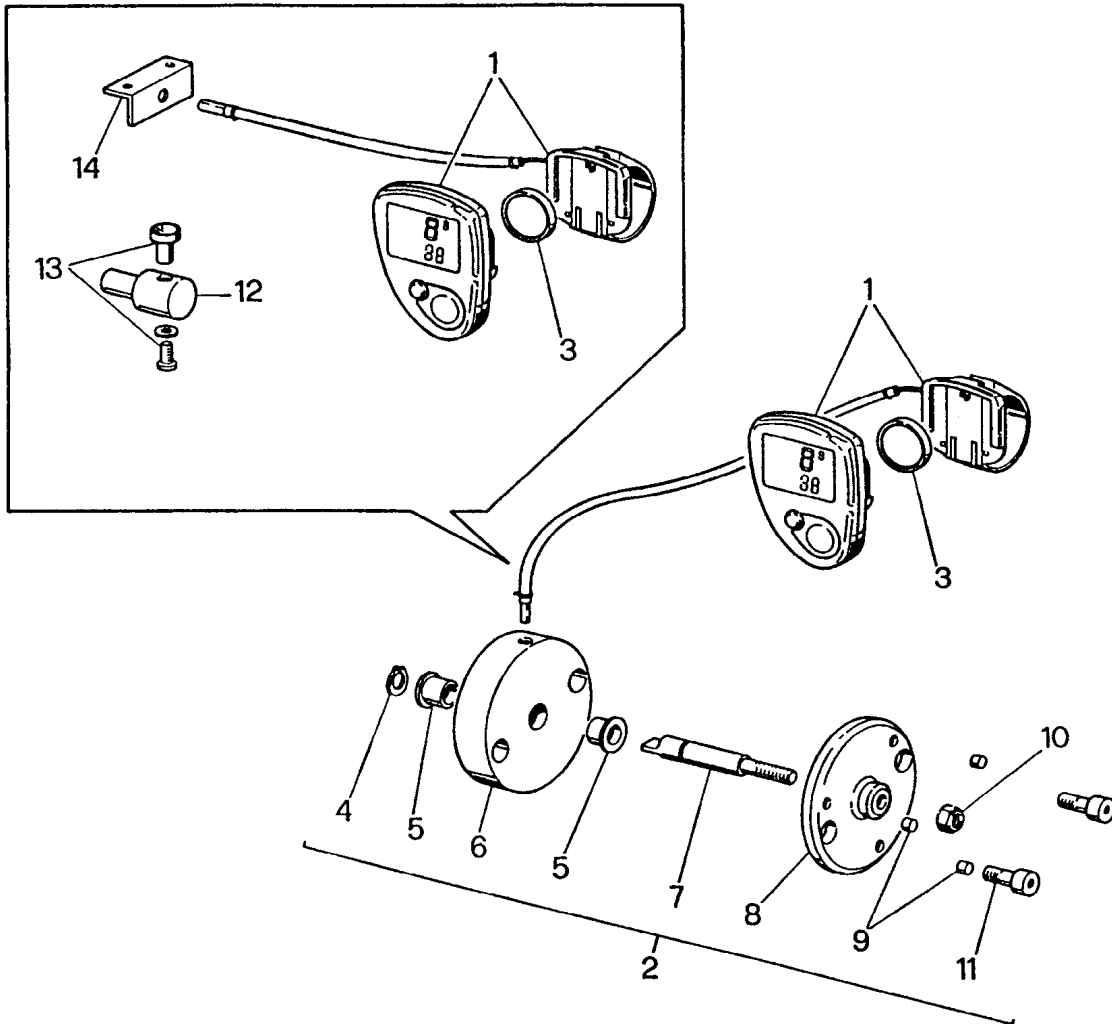
POS.	Page	Description	N.Pieces	Item Number	Notes
48	17	Spacer 44x30.3x1	1	0.102.7510.00	
49	17	Circlip E30 H=2	1	8.5.1.01082	
50	17	Cover	1	0.735.1300.00	
51	17	Spacer 20.5x34.8x1	1	0.742.7510.00	
52	17	Oil Plug 22x4	1	8.7.0.01343	
53	17	Key tempered	1	0.744.7100.00	
54	17	Bolt TCEI M8x12 (8.8)	2	8.1.2.01718	
55	17	Compound Gear	1	2.744.5007.00	
56	17	Crown Gear Z=58, M1.5	1	0.744.6003.00	
57	17	Key tempered	1	0.744.7101.00	
58	17	Spacer 32x20.3x2.5	2	0.104.7525.00	
59	17	Oil Sight Glass 3/8" GAS	1	8.6.4.00273	
60	17	Drain Plug 3/8" GAS	1	8.6.5.00006	
61	17	Circlip I62	2	8.5.2.00007	
62	17	Oil Plug 62x10	1	8.7.0.00743	
63	17	Bearing 6007	2	8.0.1.00000	
64	17	Cylindrical Gear Z=34, M2	1	0.744.5002.00	
65	17	P.T.O. Shaft 1-3/8" 6 spline	1	0.744.3001.00	
66	17	Pin	1	0.744.7005.00	
67	17	Flat Washer 8.4x14	2	8.3.2.00439	
68	17	Threaded Knob M8 F	1	8.9.1.01713	
69	17	Spring	1	0.735.7103.00	
70	17	Brake Band	1	2.744.7006.00	
71	17	Brake Drum	1	0.744.7004.00	
72	17	Circlip E35	2	8.5.1.00005	
73	17	Key 10x8x25	1	8.4.1.00232	
74	17	Oil Seal 35x62x10	1	8.7.3.00003	
75	17	O-Ring 3062	2	8.7.6.00191	
76	17	Cover	1	2.744.1310.00	
77	17	Spring Washer 40x20.4x1.5	1	8.5.5.01316	
78	17	Cotter Pin 4x35	1	8.4.7.00760	
79	17	Lever Combo 4 speed	1	2.744.7002.00	
80	17	Castle Nut M20x1.5	1	8.2.2.00997	
81	17	Ball 5/16" (7.9 mm)	2	8.5.9.00166	
82	17	Oil Breather 1/2" GAS	1	8.6.7.00269	
83	17	Locking Nut M20x1.5	1	0.744.7105.00	
84	17	Spacer 32x20.3x1	1	0.104.7510.00	
251	17	Oil Seal 8x22x7	1	8.7.3.01396	



SERIES 700-800 JX HYDRAULIC SYSTEM



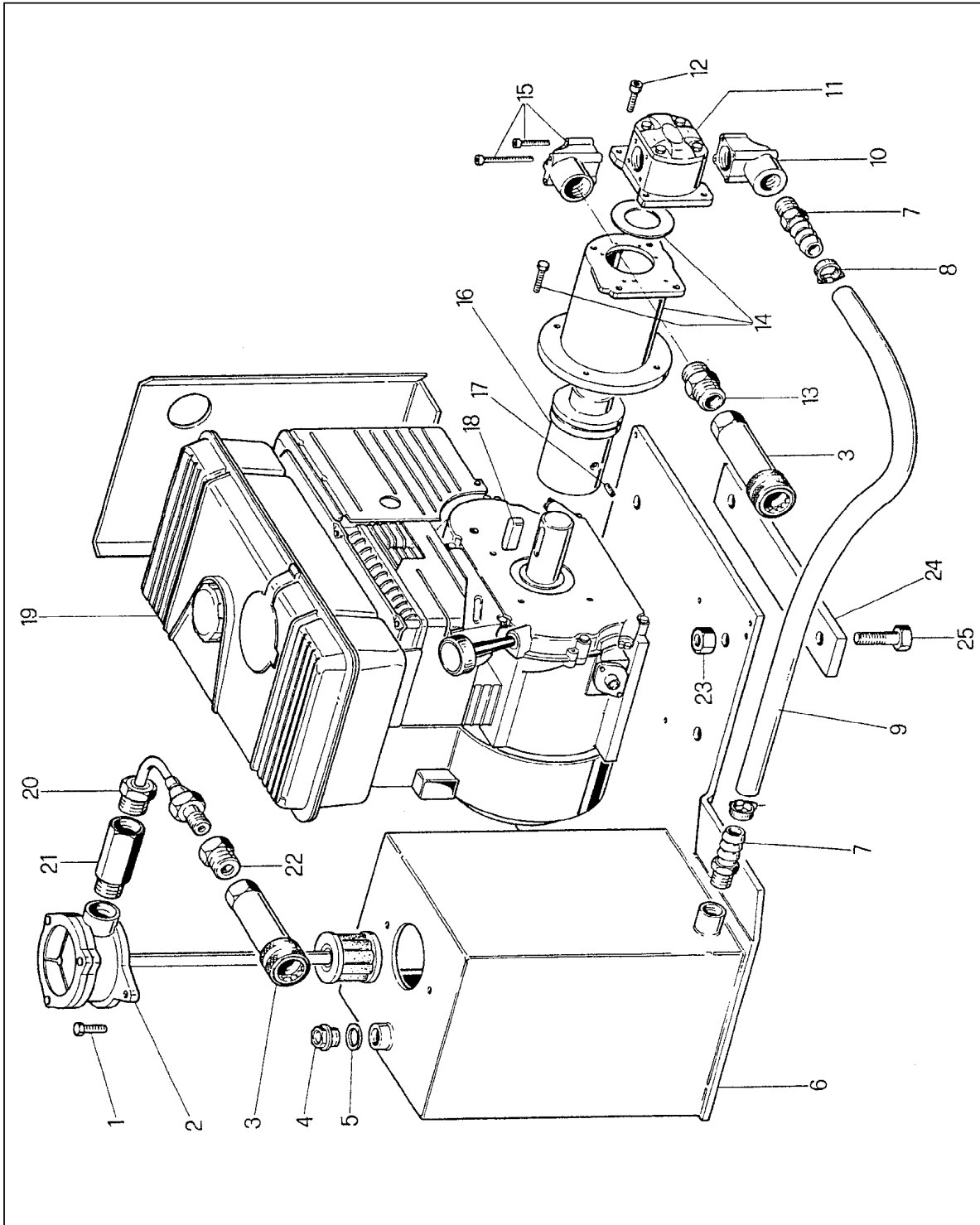
POS.	Page	Description	N.Pieces	Item Number	Notes
1	8	Tractor Coupler 1/2"M	2	7000309	
2	8	Nipple 1/4"-1/2"	2	7000308	
3	8	Hydraulic Hose 1/4" R1 L=10,000	2	7000312	
4	8	Nipple 1/4"-3/8"	22	7000307	
5	8	Copper Washer 3/8"	22		
6	8	Hydraulic Distributor 6 lever DN6	1	7000305	op
7	8	Hose Bracket	6	7000047	
8	8	Hydraulic Hose 1/4" R7 L=2600	4	7000112	
9	8	Hydraulic Cylinder 700	2	7000027	f.700392
	8	Hydraulic Cylinder 700 with valve block	2	7001027	d.700393
	8	Hydraulic Cylinder 800	2	8000017	f.800387
	8	Hydraulic Cylinder 800 with valve block 800	2	8001017	d.800388
10	8	Hydraulic Hose 1/4" R7 L=3900	4	7000310	
11	8	Hydraulic Leg Cylinder 04	2	8000117	f.700392-f.800387
	8	Hydraulic Leg Cylinder	2	6000033	f.700393-f.800388
12	8	Hydraulic Hose 1/4" R7 L=700	2	7000306	
13	8	Hydraulic Hose 1/4" R7 L=1200	2	7000313	op
14	8	Hydraulic Jack Cylinder 04	1	8000117	
15	8	Hydraulic Distibutor 5 lever MD5	1	7000304	
16	8	Hydraulic Distibutor 3 lever MD5	1	7000302	
17	8	Hydraulic Distibutor 2 lever MD5	1	7000301	
18	8	Hydraulic Distibutor 4 lever MD5	1	7000303	
19	8	Hydraulic Motor GFL300	1	7000401	op
20	8	Copper Washer 1/2"	2		op
21	8	Adapter	1	5500042	op
22	8	Nipple 1/4"-1/4"	1	5800129	op
23	8	Nipple 1/4"-1/2"	1	7000308	op
24	8	Copper Washer 1/4"	1		op
25	8	Sprocket Spacer h=12	1	7000404	op-d.700393
26	8	Hydraulic Motor Mounting Bracket	1	9900033	op-d.700393



TACHOMETER VDO EURO/SPRINT



POS.	Page	Description	N.Pieces	Item Number	Notes
1	22	Tachometer VDO Euro/Sprint	1	5800501	
2	22	Velocity Sensor Complete	1	5800508	
3	22	Battery	1	5800504	
4	22	Circlip E8	1	5800503	
5	22	Bushing	2	5800502	
6	22	Sensor Support	1	5800052	
7	22	Velocity Sensor Shaft	1	5800054	
8	22	Magnet Support	1	5800053	
9	22	Magnet	3	5800505	
10	22	Nut/Nylock M5	1	5800211	
11	22	Bolt TCEI M5x12	2		
12	22	Single Magnet Support	1	8900034	
13	22	Magnet VDO	1		
14	22	Bracket	1	8900105	
1		\\			
2	22	Tachometer Complete (Euro)	1	TACHVDOEURO	
3		/			
		/			
1		\\			
3		\\			
12	22	Tachometer Complete (Sprint)	1	TACHVDOSPRINT	
13		/			
14		/			



HYDRAULIC ENGINE-PUMP KIT



POS.	Page	Description	N.Pieces	Item Number	Notes
1	44	Bolt TCEI M6x30	2		
2	44	Filter Assembly RFM4 3/8"F	1	7000318	
3	44	Tractor Coupler 1/2" F	2	9900104	
4+5	44	Oil Plug with copper washer 1/2"	1	7000321	
6+24	44	Oil Tank and Mounting Kit	1	7000064	
7	44	Threaded hosetail 3/8" mnpt x Ø16 hstl	1	7000319	
8	44	Clamp ABA 25	2	2000111	
9	44	Rubber Hose R2 16x23	1	7000320	.32 meters
10	44	Aluminum Elbow 3/8" F	1	7000317	
11	44	Hydraulic Pump GR1 1.6 cmc/giro	1	7000316	
12	44	Bolt TCEI M6x30	4		
13	44	Nipple 1/2"-3/8"	1	8900109	
14+16	44	Hydraulic Pump Coupler and Mount GR1	1	7001325	B&S 6.5hp
	44	Hydraulic Pump Coupler and Mount GR1	1	7000325	B&S 5.5hp
17	44	Set Screw M8x10	1		c.16
18	44	Key	1	7000326	
19	44	Engine Briggs&Stratton 6.5hp	1	7000324	
20	44	Elbow 90 degree 3/8" F-F	1	7000323	
21	44	Extension M-F 3/8" L=40	1	7000322	
22	44	Nipple 3/8"-1/2"	1	8900109	
23	44	Nut M12	4		
25	44	Bolt TE M12x180	4		