

SERIES MAJOR



POS.	Page	Description	N.Pieces	Item Number	Notes
1	9	Reel Complete	1	10000001	f.100014
		Reel Complete	1	10001001	d.100015
		Reel Complete Special (for Ø 140/500 mt.)	1	10002001	op
2	9	Bearing Support 6226	1	9000003	
3	9	Bearing 6226	1	9000103	
4	9	Circlip E 130	1	9000105	
5	9	Sealing Ring UM 130-160-15	2	9000104	
6	9	Grease Zirk M6	1	5800112	
7	9	Inlet Elbow with flange ('97)	1	9000009+9000004	f.100004
		Inlet Elbow with flange ('98)	1	9001009+9000004	d.100005
8	9	Cap 3" F zinc	1	8000121	
9	9	Coupler with hosetail	1	90010091	d.100005
10	9	Clamp 104-115	4	5800114	f.100004
		Clamp 120-134	4	8000111	d.100005
11	9	Rubber Hose 102x116 (.6 meters)	1	5800113	f.100004
		Rubber Hose 120x134 (.9 meters)	1	8000104	d.100005
12	9	Rubber Grip 25x10	2	5800109	
13	9	By-Pass Command Lever	1	7000016	
14	9	Threaded Knob 6 lobe	1	5800102	
15	9	Compensation Rod	1	9001020	
16	9	By-Pass Stop	1	5800058	
17	9	By-Pass Stop	1	5800030	
18	9	Pressure Gauge	1	5800115	
19	9	Turbine T3 (v.pag.14)	1	TUR580	f.100004
		Turbine T3.1 flanged (v.pag.14)	1	TUR5801	f.100005
20	9	Rollpin	3	5800205	
21	9	Coupling gearbox-turbine	1	5800029	
22	9	Gearbox Lever	1	7000014	
23	9	Security Plate	1	10000024	
24	9	Chain Guard	1	10000021	dx
		Chain Guard	1	10000022	sx
25	9	Sprocket Z11 1" 1/4	3	9000015	
		Sprocket Z15 1" 1/4 (for faster speed)	3	9000015SP	op
26	9	Overwind Bar	1	10000014	
27	9	Chain 1" 1/4 doppia ISO 20 B2	1	10000104	.3492 meters
28	9	Master Link 1" 1/4 doppia ISO 20 B2	1	10000105	
29	9	Transmission Shaft	1	10000015	
30	9	Bearing UCP 210	1	7000111	
31	9	Circlip E 50	1	7000109	
32	9	Sprocket Washer	1	9000032	
33	9	Molla	1	5700013	
34	9	Clamp 86-95	2	5800137	
35	9	Rubber Hose 80x93	1	5500102	.55 meters
36	9	Attachment for compressor Anfor Ø 120 F	1	10000034	f.100024
		Attachment for compressor Bauer Ø 133 M	1	10001034	d.100025
37	9	Inlet Cone for T3 turbine (Anfor Ø 120 M)	1	8000015	f.100024
		Inlet Cone for T3 turbine (Bauer Ø 133 F)	1	8001015	d.100025

SERIES MAJOR



POS.	Page	Description	N.Pieces	Item Number	Notes
38	9	Ball Valve	1	2000112	
39	9	Rubber Ring Anfor Ø 120	2	8000112	f.100024
		Rubber Ring Bauer Ø 133	2	8001112	d.100025
40	9	Coupler with hosetail Anfor Ø 120 F	2	8000102	f.100024
		Coupler with hosetail Bauer Ø 133 M	2	8001102	d.100025
41	9	Rubber Hose 120x134	1	8000104	4.5 meters
42	9	Clamp 120 P	4	8000103	
43	9	Coupler Ball Anfor Ø 120 M	1	8000109	gr-f.100024
		Coupler Ball Bauer Ø 133 F	1	8001109	gr-d.100025
44	9	Chain Tensioner	2	7000010	
45	9	Chain Tensioner Bushing	2	7000048	c.48
46	9	Chain Tensioner Sprocket Z10 1" 1/4	2	9000016	
47	9	Bearing 6206 2RS	2	7000102	
48	9	Bolt TE M20x90	2		c.45
49	9	Chain 1" 1/4 Arnold (ISO 20 B-1)	2	9000108	11.09 meters
50	9	Master Link 1" 1/4	2	9000109	
51	9	PET Hose	1	TUBPOL...	Ø PE
52	9	Clamp PE Ø 110 (104-115)	3	5800114	
		Clamp PE Ø 120 (115-130)	3	8000120	
		Clamp PE Ø 125 (120-134)	3	8000111	
		Clamp PE Ø 140 (134-148)	3	9000110	
53	9	Barbed Nipple	1	5500033	Ø PE
54	9	Drum Tooth M18x60 with nut	16	9000014	
55	9	Bearing UCP 213	1	9000106	f.100004
		Bearing UCP 216	1	10000101	d.100005
56	9	Circlip E 65	1	9000107	f.100004
		Circlip E 80	1	10000102	d.100005
57	9	Sprocket 1/2" S	2	5500037	z...
58	9	Reelside Cover ABS	16	10000003	f.100014
		Reelside Cover ABS	16	10001003	d.100015
		Reelside Cover Laminated	16	10002003	op
59	9	Bearing UCP 206	2	5800118	
60	9	Hoseguide Bar Major	1	10000027	
61	9	Roller Pin	1	5900007	
62	9	Lower Roller PVC	1	7000026	
63	9	Cursor	1	5800006	f.100060
		Cursor version 2001	1	5801006	d.100061
64	9	Cursor Finger Ø 35	1	5800050	
65	9	Circlip I 35	1	5800144	
66	9	Grease Zirk M6	1	5800112	
67	9	Roller Pin	1	5900007	
68	9	Hoseguide Fork mod.Major	1	10000006	
69	9	Upper Roller PVC	1	7000059	rif.Major
70	9	Primary Chain Cover 900/Major	1	9000006	
71	9	Chain 1/2" S	1	5800119	4.1 meters
72	9	Master Link 1/2" S	1	5800120	
73	9	Lifting Frame	1	10000007	f.100060

SERIES MAJOR

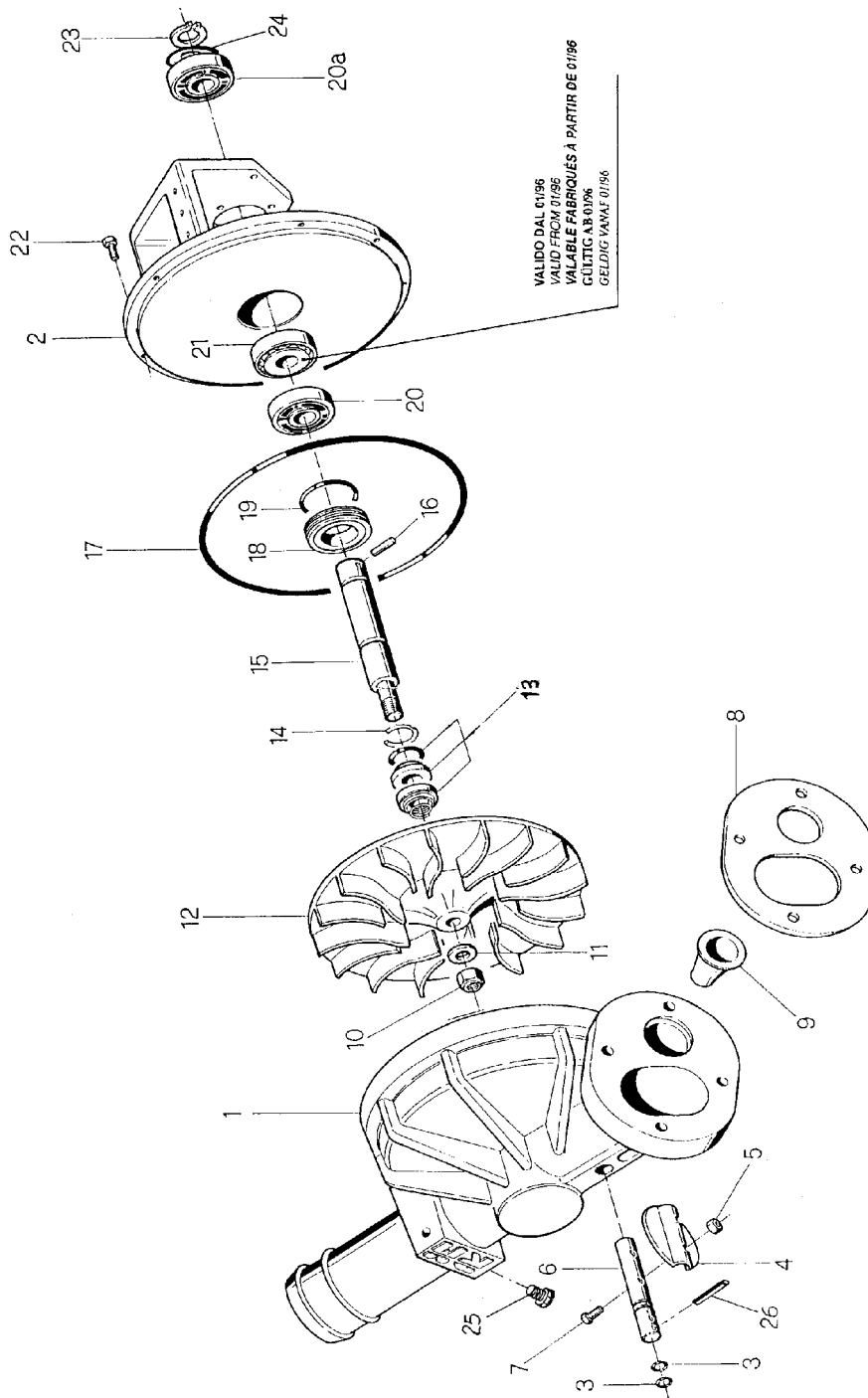


POS.	Page	Description	N.Pieces	Item Number	Notes
73	9	Lifting Frame version 2001	1	10000073	d.100061
74	9	Lifting Frame Support "J"	1	7000011	f.100060
75	9	Gearbox Command Arm	1	10000025	
76	9	Upper Cylinder Pin	2	7000028	
77	9	Hydraulic Cylinder	2	10000005	
78	9	Stabilizer Leg sx	1	10000004	sx
		Stabilizer Leg dx	1	10000023	dx
79	9	Lower Cylinder Pin	2	10000070	
80	9	Wheel 11.5/80-15.3 12 Ply 6 lug	4	8000105	pn
		Wheel 15.0/55-17 10 Ply 6 lug	4	8000124	op
81	9	Spindle Lever sx	1	10000008	sx
		Spindle Lever dx	1	10000008	dx
82	9	Circlip E 35	8	10000126	
83	9	Cylinder Pin	4	10000019	
84	9	Hydraulic Cylinder	2	10000010	
85	9	Washer for spindle lever	4	10000011	
86	9	Grease Zirk M8	4		
87	9	Spindle Lever sx	1	10000009	sx
		Spindle Lever dx	1	10000009	dx
88	9	Turntable Platform	1	10000020	
89	9	Turntable Gear + Bearing (7000402+9000101)	1	9000025	
90	9	Sprocket Z13 M7	1	5800402	f.100060
		Sprocket Z13 M7 taglio laser	3	7000403	d.100061
91	9	P.T.O. Handle	1	5800041	
92	9	Main Frame	1	10000002	f.100060
		Main Frame version 2001	1	10000002+10000072	d.100061
93	9	Draw Frame	1	10000012	f.100004
		Draw Frame mod.'98	1	10001012	d.100005
94	9	Disc for bearing	2	10000030	d.100015
95	9	Bearing 6310 2RS	2	10000110	d.100015
96	9	Circlip I 110	2	10000111	d.100015
97	9	Bearing Case	2	10000028	
98	9	Hydraulic Distributor Support	1	10000017	
99	9	Towing Hitch Pin	2	7000032	
100	9	Towing Hitch	1	8000019	
		Towing Hitch clevis Major	1	8001019	op
101	9	R-Clip Ø 5	2	COOP05AMA	
102	9	Front Cover ABS	1	9000024	
103	9	Turbine Cover ABS	1	9000023	
104	9	PTO Cover for compressore	1		c.105
105	9	Compressor lt.10.500 Ferrari	1	10000109	c.104
106	9	Elbow 3" M-F zinc	2	10000112	
107	9	Hosetail 3" for compressor	1	10000035	
108	9	Ball Valve 3" M-F	1	10000113	
109	9	T Coupler 3"x2"x3"	1	10000114	
110	9	Ball Valve 2" M-F	1	7000506	
111	9	Threaded Coupling 3" F-F L=100	1	10000116	

SERIES MAJOR




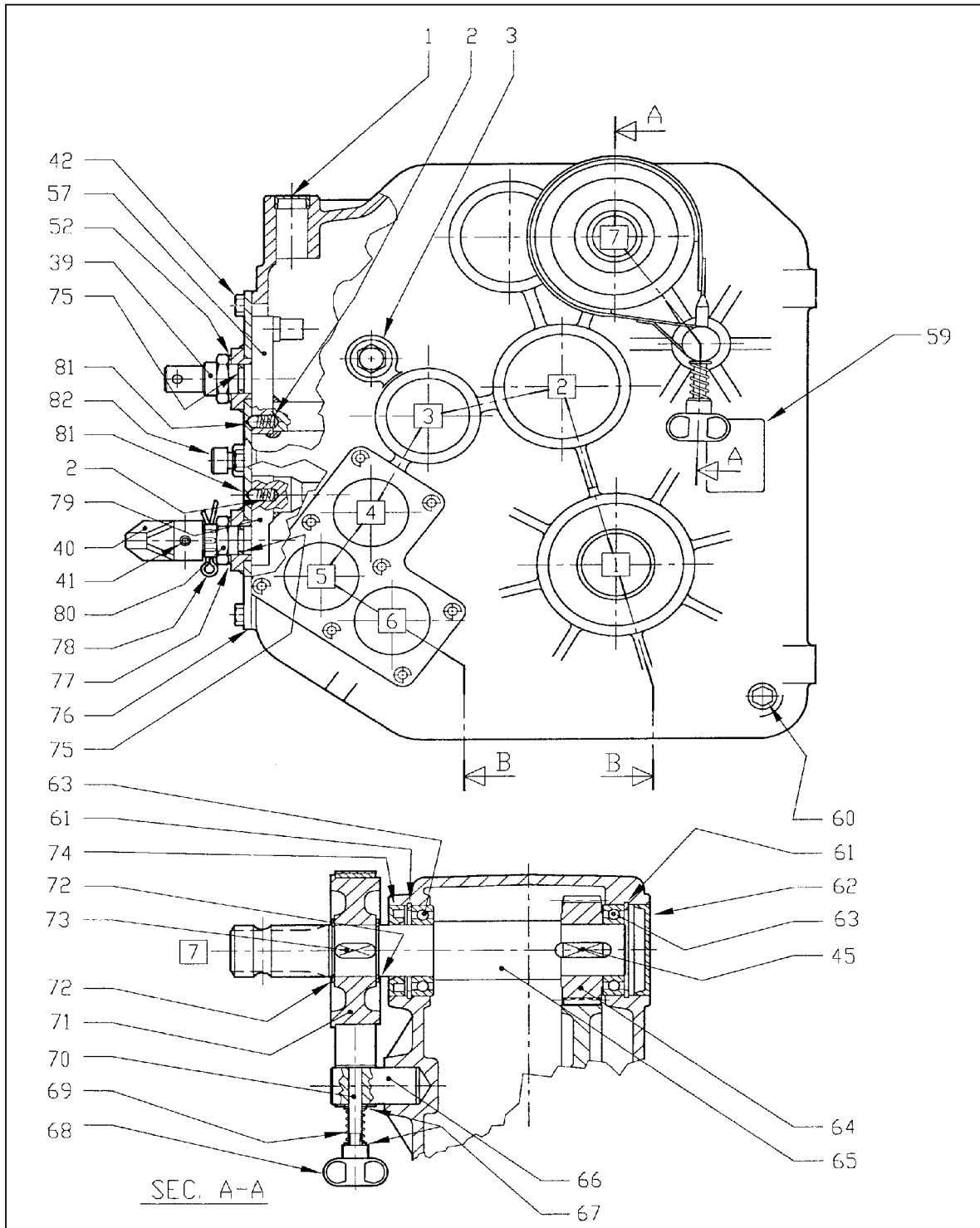
POS.	Page	Description	N.Pieces	Item Number	Notes
112	9	Back Flow Valve 3"	1	10000117	
113	9	Threaded Coupling 3" F-F L=100	1	10000116	
114	9	Elbow 3" M-F zinc	2	10000112	
115	9	Elbow 3" M-F zinc	1	10000112	
116	9	Hydraulic Motor Support	1	10000018	
117	9	Gearbox D 742 A.045.10	1	10000103	v.pag.19
118	9	Tachometer Support	1	7000051	
119	9	Drive Sprocket Spacer 1" 1/4	1	10000013	
120	9	Tachometer electronic VDO complete	1	TACHVDOEURO	v.pag.22
121	9	Chain Cover	1	10000026	
122	9	Anti-Return Pawl Major	1	10000016	f.100010
		Anti-Return Pawl Major	1	10001016	d.100011
123	9	Anti-Return Rod 1° pitch	1	10000032	d.100011
124	9	Anti-Return Rod 2° pitch	1	10000033	d.100011
125	9	Anti-Return Command Lever	1	10000031	d.100011
126	9	Stainless Steel Bushing	1	9900020	d.100031
127	9	O-Ring 2475	1	9900101	d.100031
128	9	Anti-Return Pawl Spring	1	5500040	
129	9	Lifting Frame Support Kit	2	10000073	d.100061

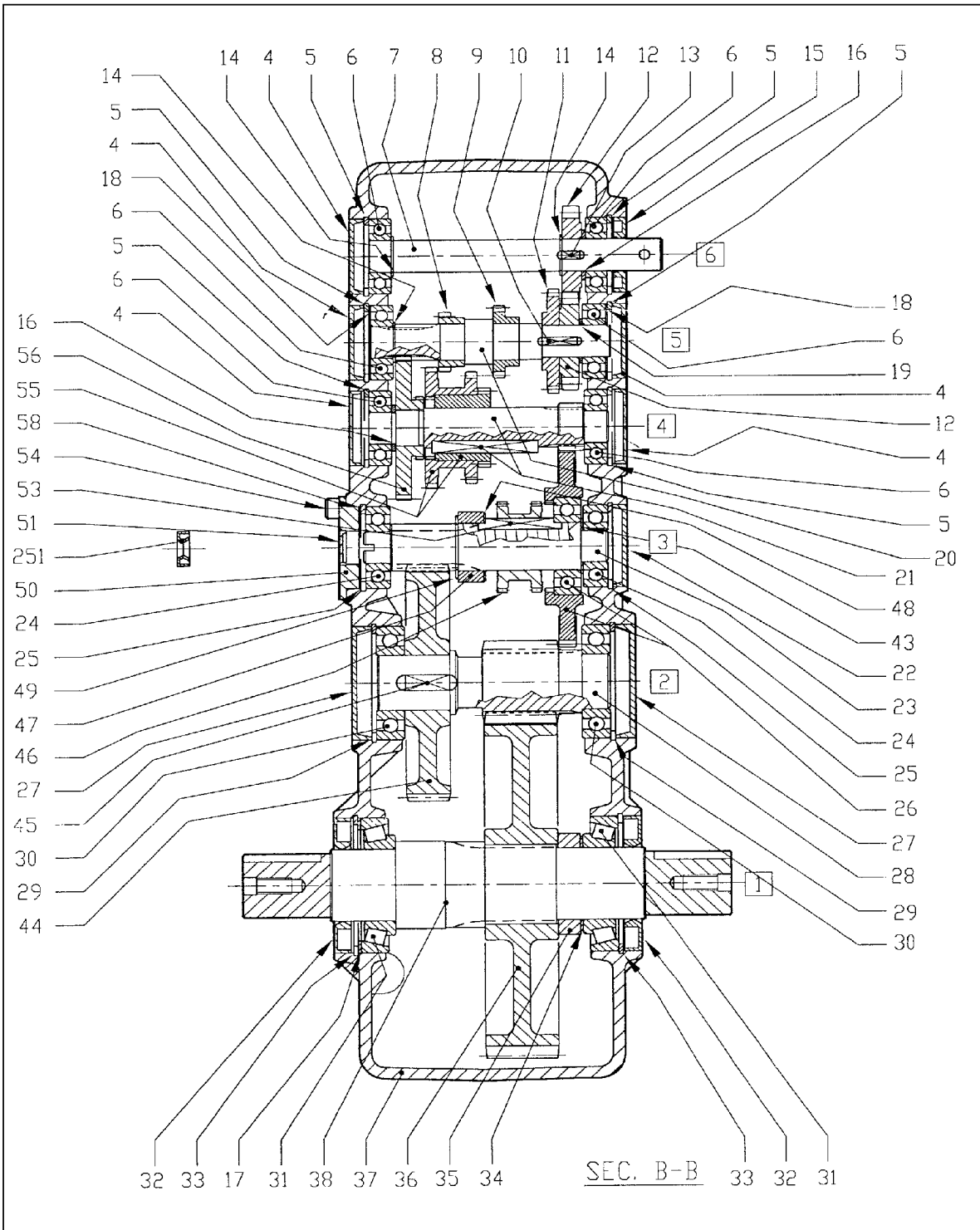


TURBINE T3(cod.TUR580)-T3.1 FLANGED (cod.TUR5801)



POS.	Page	Description	N.Pieces	Item Number	Notes	
1	14	Turbine Body T3	1	5800021	rif.T3	
	14	Turbine Body T3.1	1	5801021	rif.T3.1	
2	14	Cover	1	5800020		
3	14	O-Ring 108	2	5800213		
4	14	Flapper	1	5800028		
5	14	Nut S.S. M5	2	5800211		
6	14	By-Pass Valve Shaft	1	5800027		
7	14	Bolt M5x20 S.S.	2	5800210		
8	14	Rubber Gasket	1	5800025		
9	14	Nozzle	1	5800214	Ø ...	
10	14	Locking Nut M16	1	5800209		
11	14	Spring Washer S.S. 17x30x3	1	5800218		
12	14	Impeller	1	5800023		
13	14	Mechanical Seal standard	1	5800201	8009201	
	14	Mechanical Seal stainless	1	5800201W	op	
14	14	Ring A25	1	5800202		
15	14	Shaft S.S.	1	5800024		
16	14	Rollpin 6x50	1	5800205		
17	14	O-Ring 41050	1	5800204		
18	14	Mechanical Seal Spacer PVC	1	5800022		
19	14	O-Ring 3181	1	5800203		
20	14	Bearing	1	5800215		
20a	14	Bearing INA	1	5801215	f.31/12/95	
	14	Bearing	1	5800215	d.01/01/96	
21	14	Bearing 30205	1	5800217	d.01/01/96	
22	14	Bolt TCEI M8x25	12	5800207		
23	14	Circlip E25	1	5800206		
24	14	Washer INA	1	5800216		
25	14	Plug zinc GJ 1/4"	1	5800208		
26	14	Rollpin 5x25	1	5800212		
2						
10						
11						
12						
13						
14						
15						
16	14		Turbine Kit T3-T3.1	1	TUR580KIT	
17						
18						
19						
20						
20a						
21						
23						
24						





GEARBOX D-742A (742.045.10)



POS.	Page	Description	N.Pieces	Item Number	Notes
1	19	Plug	1	01202.069.041	
2	19	Spring	2	0.721.7101.00	
3	19	Oil Level Sight Glass 3/8" GAS	1	8.6.4.00273	
4	19	Oil Plug 47x7	5	8.7.0.01362	
5	19	Circlip I47	6	8.5.2.01290	
6	19	Bearing 6204	6	8.0.1.00405	
7	19	Input Shaft	1	0.744.2009.00	
8	19	Cylindrical Gear Z=22, M1.5	1	0.735.5001.00	
9	19	Cylindrical Gear Z=24, M1.75	1	0.744.5015.00	
10	19	Key 5x5x20	1	8.4.1.01617	
11	19	Crown Gear Z=35, M1.75	1	0.744.6007.00	
12	19	Gear Z=21, M2.5	2	0.744.6018.00	
13	19	Key 5x5x10	1	8.4.1.01511	
14	19	Circlip E20	3	8.5.1.00261	
15	19	Oil Seal 20x47x7	1	8.7.3.01395	
16	19	Spacer 32x20.3x2.5	2	0.104.7525.00	
17	19	Spacer 70.3x84.7	1	0.709.7500.00	
18	19	Spacer 40.3x46.7	2	0.457.7500.00	
19	19	Spacer 20.9x26.9x4	1	0.744.7104.00	
20	19	Pinion Shaft Z=12, M1.5	1	0.744.5011.00	
21	19	Pinion Shaft + Key	1	2.744.5027.00	
22	19	Oil Plug 52x7	1	8.7.0.00693	
23	19	Pinion Shaft Z=12, M2	1	0.744.5031.00	
24	19	Bearing 6304	2	8.0.1.00035	
25	19	Circlip I52	2	8.5.2.00038	
26	19	Gear + Bearing 6206	1	2.744.6010.00	
27	19	Oil Plug 72x10	2	8.7.0.00744	
28	19	Pinion Shaft Z=12, M3.5	1	0.742.5000.00	
29	19	Circlip I72	2	8.5.2.00131	
30	19	Bearing 6207	2	8.0.1.00870	
31	19	Bearing 30209	2	8.0.9.00143	
32	19	Oil Seal 45x85x10	2	8.7.3.00331	
33	19	Circlip I85	2	8.5.2.00332	
34	19	Spacer 65.3x45.3x1	1	0.252.7510.00	
35	19	Spacer 46x63.5x11.5	1	0.272.7100.00	
36	19	Crown Gear Z=60, M3.5	1	0.742.6000.00	
37	19	Casing	1	0.742.0302.00	
38	19	Output Shaft	1	0.742.3005.00	
39	19	Locking Nut M20x1.5	1	0.744.7105.00	
40	19	Handle	1	1.721.7002.00	
41	19	Rollpin 5x24	1	8.4.5.00934	
42	19	Bolt TE M8x18 (8.8)	6	8.1.1.01676	
43	19	Spacer 20.5x34.8x1	1	0.742.7510.00	
44	19	Crown Gear Z=73, M2	1	0.744.6001.00	
45	19	Key 10x8x25	2	8.4.1.00992	
46	19	Bushing	1	0.744.7000.00	
47	19	Spacer 30.1x44.5x15	1	0.744.7106.00	

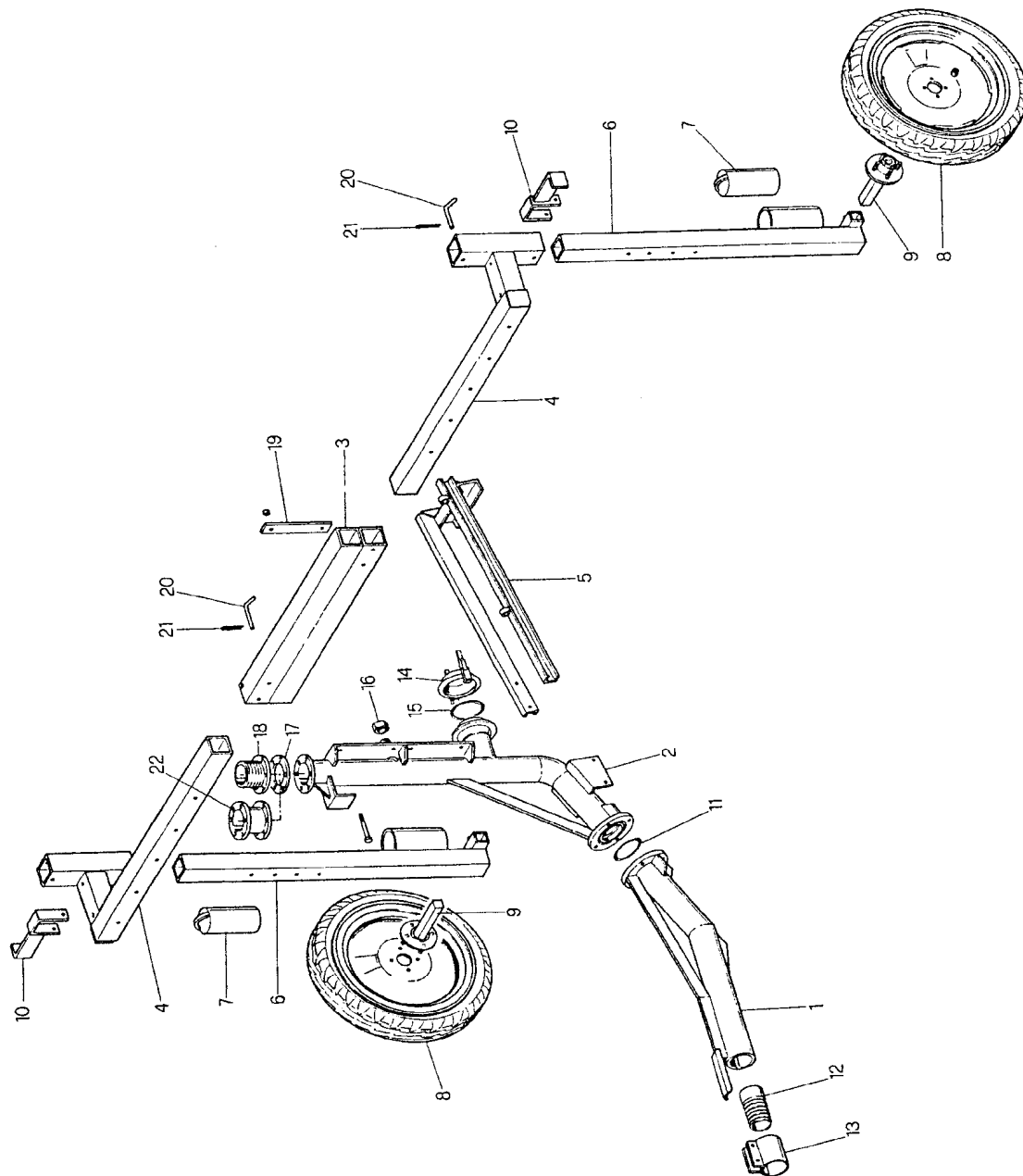
GEARBOX D-742A (742.045.10)



POS.	Page	Description	N.Pieces	Item Number	Notes
48	19	Spacer 44x30.3x1	1	0.102.7510.00	
49	19	Circlip E30 H=2	1	8.5.1.01082	
50	19	Cover	1	0.735.1300.00	
51	19	Oil Plug 22x4	1	8.7.0.01343	
52	19	Spacer 32x20.3x1	1	0.104.7510.00	
53	19	Key special	1	0.744.7112.00	
54	19	Bolt TCEI M8x12 (8.8)	2	8.1.2.01718	
55	19	Compound Gear	1	2.744.5007.00	
56	19	Crown Gear Z=58, M1.5	1	0.744.6003.00	
57	19	Lever	1	2.744.7018.00	
58	19	Spacer 40.3x51.5	1	0.244.7500.00	
59	19	Serial Plate "COMER"	1	0.124.7101.00	
60	19	Plug 3/8" GAS	1	8.6.5.00006	
61	19	Circlip I62	2	8.5.2.00007	
62	19	Oil Plug 62x10	1	8.7.0.00743	
63	19	Bearing 6007	2	8.0.1.00000	
64	19	Pinion Gear Z=34, M2	1	0.744.5002.00	
65	19	P.T.O. Shaft 1-3/8" 6 spline	1	0.744.3001.00	
66	19	Pin	1	0.744.7005.00	
67	19	Washer 8.4x14	2	8.3.2.00439	
68	19	Threaded Knob M8 F	1	8.9.1.01713	
69	19	Spring	1	0.735.7103.00	
70	19	Brake Band	1	2.744.7006.00	
71	19	Brake Drum	1	0.744.7004.00	
72	19	Circlip E35	2	8.5.1.00005	
73	19	Key 10x8x25	1	8.4.1.00232	
74	19	Oil Seal 35x62x10	1	8.7.3.00003	
75	19	O-Ring 3062	2	8.7.6.00191	
76	19	Cover	1	2.744.1321.00	
77	19	Spring Washer 40x20.4x1.5	1	8.5.5.01316	
78	19	Cotter Pin 4x35	1	8.4.7.00760	
79	19	Lever 4 Speed	1	2.744.7002.00	
80	19	Castle Nut M20x1.5	1	8.2.2.00997	
81	19	Ball 5/16" (7.9mm)	2	8.5.9.00166	
82	19	Oil Breather plug 1/2" GAS	1	8.6.7.00269	
			1	A.328.004	
251	19	Oil Seal 8x22x7	1	8.7.3.01396	

SERIES 600-MAJOR JX TROLLEY (VERSION '98)
(Page30)

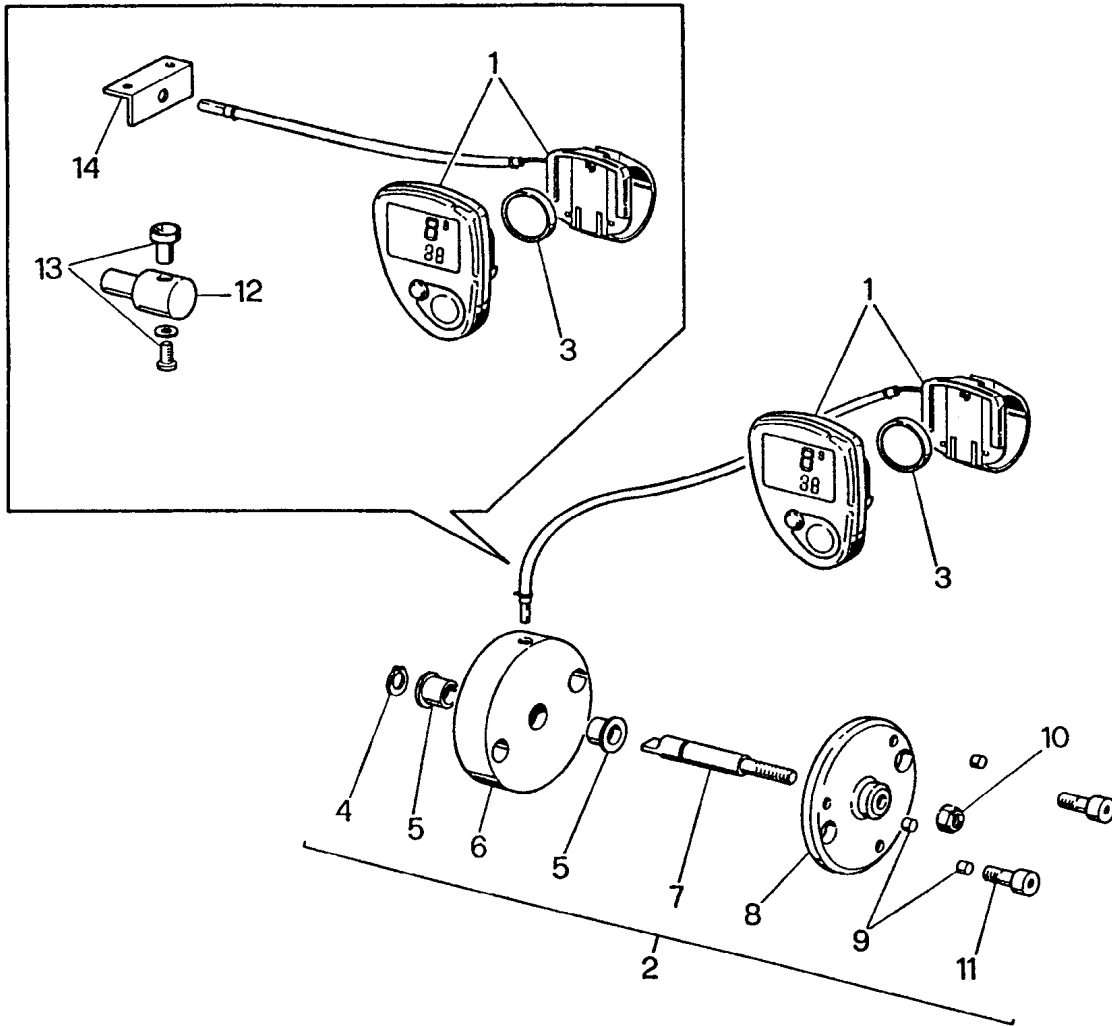
ABI
irrigation



SERIES 600-MAJOR JX TROLLEY (VERSION '98)



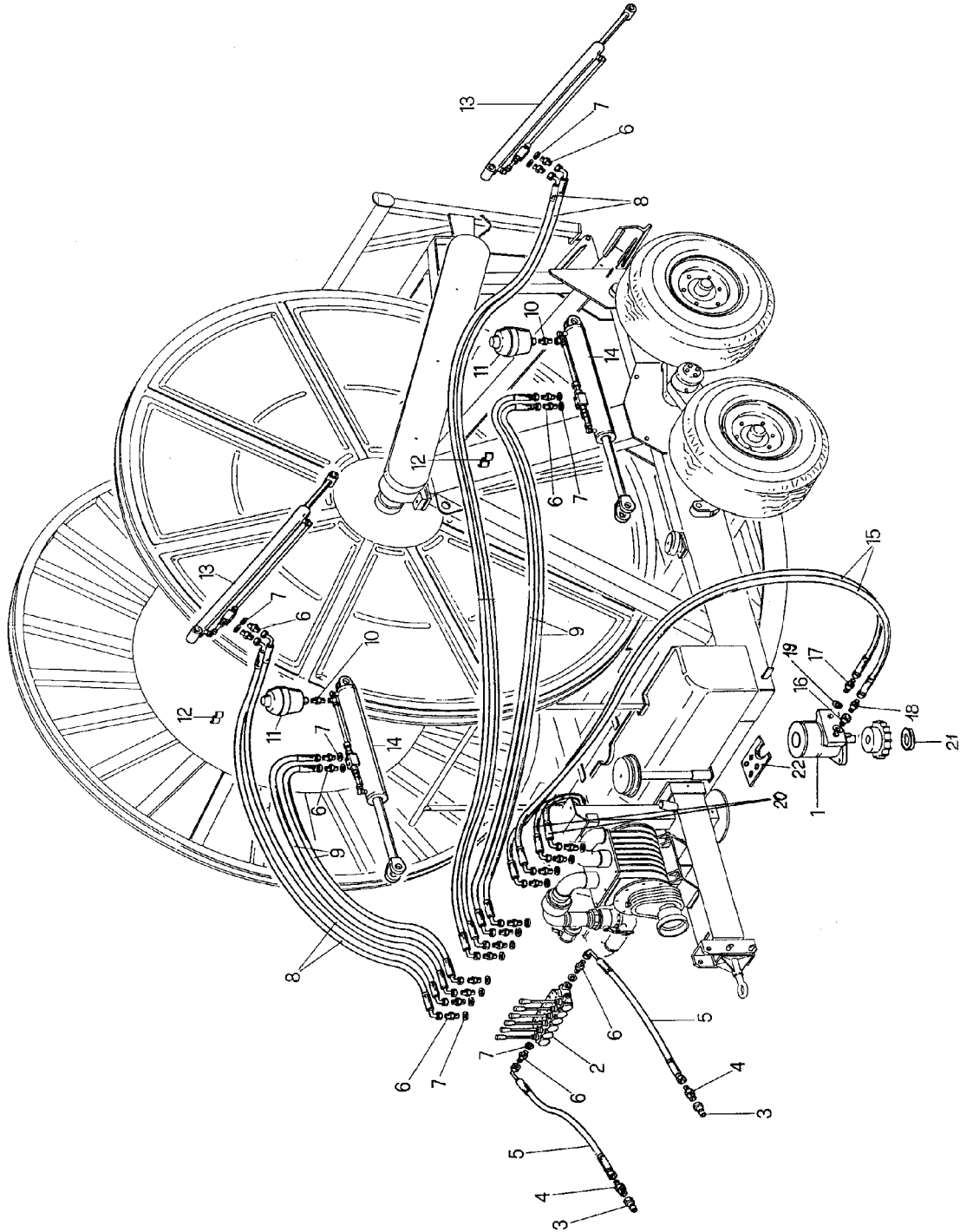
POS.	Page	Description	N.Pieces	Item Number	Notes
1	30	Connecting Tube PET-Trolley	1	70010251	
2	30	Trolley Body	1	70010252	
3	30	Head	1	70010254	
4	30	Leg Support	2	70010255	
5	30	Drawbar	1	70010258	
6	30	Leg	2	70010253	
7	30	Weight	2	BILLETTE	.4 meters
8	30	Wheel 125/70 D15	2	5800104	pn
9	30	Spindle Assembly 35 L=200	2	5800103	
10	30	Lifting Stabilizer Bracket	2	70010256	
11	30	O-Ring 6412	1	7000115	
12	30	Barbed Nipple PE	1	5500033	gr - Ø PE
13	30	Clamp Ø90	1	7000066	Ø PE 90
	30	Clamp Ø100	1	7000067	Ø PE 100
	30	Clamp Ø110	1	7000068	Ø PE 110
	30	Clamp Ø120	1	7000069	Ø PE 120
	30	Clamp Ø125	1	7000070	Ø PE 125
	30	Clamp Ø140	1	7000071	Ø PE 140
14	30	Cap Ø100 Ferrari F	1	5800105	c.15
15	30	Rubber Ring Ø100 Ferrari	1		c.14
16	30	Cap 1" FNPT	1	TAPPOSL	
17	30	Gasket	1	58000461	
18	30	Coupler ranger	1	5800044	Ø PE 100-110
19	30	Head Mounting Bracket	2	70010257	
20	30	Pin	4	5800042	
21	30	R-Clip	4	COOP03AMA	
22	30	Coupler	1	7000065	Ø PE 120-140
1					
2					
3					
4	30	Trolley Bare 600-700-800	1	7001025	
5					
6					
10					
1÷21	30	Trolley Complete	1	CARR7001	



TACHOMETER VDO EURO/SPRINT



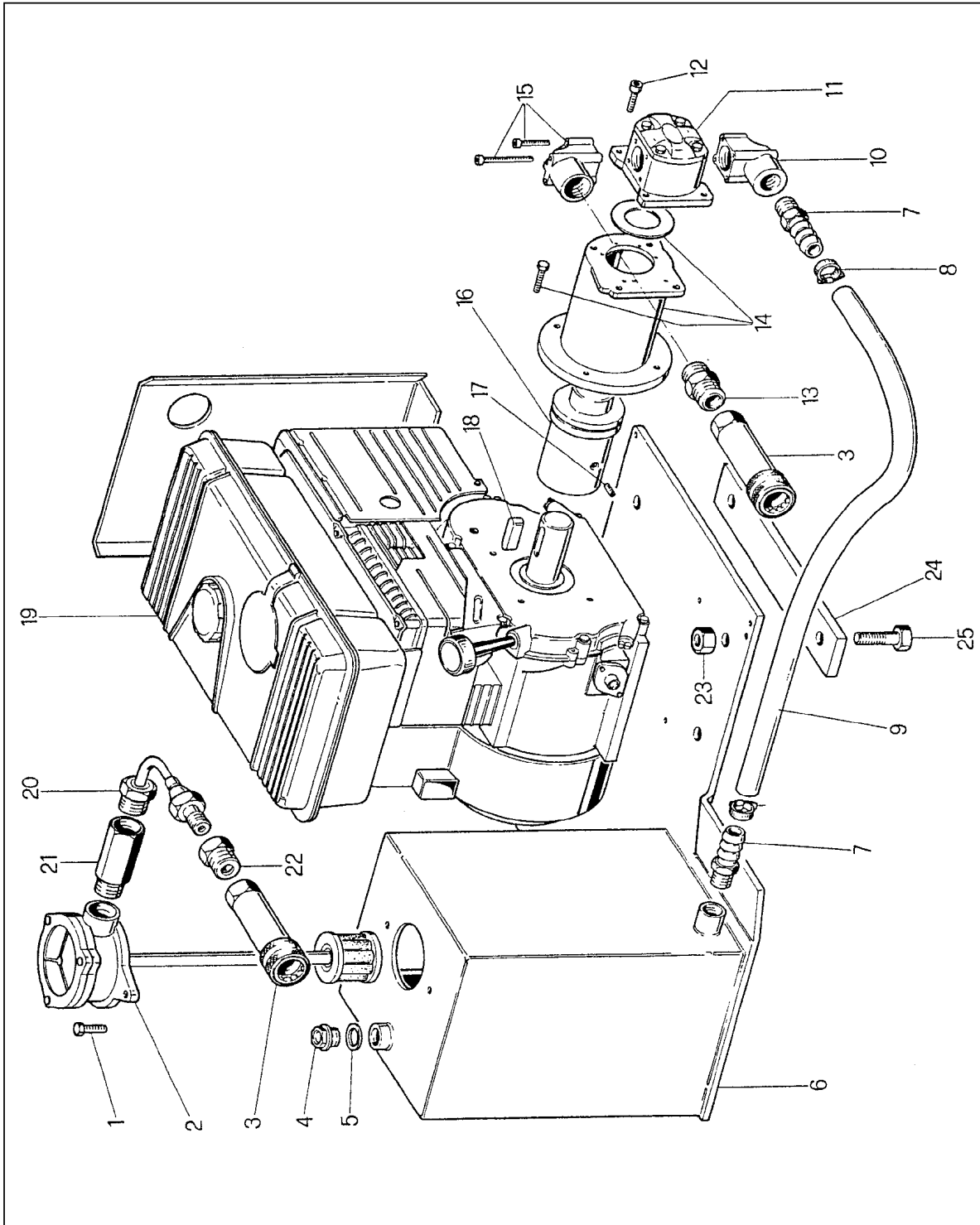
POS.	Page	Description	N.Pieces	Item Number	Notes
1	22	Tachometer VDO Euro/Sprint	1	5800501	
2	22	Velocity Sensor Complete	1	5800508	
3	22	Battery	1	5800504	
4	22	Circlip E8	1	5800503	
5	22	Bushing	2	5800502	
6	22	Sensor Support	1	5800052	
7	22	Velocity Sensor Shaft	1	5800054	
8	22	Magnet Support	1	5800053	
9	22	Magnet	3	5800505	
10	22	Nut/Nylock M5	1	5800211	
11	22	Bolt TCEI M5x12	2		
12	22	Single Magnet Support	1	8900034	
13	22	Magnet VDO	1		
14	22	Bracket	1	8900105	
1		\\			
2	22	Tachometer Complete (Euro)	1	TACHVDOEURO	
3		/			
		/			
1		\\			
3		\\			
12	22	Tachometer Complete (Sprint)	1	TACHVDOSPRINT	
13		/			
14		/			



SERIES MAJOR HYDRAULIC SYSTEM



POS.	Page	Description	N.Pieces	Item Number	Notes
1	10	Hydraulic Motor GFL300	1	7000401	
2	10	Hydraulic Distributor 6 lever MD6	1	7000305	
3	10	Tractor Coupler 1/2" M	2	7000309	
4	10	Nipple 1/4"-1/2"	2	7000308	
5	10	Hydraulic Hose 1/4" R1 L=7500	2	7000312	
6	10	Nipple 1/4"-3/8"	24	7000307	
7	10	Washer 3/8"	24		
8	10	Hydraulic Hose 1/4" R7 L=3700	4	10000124	
9	10	Hydraulic Hose 1/4" R7 L=4800	4	10000123	
10	10	Connector M18x1.5-F3/8	2	10000120	
11	10	Accumulator	2	10000118	
12	10	Hose Bracket	6	7000047	
13	10	Hydraulic Cylinder	2	10000005	
14	10	Hydraulic Cylinder	2	10000010	
15	10	Hydraulic Hose 1/4" R7 L=1800	2	10000125	
16	10	Adapter	1	5500042	
17	10	Nipple 1/4"-1/2"	1	7000308	
18	10	Nipple 1/4"-1/4"	1	5800129	
19	10	Copper Washer 1/2"	2		
20	10	Hydraulic Hose 1/4" R7 L=700	2	7000306	
21	10	Spacer 12	1	7000404	d.100061
22	10	Hydraulic Motor Mounting Plate	1	9900033	d.100061



HYDRAULIC ENGINE-PUMP KIT



POS.	Page	Description	N.Pieces	Item Number	Notes
1	44	Bolt TCEI M6x30	2		
2	44	Filter Assembly RFM4 3/8"F	1	7000318	
3	44	Tractor Coupler 1/2" F	2	9900104	
4+5	44	Oil Plug with copper washer 1/2"	1	7000321	
6+24	44	Oil Tank and Mounting Kit	1	7000064	
7	44	Threaded hosetail 3/8" mnpt x Ø16 hstl	1	7000319	
8	44	Clamp ABA 25	2	2000111	
9	44	Rubber Hose R2 16x23	1	7000320	.32 meters
10	44	Aluminum Elbow 3/8" F	1	7000317	
11	44	Hydraulic Pump GR1 1.6 cmc/giro	1	7000316	
12	44	Bolt TCEI M6x30	4		
13	44	Nipple 1/2"-3/8"	1	8900109	
14+16	44	Hydraulic Pump Coupler and Mount GR1	1	7001325	B&S 6.5hp
	44	Hydraulic Pump Coupler and Mount GR1	1	7000325	B&S 5.5hp
17	44	Set Screw M8x10	1		c.16
18	44	Key	1	7000326	
19	44	Engine Briggs&Stratton 6.5hp	1	7000324	
20	44	Elbow 90 degree 3/8" F-F	1	7000323	
21	44	Extension M-F 3/8" L=40	1	7000322	
22	44	Nipple 3/8"-1/2"	1	8900109	
23	44	Nut M12	4		
25	44	Bolt TE M12x180	4		