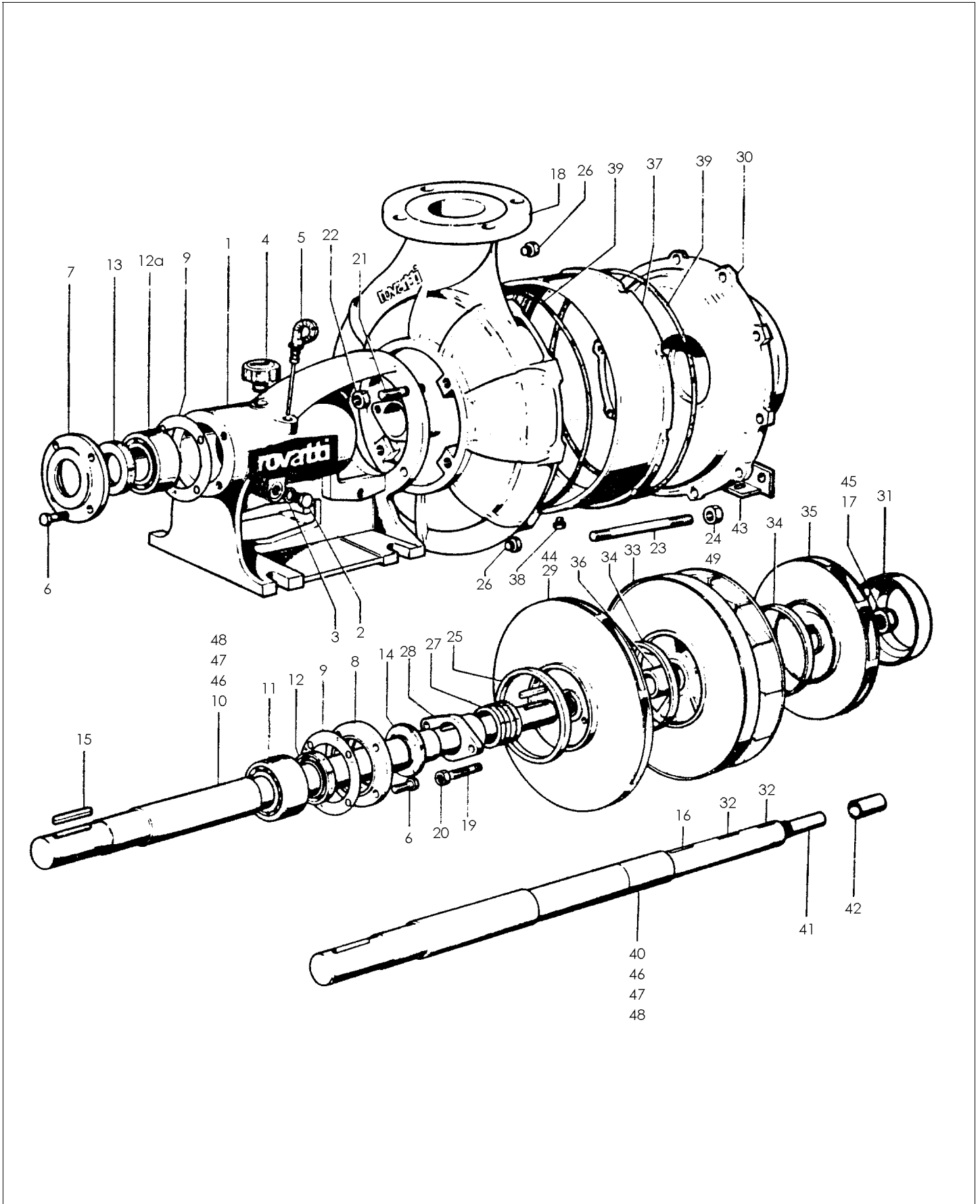


# Rovatti S1K Series Pump

Itemized Part Listing

12/2002



| POS | Item Description          | S1K50/2 |    | S1K50/3 |    | S1K50/4 |    |
|-----|---------------------------|---------|----|---------|----|---------|----|
|     |                           | Part #  | Q  | Part #  | Q  | Part #  | Q  |
| 1   | Support / Bearing         | 3162    | 1  | 3162    | 1  | 3162    | 1  |
| 2   | Plug / Magnetic           | 4470    | 1  | 4470    | 1  | 4470    | 1  |
| 3   | Plug / Magnetic           | 4470    | 1  | 4470    | 1  | 4470    | 1  |
| 4   | Plug / Breather           | 3370    | 1  | 3370    | 1  | 3370    | 1  |
| 5   | Dipstick / Oil Level      | 3325    | 1  | 3325    | 1  | 3325    | 1  |
| 6   | Bolt                      | VTE2    | 6  | VTE2    | 6  | VTE2    | 6  |
| 7   | Cover                     | 3324    | 1  | 3324    | 1  | 3324    | 1  |
| 8   | Cover                     | 3324    | 1  | 3324    | 1  | 3324    | 1  |
| 9   | Gasket *                  | 3326    | 2  | 3326    | 2  | 3326    | 2  |
| 10  | Shaft                     | 4488    | 1  | 4489    | 1  | 4490    | 1  |
| 11  | Bearing *                 | CU36    | 1  | CU36    | 1  | CU36    | 1  |
| 12  | Seal / Oil *              | AT4     | 1  | AT4     | 1  | AT4     | 1  |
| 12a | Bearing *                 | CU36    | 1  | CU36    | 1  | CU36    | 1  |
| 13  | Seal / Oil *              | AT4     | 1  | AT4     | 1  | AT4     | 1  |
| 14  | Ring / Water Sealing *    | AP2     | 1  | AP2     | 1  | AP2     | 1  |
| 15  | Key                       | LI12    | 1  | LI12    | 1  | LI12    | 1  |
| 16  | Key                       | LI20    | 2  | LI20    | 3  | LI20    | 4  |
| 17  | Nut / Impeller            | DA18b   | 1  | DA18b   | 1  | DA18b   | 1  |
| 18  | Body / Pump               | 4506    | 1  | 4506    | 1  | 4506    | 1  |
| 19  | Bolt / Stud               | VP2     | 2  | VP2     | 2  | VP2     | 2  |
| 20  | Nut                       | DEA8    | 2  | DEA8    | 2  | DEA8    | 2  |
| 21  | Bolt / Stud               | VP3     | 4  | VP3     | 4  | VP3     | 4  |
| 22  | Nut                       | DEA10   | 4  | DEA10   | 4  | DEA10   | 4  |
| 23  | Bolt / Stud               | VP30    | 8  | VP31    | 8  | VP32    | 8  |
| 24  | Nut                       | DEA12   | 6  | DEA12   | 6  | DEA12   | 6  |
| 25  | Ring / Wear *             | 4485    | 1  | 4485    | 1  | 4485    | 1  |
| 26  | Plug                      | NO19    | 2  | NO19    | 2  | NO19    | 2  |
| 27  | Ring / Packing *          | 5639    | 5  | 5639    | 5  | 5639    | 5  |
| 28  | Flange / Packing          | 2018    | 1  | 2018    | 1  | 2018    | 1  |
| 29  | Impeller / pump Body      | 4462    | 1  | 4462    | 1  | 4462    | 1  |
| 30  | Cover / Suction           | 4504    | 1  | ****    | ** | ****    | ** |
| 30  | Cover / Suction w/support | ****    | ** | 4504    | 1  | 4504    | 1  |
| 31  | Ring / Wear *             | 4485    | 1  | 4485    | 1  | 4485    | 1  |
| 32  | Key                       |         |    |         |    |         |    |
| 33  | Diffuser                  | 4422    | 1  | 4422    | 2  | 4422    | 3  |
| 34  | Ring / Wear *             | 4485    | 2  | 4485    | 4  | 4485    | 6  |
| 35  | Impeller / Diffuser       | 4460    | 1  | 4460    | 2  | 4460    | 3  |
| 36  | Spacer                    | 4482    | 1  | 4482    | 2  | 4482    | 3  |
| 37  | Shell / Diffuser          | 4501    | 1  | 4501    | 2  | 4501    | 3  |
| 38  | Plug                      | NO19    | 1  | NO19    | 2  | NO19    | 3  |
| 39  | O-Ring *                  | 3486    | 2  | 3486    | 3  | 3486    | 4  |
| 40  | Shaft                     | ****    | ** | 4489    | 1  | 4490    | 1  |
| 41  | Bushing *                 | ****    | ** | ****    | ** | ****    | ** |
| 42  | Bushing *                 | ****    | ** | 1445    | 1  | 1445    | 1  |
| 43  | Foot / Support            | ****    | ** | 4645    | 1  | 4645    | 1  |
| 44  | Washer                    | RR20    | 2  | RR20    | 1  | RR20    | 1  |
| 45  | Washer                    | 6712    | 1  | 6712    | 1  | 6712    | 1  |
| 46  | Bolt                      | ****    | ** | ****    | ** | ****    | ** |
| 47  | Washer                    | ****    | ** | ****    | ** | ****    | ** |
| 48  | Washer                    | ****    | ** | ****    | ** | ****    | ** |
| 49  | Nut                       | DEA12   | 2  | DEA12   | 2  | DEA12   | 2  |

*Place "RI" prefix before all part numbers before placing orders.*

It is useful to keep a stock of fast wearing parts on hand for quick repairs. Most recommended spare parts are marked by an asterisk (\*) following part description.

**1-800-Team ABI**

Email [abigausa@att.net](mailto:abigausa@att.net)  
[www.abi-irrigation.com](http://www.abi-irrigation.com)

s1k.pdf ABI 2002



**AgriBusiness International, Inc**  
P.O. Box 909  
Villa Rica, Georgia 30180 USA  
Ph. 770-459-4401 Fx. 770-459-6877