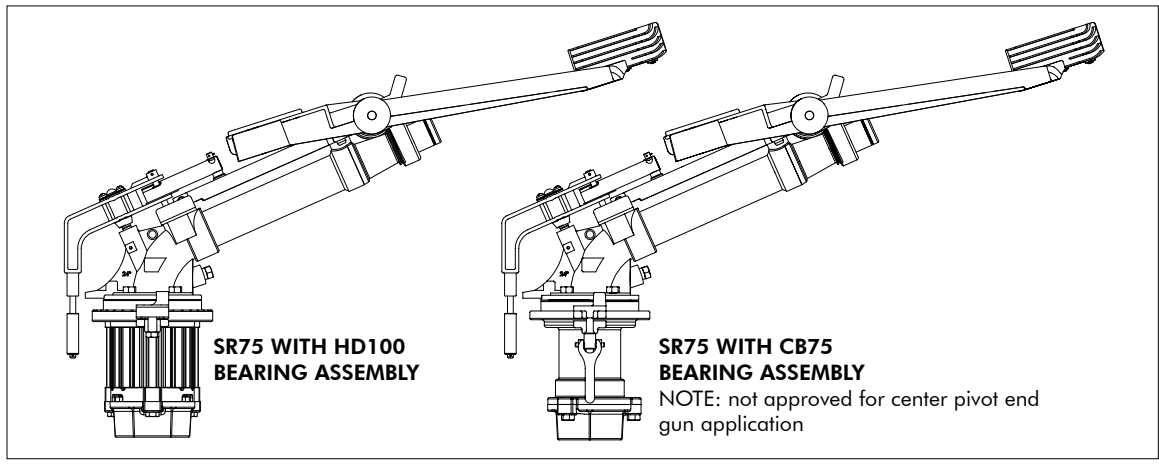


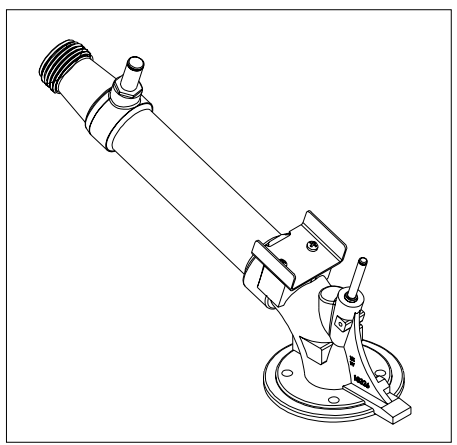
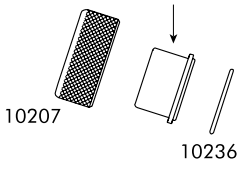


SR75 BIG GUN®

SR75 BIG GUN® PARTS LIST

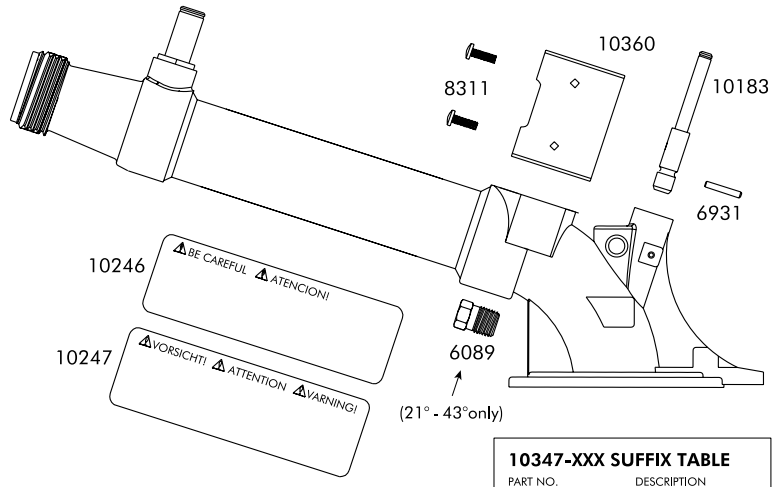


Nozzle shown for reference only.
Order nozzles from WG-PL Price List.



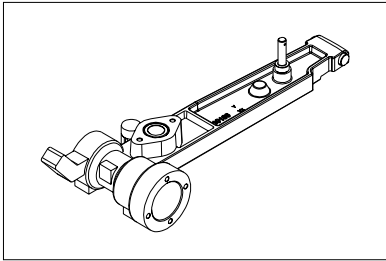
10347-XXX BODY ASSEMBLY

(SEE SUFFIX TABLE)



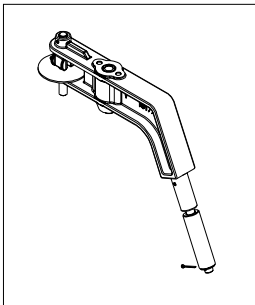
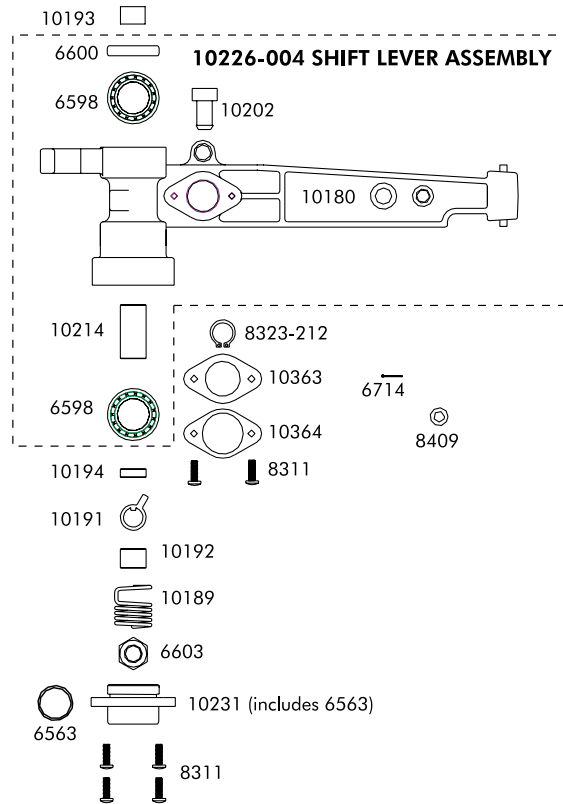
10347-XXX SUFFIX TABLE	
PART NO.	DESCRIPTION
10347-118	Body Assy, 18°
10347-121	Body Assy, 21°
10347-124	Body Assy, 24°
10347-143	Body Assy, 43°

10347-XXX	BODY ASSEMBLY, SR75	qty.
part number	description	
6089	3RN Plug	1
6931	Pin, Coiled Spring, .125" x .75"	1
8311	Screw, #8-32 x .375", Self-Tapping Pan Head	4
10183	Shaft, Trip Lever - SR75	1
10246	Label, Warning - English, Spanish	1
10247	Label, Warning - German, Swedish	1
10346-xxx	Tube & Elbow Assy - SR75	1
10360	Stop, Shift Lever - SR75	1



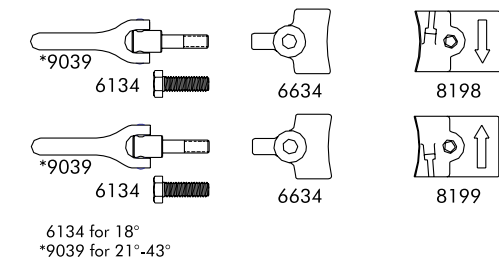
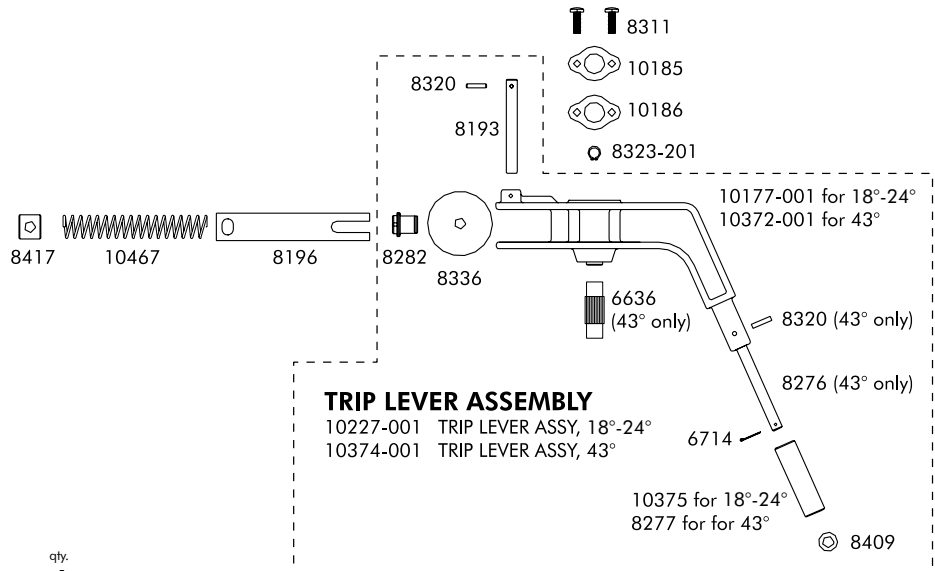
10226-004 SHIFT LEVER ASSEMBLY, SR75

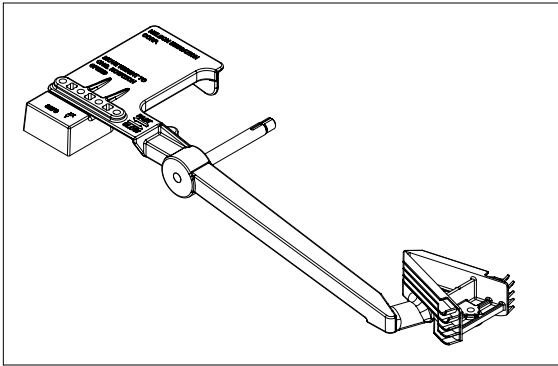
part number	description	qty.
6598	Bearing, Ball, 12 x 32 x 10mm	2
6600	Seal, Oil	1
10180	Lever, Shift - SR75	1
10202	Bumper - SR75	1
10214	Spacer, Drive Arm Brg - SR75	1



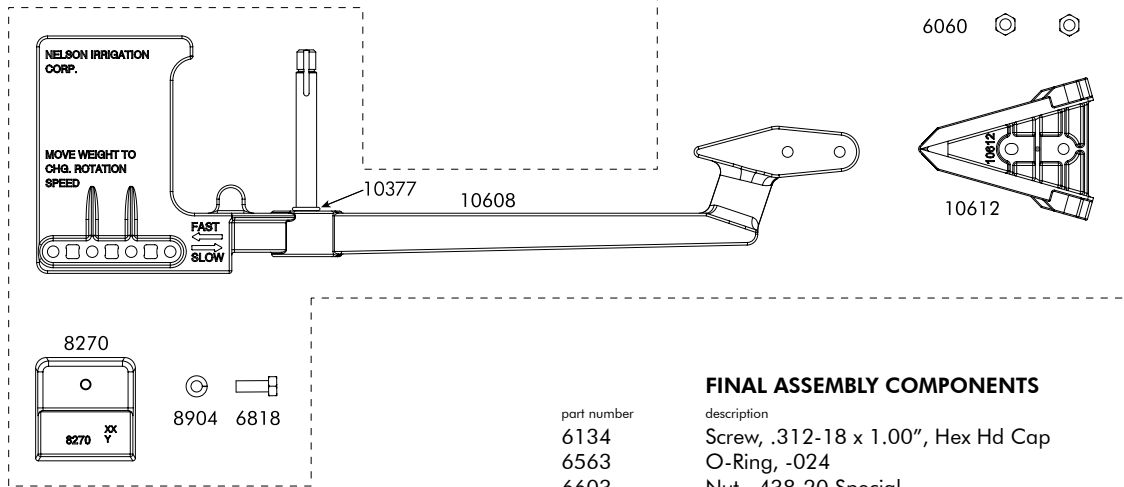
TRIP LEVER ASSEMBLY, SR75

part number	description	qty.
6636	Bearing, Arm - F44	1
6714	Pin, Cotter, .062" x .50"	1
8193	Pin, Stop - SR100	1
8276	Shaft, Roller - SR100	1
8277	Roller - SR100 Trip	1
8282	Follower, Trip Spring - SR Big Guns	1
8320	Pin, Coiled Spring, .094" x .50"	1
8336	Washer, Spring Guide - SR100	1
10177-001	Lever, Trip - SR75 18°-24°	1
10372-001	Lever, Trip - SR75 43°	1
10375	Roller, Trip - SR75 18°-24°	1



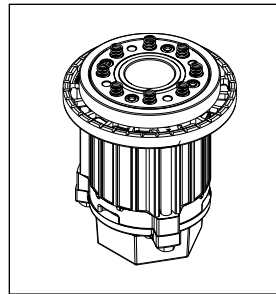
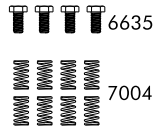
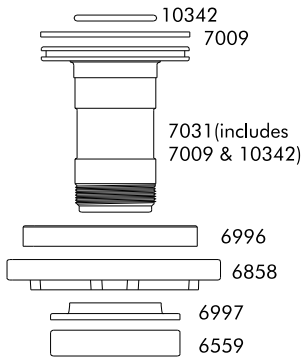


part number	description	qty.
10228-001	DRIVE ARM ASSEMBLY, SR75	
6060	Nut, .25-.20 x 75"	2
8270	Weight, Drive Arm - SR100	1
6818	Screw, .25-.20 x .75", Hex Head Cap	3
8904	Washer, Spring Lock, .25" Regular	1
10612	Vane, Drive - SR75	1
10608	Arm, Drive - SR75	1
10377	O-Ring, .459 ID x .040 CS	1



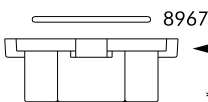
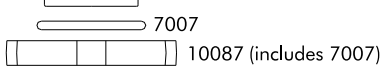
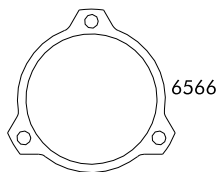
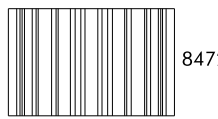
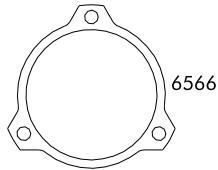
FINAL ASSEMBLY COMPONENTS

part number	description	qty.
6134	Screw, .312-18 x 1.00", Hex Hd Cap	2
6563	O-Ring, -024	1
6603	Nut, .438-20 Special	1
6634	Clamp - SR100`	2
6714	Pin, Cotter, .062" x .50"	1
8196	Guide, Spring - SR100	1
8198	Stop, CCW - SR100	1
8199	Stop, CW - SR100	1
8311	Screw, #8-32 x .375", Self-Tapping Pan Head	8
8323-201	Ring, Retaining, -25 Basic External	1
8323-212	Ring, Retaining, -50 Basic External	1
8409	Washer, Roller - SR100	1
8417	Stop, Trip Spring	1
10185	Cap, Trip Lever - SR75	1
10186	Gasket	1
10189	Spring, Torsion - SR75	1
10191	Cam - SR75	1
10192	Spacer, Drive Arm Shaft - SR75	1
10193	Spacer, Drive Arm Shaft, Teflon Coated - SR75	1
10194	Spacer, Drive Arm Shaft - SR75	1
10207	Cap, Nozzle - 75TR	1
10231	Cap Assy, Arm Bearing - SR75	1
10236	O-Ring, -025	1
10363	Gasket, Shift Lever Cap - SR75	1
10364	Cap, Shift Lever - SR75	1
10467	Spring, Trip - SR75	1



BEARING ASSEMBLY NOS.

7273	2" FNPT
7277	2.5" FNPT
7292	2" FBSP
7753	NELSON FLANGE
9814	EURO FLANGE
10265-001	ANSI/DIN FLANGE
10380-001	1.5" FNPT
10380-004	1.5" FBSP



* Flg. Assy.	Connection	(3) Screws
10088-006	1.5" FNPT	7990
10088-007	1.5" FBSP	7990
10088-001	2" FNPT	7990
10088-003	2" FBSP	7990
10088-002	2.5" FNPT	7991
10086	Nelson Flg.	7006
10094	Euro Flg.	7006
10137-001	ANSI/DIN Flg.	7006

* Flg. Assy. includes 8967

HD100 BEARING ASSEMBLY

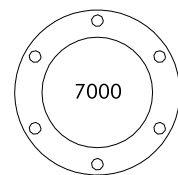
part number	description	qty.
6559	Bearing, Ball, 50 x 80 x 16mm	2
6566	Gasket, Housing - HD100	2
6635	Screw, .3125-18 x .688" Hex Hd Cap	4
6858	Cover, Part Circle - HD100	1
6996	Ring, Brake - HD100	1
6997	Seal, Upper - HD100	1
6998	Seal, Center - HD100	1
6999	O-Ring, -224	1
7004	Spring, Brake - HD100	8
7006	Screw, .312-18 x 3.50" Hex Skt Hd Cap	3
7007	O-Ring, -331, Special	1
7009	Seal, Dust - HD100	1
7031	Shaft Assembly - HD100	1
7990	Screw, .312-18 x 4.25" Hex Hd Cap	3
7991	Screw, .312-18 x 4" Hex Skt Hd Cap	3
8472	Housing - HD100	1
8967	O-Ring -231, Special	1
10083	Retainer Assembly - HD100	1
10086	Flange Assembly, Nelson	1
10087	Spacer Assembly - HD100	1
10088-001	Flange Assembly, 2" FNPT	1
10088-002	Flange Assembly, 2.5" FNPT	1
10088-003	Flange Assembly, 2" FBSP	1
10088-006	Flange Assembly, 1.5" FNPT	1
10088-007	Flange Assembly, 1.5" FBSP	1
10094	Flange Assembly, Euro	1
10137-001	Flange Assembly, ANSI/DIN	1
10342	O-Ring, -225	1

MOUNTING HARDWARE

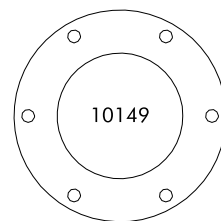
part number	description	qty.
7000	Gasket, Flange	1
7039	Screw, .312-18 x .75" Hex Skt Hd Cap	6
10149	Gasket, Euro Flange	1

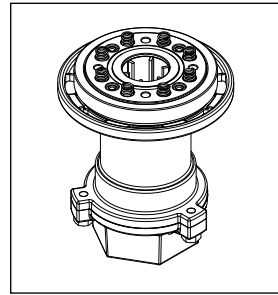
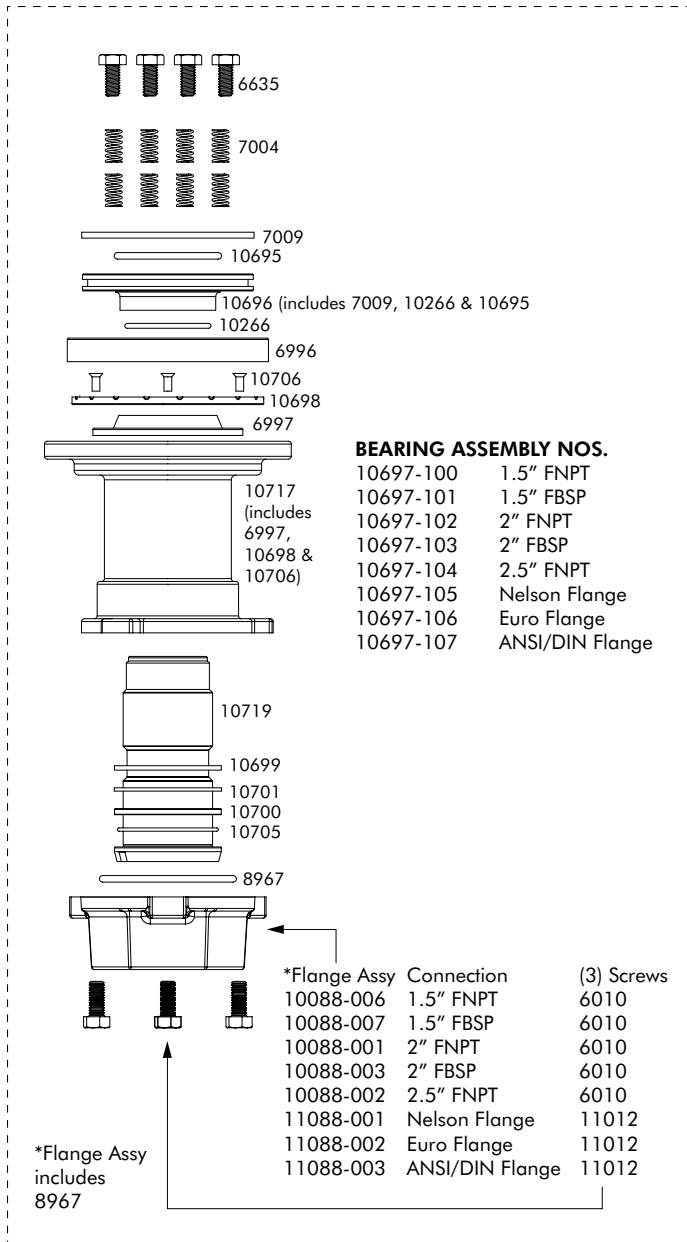
FLANGE GASKET AND FASTENERS FOR MOUNTING GUN

NELSON FLG. CONN.



EURO FLG. CONN.





CB75 BEARING ASSEMBLY

part number	description	qty.
6635	Screw, 5/16-18 x 11/16" Hex Hd. Cap	4
6996	Ring, Brake - HD100	1
6997	Seal, Upper - HD100	1
7004	Spring, Brake - HD100	8
7009	Seal, Dust - HD100	1
8967	O-Ring, -231 Special	1
10695	O-Ring, -226	1
10266	O-Ring, -130	1
10696	Adapter Assembly - CB75	1
10698	Cover, Wear - CB75	1
10699	Washer, Seal, Upper - CB75	1
10700	Washer, Seal, Lower - CB75	1
10701	Washer, CB75	1
10705	O-Ring, -033	1
10706	Screw, #8-32 x .375" Flat Csk Hd.	3
10717	Housing Assy, CB75	1
10719	Bearing Assy, Nipple - CB75	1

MOUNTING HARDWARE (See previous page)

WARRANTY AND DISCLAIMER: Nelson Big Gun® Sprinklers are warranted for one year from date of original sale to be free of defective materials and workmanship when used within the working specifications for which the products were designed and under normal use and service. The manufacturer assumes no responsibility for installation, removal or unauthorized repair of defective parts. The manufacturer's liability under this warranty is limited solely to replacement or repair of defective parts and the manufacturer will not be liable for any crop or other consequential damages resulting from defects or breach of warranty. THIS WARRANTY IS EXPRESSLY IN LIEU OF ALL OTHER WARRANTIES, EXPRESS OR IMPLIED, INCLUDING THE WARRANTIES OF MERCHANTABILITY AND FITNESS FOR PARTICULAR PURPOSES AND OF ALL OTHER OBLIGATIONS OR LIABILITIES OF MANUFACTURER. No agent, employee or representative of the manufacturer has authority to waive, alter or add to the provisions of this warranty, nor to make any representations or warranty not contained herein. This product may be covered by one or more of the following U.S. Patent Nos. D297,453, 3,559,887, 3,744,720, 4,193,548, 4,669,663 and other U.S. Patents pending or corresponding issued or pending foreign patents.