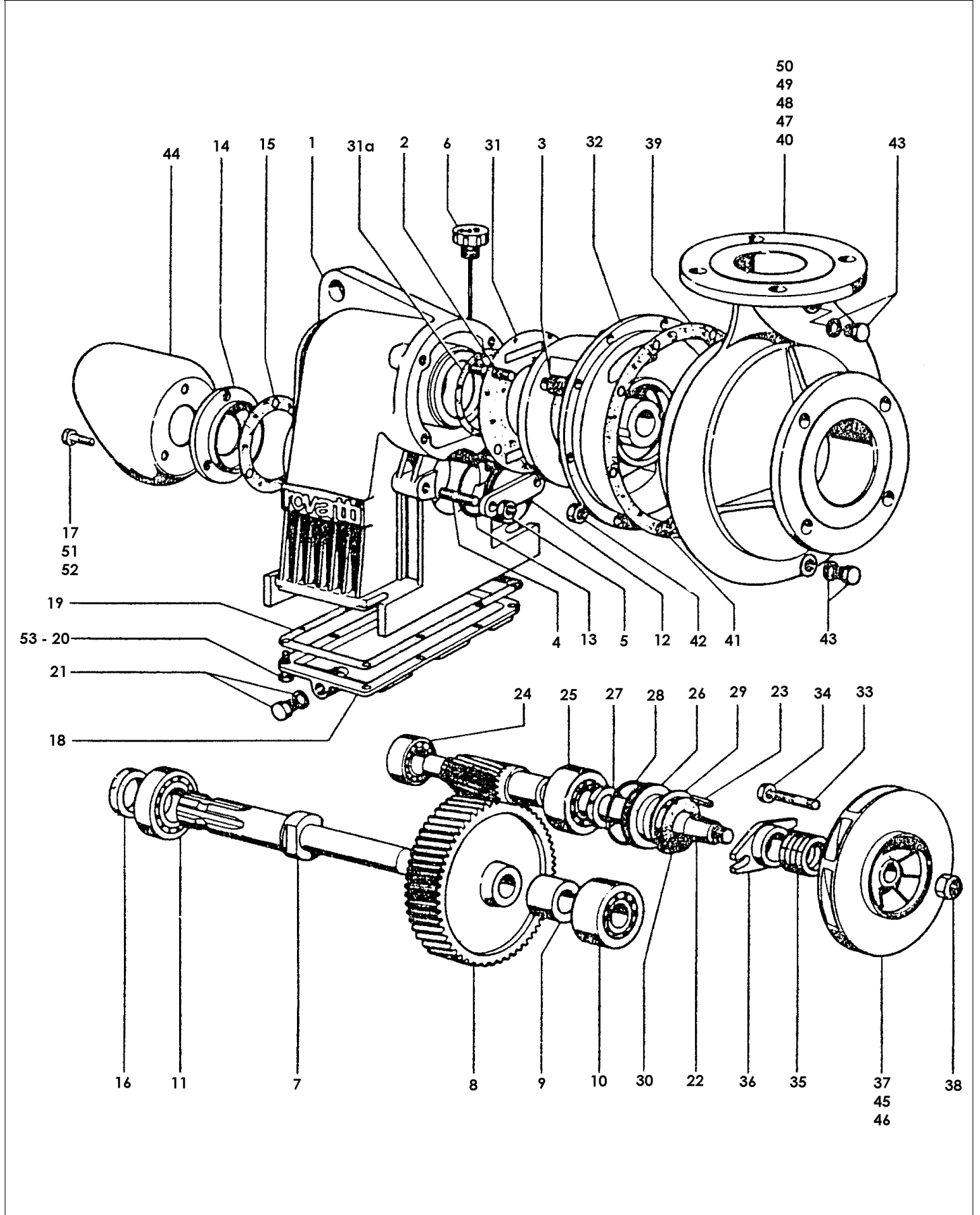


# Rovatti T3 Series Pump

Itemized Part Listing

11/2002



**Place "R!" prefix before all part numbers before placing orders**

| POS | Item Description                 | T3-80A |    | T3-100A |    |
|-----|----------------------------------|--------|----|---------|----|
|     |                                  | Part # | Q  | Part #  | Q  |
| 1   | Gearbox                          | 5153   | 1  | 5153    | 1  |
| 2   | Bolt / Stud                      | VP16   | 6  | VP16    | 6  |
| 3   | Nut / Hex M10                    | DEA12  | 6  | DEA12   | 6  |
| 4   | Bolt                             | VTE27  | 2  | VTE27   | 2  |
| 5   | Washer                           | RE12   | 2  | RE12    | 2  |
| 6   | Plug / Breather                  | 4371   | 1  | 4371    | 1  |
| 7   | Shaft / PTO                      | 5131   | 1  | 5131    | 1  |
| 8   | Gear / Transmission Z=83, R=6,92 | 5435   | 1  | 5435    | 1  |
| 8   | Gear / Transmission Z=83, R=6,38 | 5140   | 1  | 5140    | 1  |
| 8   | Gear / Transmission Z=82, R=5,85 | 5141   | 1  | 5141    | 1  |
| 8   | Gear / Transmission Z=81, R=5,4  | 5142   | 1  | 5142    | 1  |
| 8   | Gear / Transmission Z=80, R=5    | 5143   | 1  | 5143    | 1  |
| 8   | Gear / Transmission Z=75, R=3,57 | 5215   | 1  | 5215    | 1  |
| 9   | Spacer                           | 5132   | 1  | 5132    | 1  |
| 10  | Bearing *                        | CU9    | 1  | CU9     | 1  |
| 11  | Bearing *                        | CU4b   | 1  | CU4b    | 1  |
| 12  | Cover                            | 5129   | 1  | 5129    | 1  |
| 13  | O-Ring *                         | OR4    | 1  | OR4     | 1  |
| 14  | Cover                            | 5127   | 1  | 5127    | 1  |
| 15  | Gasket *                         | 5148   | 1  | 5148    | 1  |
| 16  | Seal / Oil *                     | AT10   | 1  | AT10    | 1  |
| 17  | Bolt / Hex                       | VTE2   | 3  | VTE2    | 3  |
| 18  | Cover                            | 5154   | 1  | 5154    | 1  |
| 19  | Gasket *                         | 5147   | 1  | 5147    | 1  |
| 20  | Bolt / Hex                       | VTE1   | 8  | VTE1    | 8  |
| 21  | Plug / Magnetic                  | 4470   | 1  | 4470    | 1  |
| 22  | Shaft / Pinion Z=12, R=6,92      | 5434   | 1  | 5434    | 1  |
| 22  | Shaft / Pinion Z=13, R=6,38      | 5136   | 1  | 5136    | 1  |
| 22  | Shaft / Pinion Z=14, R=5,85      | 5137   | 1  | 5137    | 1  |
| 22  | Shaft / Pinion Z=15, R=5,4       | 5138   | 1  | 5138    | 1  |
| 22  | Shaft / Pinion Z=16, R=5         | 5139   | 1  | 5139    | 1  |
| 22  | Shaft / Pinion Z=21, R=3,57      | 5214   | 1  | 5214    | 1  |
| 23  | Key                              | LI20   | 1  | LI20    | 1  |
| 24  | Bearing *                        | CU20   | 1  | CU20    | 1  |
| 25  | Bearing *                        | CU21   | 1  | CU21    | 1  |
| 26  | Cover                            | 5128   | 1  | 5128    | 1  |
| 27  | Seal / Oil *                     | AT6    | 1  | AT6     | 1  |
| 28  | O-Ring *                         | OR4    | 1  | OR4     | 1  |
| 29  | Washer / Inner spring            | AFI8   | 1  | AFI8    | 1  |
| 30  | Ring/Water Sealing               | AP3    | 1  | AP3     | 1  |
| 31  | Gasket *                         | 5149   | 1  | 5149    | 1  |
| 31a | Gasket *                         | 5464   | 1  | 5464    | 1  |
| 32  | Support / Pump                   | 5133   | 1  | 5134    | 1  |
| 33  | Stud Bolt                        | VP5    | 2  | VP5     | 2  |
| 34  | Nut                              | DEA10  | 2  | DEA10   | 2  |
| 35  | Ring / Packing *                 | 5640   | 6  | 5640    | 6  |
| 36  | Flange / Box Stuffing            | 1007   | 1  | 1007    | 1  |
| 37  | Impeller *                       | 4421   | 1  | 4419    | 1  |
| 38  | Nut / Lock                       | DA20b  | 1  | DA20b   | 1  |
| 39  | Gasket *                         | 3100   | 1  | 2861    | 1  |
| 40  | Body / Pump                      | 3102   | 1  | 2883    | 1  |
| 41  | Stud Bolt                        | VP3    | 8  | VP3     | 8  |
| 42  | Nut                              | DEA10  | 8  | DEA10   | 8  |
| 43  | Plug                             | NO19   | 2  | NO19    | 2  |
| 44  | Guard / PTO                      | 4477   | 1  | 4477    | 1  |
| 45  | Ring / Wear *                    | ****   | ** | ****    | ** |
| 47  | Plug                             | ****   | ** | ****    | ** |
| 52  | Washer                           | RB8    | 3  | RB8     | 3  |
| 53  | Washer                           | RB6    | 8  | RB6     | 8  |

NOTE: See serial plate located on pump for ratio to indicate parts needed for POS 8 and 22.

It is useful to keep a stock of fast wearing parts on hand for quick repairs. Most recommended spare parts are marked by an asterisk (\*) following part description.

**1-800-Team ABI**

Email [abigausa@att.net](mailto:abigausa@att.net)  
[www.abi-irrigation.com](http://www.abi-irrigation.com)



**AgriBusiness International, Inc**  
P.O. Box 909  
Villa Rica, Georgia 30180 USA  
Ph. 770-459-4401 Fax. 770-459-6877