


Standard Features

- Turbine driven for irrigation or wastewater.
- Turbine and gearbox assembly no belts or pulleys.
- 4-Speed gearbox for high-speed light applications.
- PTO Wind-in.
- Automatic speed compensation.
- Digital Rainstar 060 tachometer with solar panel.
- Pressure gauge
- Adjustable width galvanized cart.
- Automatic cart lifting.
- 12-foot heavy-duty rubber supply hose.
- Supply hose adapter (female bauer).
- Galvanized chassis, drum and frame.
- Hydraulically operated galvanized stabilizer legs.
- 360 degree rotation turntable.

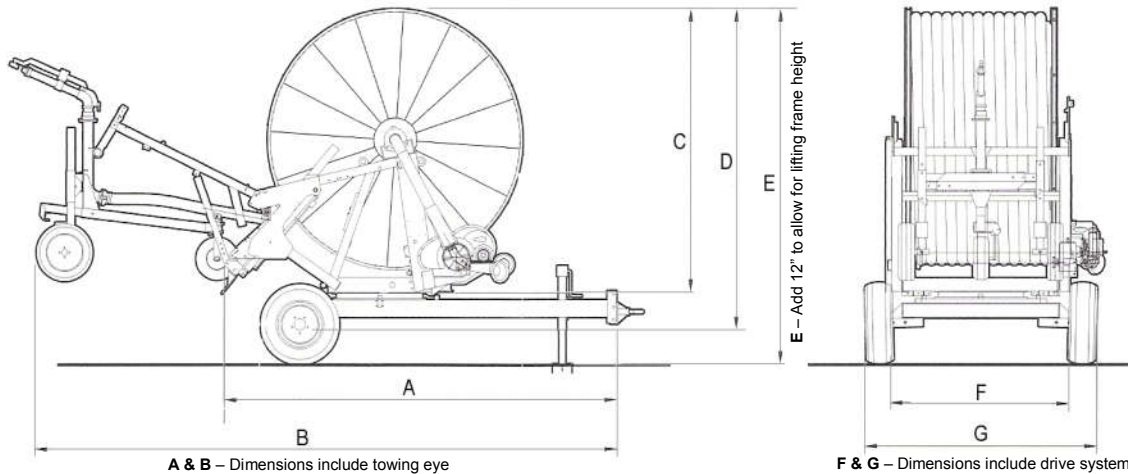
P.E. Pipe O.D.: 3.9" (100 mm)			P.E. Pipe I.D.: 3.3" (84 mm)				P.E. Pipe Length: 1150' (350 m)							
100 gx 1150							SPEED OF P.E. PIPE PULL IN FEMETERSET/HOUR							
							15	20	25	30	40	50	60	100
SPRINKLER: KOMET TWIN 140 ULTRA							SPEED OF P.E. PIPE PULL IN FEET/HOUR							
							50	65	80	100	130	165	195	325
INLET PRESSURE (PSI)	NOZZLE PRESSURE (PSI)	NOZZLE SIZE (MM)	WATER FLOW (GPM)	SPRAY RANGE (FEET)	SPACING (FEET) 85%	ACRES PER PULL	PRECIPITATION RATE IN INCHES							
72	50	22 (0.87)	151	135	240	7.0	1.2	0.9	0.7	0.6	0.5	0.4	0.3	0.2
85	60		165	145	240	7.0	1.3	1.0	0.8	0.7	0.5	0.4	0.3	0.2
98	70		178	153	240	7.1	1.5	1.1	0.9	0.7	0.6	0.4	0.3	0.2
79	50	24 (0.94)	180	141	240	7.0	1.5	1.1	0.9	0.7	0.6	0.4	0.4	0.2
89	60		197	152	270	7.9	1.4	1.1	0.9	0.7	0.6	0.5	0.4	0.2
105	70		212	160	270	8.0	1.5	1.2	1.0	0.8	0.6	0.5	0.4	0.2
85	50	26 (1.02)	212	147	270	7.9	1.5	1.2	1.0	0.8	0.6	0.5	0.4	0.2
100	60		232	159	270	8.0	1.7	1.3	1.0	0.8	0.6	0.5	0.4	0.3
115	70		251	168	270	8.0	1.7	1.2	1.0	0.8	0.6	0.5	0.4	0.3
93	50	28 (1.10)	245	153	270	7.9	1.8	1.4	1.1	0.9	0.7	0.5	0.5	0.3
109	60		268	166	300	8.9	1.7	1.3	1.0	0.8	0.6	0.5	0.4	0.3
125	70		289	176	300	8.9	1.9	1.4	1.2	0.9	0.7	0.6	0.5	0.3
104	50	30 (1.18)	281	156	300	8.8	1.8	1.4	1.1	0.9	0.7	0.6	0.5	0.4
120	60		308	171	300	8.9	2.0	1.5	1.2	1.0	0.8	0.6	0.5	0.4
140	70		332	184	300	9.0	2.2	1.7	1.3	1.1	0.8	0.6	0.5	0.4
ESTIMATED TIME FOR COMPLETE WINDING IN HOURS → → →							23.0	17.5	14.5	11.5	8.5	7.0	6.0	3.5

Performance data has been obtained under ideal test conditions and may be adversely affected by wind, poor inlet pressure conditions or other factors.

No representation regarding droplet condition, uniformity, application rate or suitability for a particular application is made herein.

Operating at lower or higher pressures than stated above may result in warranty being voided.

Acreage is based on 1-inch application, 15 hours a day, 7 days a week.



Dimensions

A	12'-6"
B	18'-0"
C	7'-7"
D	9'-7"
E	10'-7"
F	7'-3"
G	8'-0"

Empty Weight

5,000 lbs