


Standard Features

- Turbine driven for irrigation or wastewater.
- Turbine and gearbox assembly no belts or pulleys.
- 4-Speed gearbox for high-speed light applications.
- PTO Wind-in.
- Automatic speed compensation.
- Digital Rainstar 060 tachometer with solar panel.
- Pressure gauge
- Adjustable width galvanized cart.
- Automatic cart lifting.
- 12-foot heavy-duty rubber supply hose.
- Supply hose adapter (female bauer).
- Galvanized chassis, drum and frame.
- Hydraulically operated galvanized stabilizer legs.
- 360 degree rotation turntable.

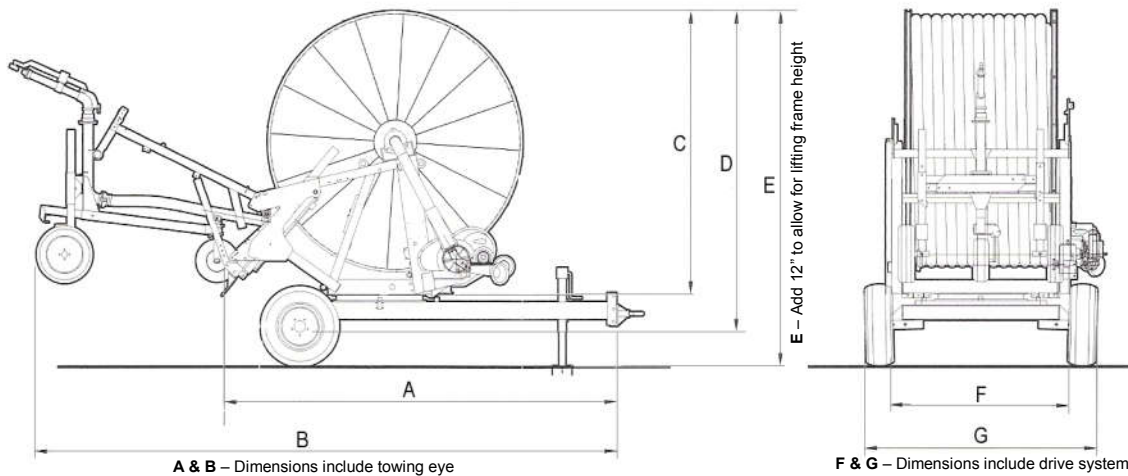
P.E. Pipe O.D.: 4.3" (110 mm)			P.E. Pipe I.D.: 3.7" (94 mm)				P.E. Pipe Length: 720' (220 m)							
110 gx 720 							SPEED OF P.E. PIPE PULL IN METERS/HOUR							
							15	20	25	30	40	50	60	100
SPRINKLER: KOMET TWIN 160 ULTRA							SPEED OF P.E. PIPE PULL IN FEET/HOUR							
							50	65	80	100	130	165	195	325
INLET PRESSURE (PSI)	NOZZLE PRESSURE (PSI)	NOZZLE SIZE (MM)	WATER FLOW (GPM)	SPRAY RANGE (FEET)	SPACING (FEET) 85%	ACRES PER PULL	PRECIPITATION RATE IN INCHES							
75	60	24 (0.94)	199	157	300	5.9	1.4	1.0	0.8	0.7	0.5	0.4	0.3	0.2
85	70		215	165	300	5.9	1.5	1.1	0.9	0.7	0.6	0.4	0.4	0.2
99	80		230	170	300	6.0	1.6	1.2	1.0	0.8	0.6	0.5	0.4	0.2
89	60	28 (1.10)	272	172	300	6.0	1.6	1.3	1.0	0.8	0.6	0.5	0.4	0.3
103	70		294	181	300	6.0	1.8	1.4	1.1	0.9	0.7	0.5	0.4	0.3
115	80		314	189	300	6.1	1.9	1.5	1.2	0.9	0.7	0.6	0.5	0.3
95	60	30 (1.18)	312	177	300	6.0	2.0	1.5	1.2	1.0	0.8	0.6	0.5	0.3
107	70		337	189	330	6.7	1.9	1.5	1.2	0.9	0.7	0.6	0.5	0.3
121	80		360	197	330	6.7	2.0	1.6	1.3	1.0	0.8	0.6	0.5	0.3
101	60	32 (1.26)	357	182	330	6.6	2.1	1.6	1.3	1.0	0.8	0.6	0.5	0.3
117	70		386	196	330	6.7	2.2	1.7	1.4	1.1	0.9	0.7	0.6	0.3
132	80		412	205	330	6.8	2.4	1.9	1.5	1.2	0.9	0.7	0.6	0.4
112	60	34 (1.34)	400	189	330	6.7	2.4	1.9	1.5	1.2	0.9	0.7	0.6	0.4
124	70		433	203	360	7.3	2.2	1.7	1.4	1.1	0.8	0.7	0.6	0.4
142	80		462	212	360	7.4	2.6	2.0	1.6	1.3	1.0	0.8	0.7	0.4
ESTIMATED TIME FOR COMPLETE WINDING IN HOURS → → →							14.5	11.0	9.0	7.0	5.5	4.5	3.5	2.0

Performance data has been obtained under ideal test conditions and may be adversely affected by wind, poor inlet pressure conditions or other factors.

No representation regarding droplet condition, uniformity, application rate or suitability for a particular application is made herein.

Operating at lower or higher pressures than stated above may result in warranty being voided.

Acreage is based on 1-inch application, 15 hours a day, 7 days a week.



Dimensions

A	12'-6"
B	18'-0"
C	7'-7"
D	9'-7"
E	10'-7"
F	7'-3"
G	8'-0"

Empty Weight

5,000 lbs