

Standard Features

- Turbine driven for irrigation or wastewater.
- Turbine and gearbox assembly with belts or pulleys.
- Gearbox for high-speed light applications.
- PTO Wind-in.
- Automatic speed compensation.
- Digital VDO tachometer read out.
- Pressure gauge
- Adjustable width galvanized cart.
- Manual cart lifting.
- 12-foot heavy-duty rubber supply hose.
- Supply hose adapter 2" female bauer x 2" MNPT.
- Galvanized chassis and frame.
- Mechanical operated galvanized stabilizer legs.
- 360 degree rotation turntable.

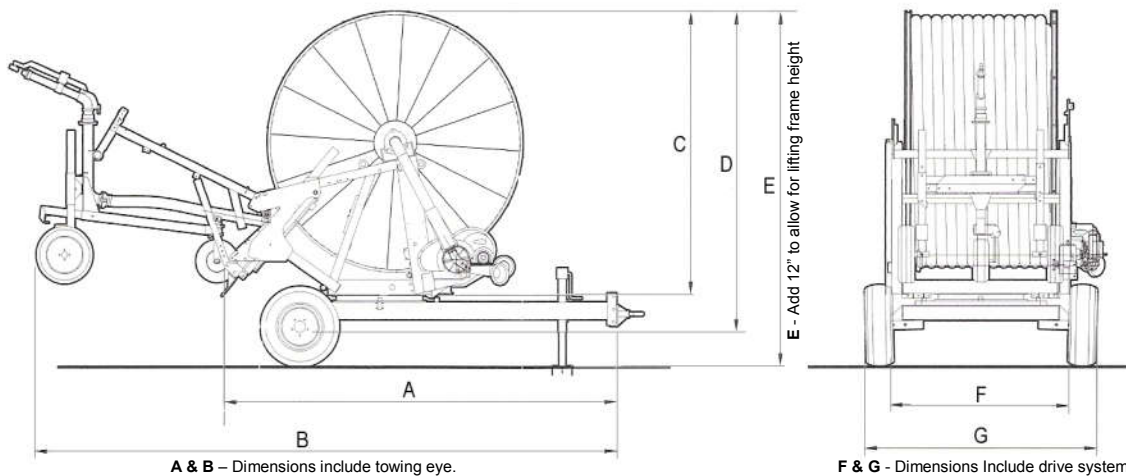
P.E. Pipe O.D.: 2.5" (63 mm)			P.E. Pipe I.D.: 2.1" (53 mm)				P.E. Pipe Length: 620' (190 m)								
63 gx 620							SPEED OF P.E. PIPE PULL IN METERS/HOUR								
							15	20	25	30	40	50	60	100	
SPRINKLER: KOMET TWIN 101 ULTRA							SPEED OF P.E. PIPE PULL IN FEET/HOUR								
							50	65	80	100	130	165	195	325	
INLET PRESSURE (PSI)	NOZZLE PRESSURE (PSI)	NOZZLE SIZE (MM)	WATER FLOW (GPM)	SPRAY RANGE (FEET)	SPACING (FEET) 85%	ACRES PER PULL	PRECIPITATION RATE IN INCHES								
68	50	12 (0.47)	45	106	180	2.9	0.5	0.4	0.3	0.3	0.2	0.2	0.1	0.1	
80	60		50	109	180	2.9	0.5	0.4	0.3	0.3	0.2	0.2	0.1	0.1	
90	70		54	114	180	3.0	0.6	0.4	0.4	0.3	0.2	0.2	0.1	0.1	
72	50	14 (0.55)	62	112	180	2.9	0.7	0.5	0.4	0.3	0.3	0.2	0.2	0.1	
84	60		67	117	180	3.0	0.7	0.5	0.4	0.4	0.3	0.2	0.2	0.1	
98	70		73	121	180	3.0	0.8	0.6	0.4	0.4	0.3	0.2	0.2	0.1	
82	50	16 (0.63)	80	118	180	3.0	0.9	0.7	0.6	0.4	0.3	0.3	0.2	0.1	
97	60		87	123	210	3.5	0.9	0.7	0.6	0.4	0.3	0.3	0.2	0.1	
111	70		94	129	210	3.5	1.0	0.8	0.6	0.5	0.4	0.3	0.2	0.1	
95	50	18 (0.71)	101	123	210	3.5	1.1	0.8	0.7	0.5	0.4	0.3	0.3	0.1	
110	60		111	131	210	3.5	1.1	0.8	0.7	0.5	0.4	0.3	0.3	0.2	
126	70		119	137	210	3.5	1.2	0.9	0.7	0.6	0.4	0.3	0.3	0.2	
110	50	20 (0.79)	125	129	210	3.5	1.3	1.0	0.8	0.6	0.5	0.4	0.3	0.2	
125	60		137	138	240	4.0	1.3	1.0	0.8	0.6	0.5	0.4	0.3	0.2	
140	70		148	145	240	4.1	1.3	1.0	0.8	0.6	0.5	0.4	0.3	0.2	
ESTIMATED TIME FOR COMPLETE WINDING IN HOURS → → →							12.5	9.5	7.5	6.0	4.5	3.5	3.0	2.0	

Performance data has been obtained under ideal test conditions and may be adversely affected by wind, poor inlet pressure conditions or other factors.

No representation regarding droplet condition, uniformity, application rate or suitability for a particular application is made herein.

Operating at lower or higher pressures than stated above may result in warranty being voided.

Acreage is based on 1-inch application, 15 hours a day, 7 days a week.



A & B – Dimensions include towing eye.

F & G - Dimensions Include drive system

Dimensions

A	8'-6"
B	12'-6"
C	4'-8"
D	5'-6"
E	6'-0"
F	4'-6"
G	5'-0"

Empty Weight

1,500 lbs