


## Standard Features

- Turbine driven for irrigation or wastewater.
- Turbine and gearbox assembly no belts or pulleys.
- 4-Speed gearbox for high-speed light applications.
- PTO Wind-in.
- Automatic speed compensation.
- Digital Rainstar 060 tachometer with solar panel.
- Pressure gauge
- Adjustable width galvanized cart.
- Automatic cart lifting.
- 12-foot heavy-duty rubber supply hose.
- Supply hose adapter (female bauer).
- Galvanized chassis, drum and frame.
- Hydraulically operated galvanized stabilizer legs.
- 360 degree rotation turntable.

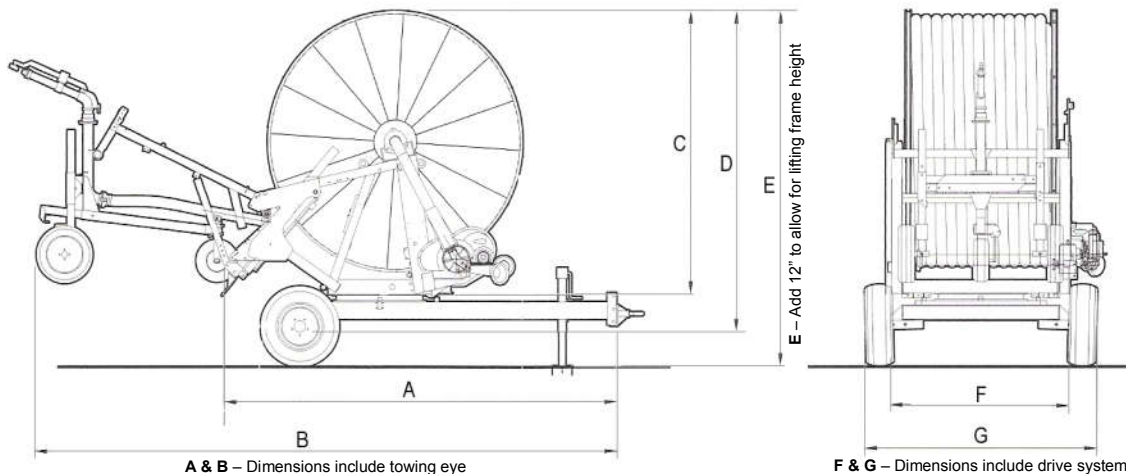
P.E. Pipe O.D.: 3.5" (90 mm)			P.E. Pipe I.D.: 3.0" (76 mm)				P.E. Pipe Length: 1150' (350 m)							
<b>90 gx 1150</b> 							SPEED OF P.E. PIPE PULL IN FEET/HOURETERS							
							15	20	25	30	40	50	60	100
SPRINKLER: KOMET TWIN 140 ULTRA							SPEED OF P.E. PIPE PULL IN FEET/HOUR							
							50	65	80	100	130	165	195	325
INLET PRESSURE (PSI)	NOZZLE PRESSURE (PSI)	NOZZLE SIZE (MM)	WATER FLOW (GPM)	SPRAY RANGE (FEET)	SPACING (FEET) 85%	ACRES PER PULL	PRECIPITATION RATE IN INCHES							
73	50	20 (0.79)	125	130	210	6.0	1.1	0.9	0.7	0.6	0.4	0.3	0.3	0.2
89	60		137	139	240	6.9	1.1	0.9	0.7	0.6	0.4	0.3	0.3	0.2
104	70		148	146	240	7.0	1.2	0.9	0.7	0.6	0.6	0.5	0.3	0.2
86	50	22 (0.87)	151	135	240	7.0	1.2	0.9	0.7	0.6	0.5	0.4	0.3	0.2
99	60		165	145	240	7.0	1.3	1.0	0.8	0.7	0.5	0.4	0.3	0.2
115	70		178	153	240	7.0	1.5	1.1	0.9	0.7	0.6	0.4	0.3	0.2
98	50	24 (0.94)	180	141	240	7.0	1.5	1.1	0.9	0.7	0.6	0.4	0.4	0.2
115	60		197	152	270	7.9	1.4	1.1	0.9	0.7	0.6	0.5	0.4	0.2
132	70		212	160	270	8.0	1.5	1.2	1.0	0.8	0.6	0.5	0.4	0.2
112	50	26 (1.02)	212	147	270	7.9	1.5	1.2	1.0	0.8	0.6	0.5	0.4	0.2
129	60		232	159	270	8.0	1.7	1.3	1.0	0.8	0.6	0.5	0.4	0.3
150	70		251	168	270	8.0	1.7	1.2	1.0	0.8	0.6	0.5	0.4	0.3
127	50	28 (1.10)	245	153	270	7.9	1.8	1.4	1.1	0.9	0.7	0.5	0.5	0.3
148	60		268	166	300	8.8	1.7	1.3	1.0	0.8	0.6	0.5	0.4	0.3
ESTIMATED TIME FOR COMPLETE WINDING IN HOURS → → →							23.0	17.5	14.5	11.5	8.5	7.0	6.0	3.5

Performance data has been obtained under ideal test conditions and may be adversely affected by wind, poor inlet pressure conditions or other factors.

No representation regarding droplet condition, uniformity, application rate or suitability for a particular application is made herein.

Operating at lower or higher pressures than stated above may result in warranty being voided.

Acreage is based on 1-inch application, 15 hours a day, 7 days a week.



Dimensions	
A	12'-6"
B	18'-0"
C	7'-7"
D	9'-7"
E	10'-7"
F	7'-3"
G	8'-0"
Empty Weight	
5,000 lbs	