

## Standard Features

- Turbine driven for irrigation or wastewater.
- Turbine and gearbox assembly no belts or pulleys.
- 4-Speed gearbox for high-speed light applications.
- PTO Wind-in.
- Automatic speed compensation.
- Digital Rainstar 060 tachometer with solar panel.
- Pressure gauge
- Adjustable width galvanized cart.
- Automatic cart lifting.
- 12-foot heavy-duty rubber supply hose.
- Supply hose adapter (female bauer).
- Galvanized chassis, drum and frame.
- Hydraulically operated galvanized stabilizer legs.
- 360 degree rotation turntable.

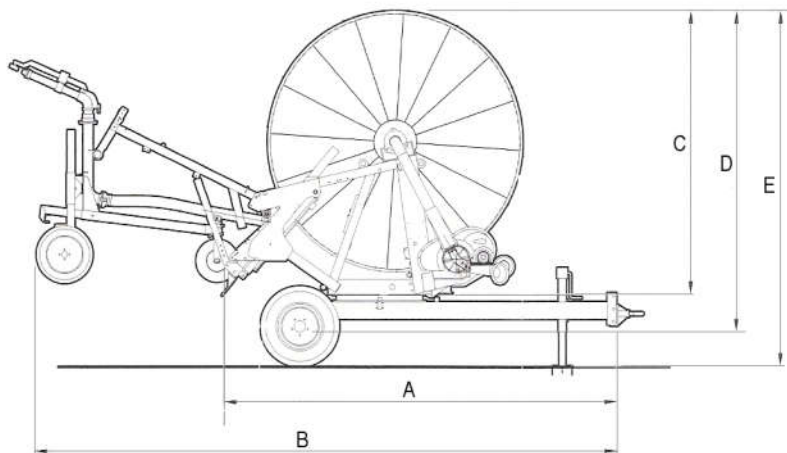
| P.E. Pipe O.D.: 3.5" (90 mm)                       |                       |                  | P.E. Pipe I.D.: 3.0" (76 mm) |                    |                    |                | P.E. Pipe Length: 985' (300 m)         |      |      |      |     |     |     |     |
|--|-----------------------|------------------|------------------------------|--------------------|--------------------|----------------|--|------|------|------|-----|-----|-----|-----|
| 90 gx 985  |                       |                  |                              |                    |                    |                | SPEED OF P.E. PIPE PULL IN METERS/HOUR |      |      |      |     |     |     |     |
|  |                       |                  |                              |                    |                    |                | 15                                     | 20   | 25   | 30   | 40  | 50  | 60  | 100 |
| SPRINKLER: KOMET TWIN 140 ULTRA                    |                       |                  |                              |                    |                    |                | SPEED OF P.E. PIPE PULL IN FEET/HOUR   |      |      |      |     |     |     |     |
|  |                       |                  |                              |                    |                    |                | 50                                     | 65   | 80   | 100  | 130 | 165 | 195 | 325 |
| INLET PRESSURE (PSI)                               | NOZZLE PRESSURE (PSI) | NOZZLE SIZE (MM) | WATER FLOW (GPM)             | SPRAY RANGE (FEET) | SPACING (FEET) 85% | ACRES PER PULL | PRECIPITATION RATE IN INCHES           |      |      |      |     |     |     |     |
| 70   | 50                    | 20<br>(0.79)     | 125                          | 130                | 210                | 5.3            | 1.1                                    | 0.9  | 0.7  | 0.6  | 0.4 | 0.3 | 0.3 | 0.2 |
| 85   | 60                    |                  | 137                          | 139                | 240                | 6.0            | 1.1                                    | 0.9  | 0.7  | 0.6  | 0.4 | 0.3 | 0.3 | 0.2 |
| 100  | 70                    |                  | 148                          | 146                | 240                | 6.1            | 1.2                                    | 0.9  | 0.7  | 0.6  | 0.6 | 0.5 | 0.3 | 0.2 |
| 81   | 50                    | 22<br>(0.87)     | 151                          | 135                | 240                | 6.0            | 1.2                                    | 0.9  | 0.7  | 0.6  | 0.5 | 0.4 | 0.3 | 0.2 |
| 96   | 60                    |                  | 165                          | 145                | 240                | 6.1            | 1.3                                    | 1.0  | 0.8  | 0.7  | 0.5 | 0.4 | 0.3 | 0.2 |
| 110  | 70                    |                  | 178                          | 153                | 240                | 6.1            | 1.5                                    | 1.1  | 0.9  | 0.7  | 0.6 | 0.4 | 0.3 | 0.2 |
| 92   | 50                    | 24<br>(0.94)     | 180                          | 141                | 240                | 6.1            | 1.5                                    | 1.1  | 0.9  | 0.7  | 0.6 | 0.4 | 0.4 | 0.2 |
| 108  | 60                    |                  | 197                          | 152                | 270                | 6.9            | 1.4                                    | 1.1  | 0.9  | 0.7  | 0.6 | 0.5 | 0.4 | 0.2 |
| 124  | 70                    |                  | 212                          | 160                | 270                | 6.9            | 1.5                                    | 1.2  | 1.0  | 0.8  | 0.6 | 0.5 | 0.4 | 0.2 |
| 104  | 50                    | 26<br>(1.02)     | 212                          | 147                | 270                | 6.9            | 1.5                                    | 1.2  | 1.0  | 0.8  | 0.6 | 0.5 | 0.4 | 0.2 |
| 121  | 60                    |                  | 232                          | 159                | 270                | 6.9            | 1.7                                    | 1.3  | 1.0  | 0.8  | 0.6 | 0.5 | 0.4 | 0.3 |
| 139  | 70                    |                  | 251                          | 168                | 270                | 7.0            | 1.7                                    | 1.2  | 1.0  | 0.8  | 0.6 | 0.5 | 0.4 | 0.3 |
| 117  | 50                    | 28<br>(1.10)     | 245                          | 153                | 270                | 6.9            | 1.8                                    | 1.4  | 1.1  | 0.9  | 0.7 | 0.5 | 0.5 | 0.3 |
| 137  | 60                    |                  | 268                          | 166                | 300                | 7.7            | 1.7                                    | 1.3  | 1.0  | 0.8  | 0.6 | 0.5 | 0.4 | 0.3 |
| 158  | 70                    |                  | 289                          | 176                | 300                | 7.8            | 1.9                                    | 1.4  | 1.2  | 0.9  | 0.7 | 0.6 | 0.5 | 0.3 |
| ESTIMATED TIME FOR COMPLETE WINDING IN HOURS → → → |                       |                  |                              |                    |                    |                | 19.5                                   | 15.0 | 12.0 | 10.0 | 7.5 | 6.0 | 5.0 | 3.0 |

Performance data has been obtained under ideal test conditions and may be adversely affected by wind, poor inlet pressure conditions or other factors.

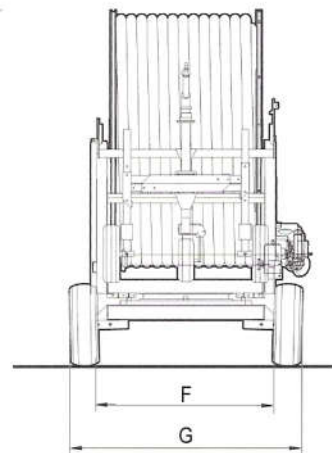
No representation regarding droplet condition, uniformity, application rate or suitability for a particular application is made herein.

Operating at lower or higher pressures than stated above may result in warranty being voided.

Acreage is based on 1-inch application, 15 hours a day, 7 days a week.



A & B – Dimensions include towing eye



F & G – Dimensions include drive system

### Dimensions

|   |        |
|---|--------|
| A | 11'-8" |
| B | 16'-6" |
| C | 6'-10" |
| D | 7'-10" |
| E | 8'-10" |
| F | 7'-8"  |
| G | 7'-8"  |

### Empty Weight

3,800 lbs