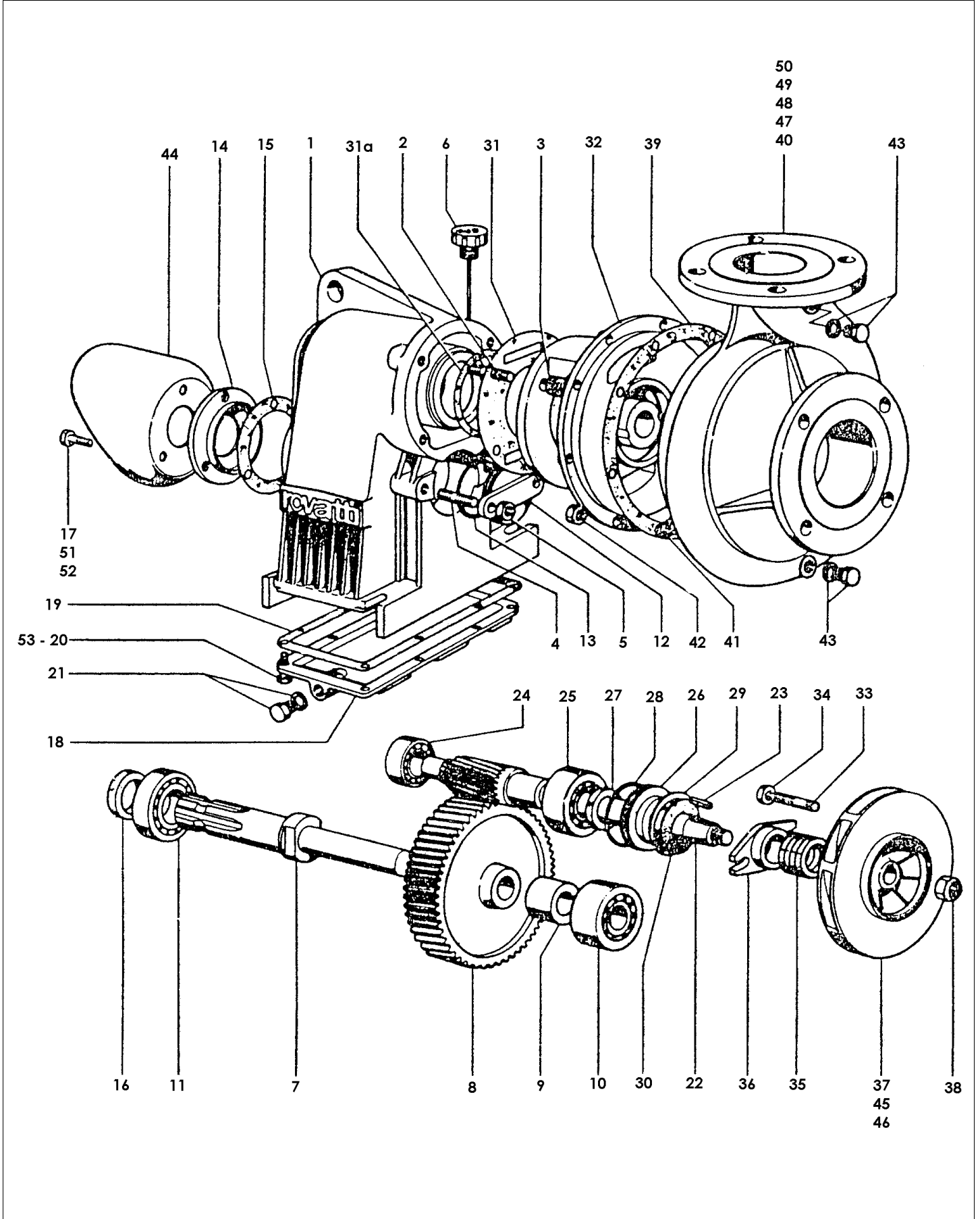


Rovatti T-1 Series Pump

Itemized Part Listing

11/2002



Place "RI" prefix before all part numbers before placing orders.

POS	Item Description	T1-40		T1-50		T1-65A	
		Part #	Q	Part #	Q	Part #	Q
1	Gearbox	4129	1	4129	1	4129	1
2	Bolt / Stud	VP3	4	VP3	4	VP3	4
3	Nut / Hex M10	DEA10	4	DEA10	4	DEA10	4
4	Bolt	VP3	2	VP3	2	VP3	2
5	Washer	DEA10	2	DEA10	2	DEA10	2
6	Plug / Breather	4371	1	4371	1	4371	1
7	Shaft / PTO	4161	1	4161	1	4161	1
8	Gear / Transmission Z=91, R=7.58	5454	1	5454	1	5454	1
8	Gear / Transmission Z=91, R=7	4156	1	4156	1	4156	1
8	Gear / Transmission Z=90, R=6.43	4158	1	4158	1	4158	1
8	Gear / Transmission Z=89, R=5.93	4157	1	4157	1	4157	1
8	Gear / Transmission Z=88, R=5.5	4159	1	4159	1	4159	1
8	Gear / Transmission Z=87, R=5.1	4160	1	4160	1	4160	1
9	Spacer	4153	1	4153	1	4153	1
10	Bearing *	CU36	1	CU36	1	CU36	1
11	Bearing *	CU4	1	CU4	1	CU4	1
12	Cover	4181	1	4181	1	4181	1
13	O-Ring *	OR1	1	OR1	1	OR1	1
14	Cover	4379	1	4379	1	4379	1
15	Gasket *	4378	1	4378	1	4378	1
16	Seal / Oil *	AT7	1	AT7	1	AT7	1
17	Bolt / Hex	VTE2	3	VTE2	3	VTE2	3
18	Cover	4155	1	4155	1	4155	1
19	Gasket *	4152	1	4152	1	4152	1
20	Bolt / Hex	VTE1	8	VTE1	8	VTE1	8
21	Plug / Magnetic	4470	1	4470	1	4470	1
22	Shaft / Pinion Z=12, R=7.58	5455	1	5455	1	5455	1
22	Shaft / Pinion Z=13, R=7	4163	1	4163	1	4163	1
22	Shaft / Pinion Z=14, R=6.43	4164	1	4164	1	4164	1
22	Shaft / Pinion Z=15, R=5.93	4165	1	4165	1	4165	1
22	Shaft / Pinion Z=16, R=5.5	4162	1	4162	1	4162	1
22	Shaft / Pinion Z=17, R=5.1	4166	1	4166	1	4166	1
23	Key	LI2	1	LI2	1	LI2	1
24	Bearing *	CU18	1	CU18	1	CU18	1
25	Bearing *	CU19	1	CU19	1	CU19	1
26	Cover	4175	1	4175	1	4175	1
27	Seal / Oil *	AT16	1	AT16	1	AT16	1
28	O-Ring *	OR2	1	OR2	1	OR2	1
29	Washer / Inner spring	AFI6	1	AFI6	1	AFI6	1
30	Ring/Water Sealing	AP1	1	AP1	1	AP1	1
31	Gasket *	4154	1	4154	1	4154	1
31a	Gasket *	2212	1	2212	1	2212	1
32	Support / Pump	5422	1	6459	1	4167	1
33	Stud Bolt	VP2	2	VP2	2	VP2	2
34	Nut	DEA8	2	DEA8	2	DEA8	2
35	Ring / Packing *	5638	6	5638	6	5638	6
36	Flange / Box Stuffing	1750	1	1750	1	1750	1
37	Impeller	6845	1	6457	1	3023	1
38	Nut / Lock	DA14b	1	DA14b	1	DA14b	1
39	Gasket *	4444	1	4444	1	2909	1
40	Body / Pump	4440	1	4651	1	2912	1
41	Stud Bolt	VP4	6	VP4	6	VP1	6
42	Nut	DEA10	6	DEA10	6	DEA8	6
43	Plug	NO19	1	NO19	2	NO19	2
44	Guard / PTO	4477	1	4477	1	4477	1
45	Ring / Wear *	5880	1	****		****	
47	Plug	NO9	1	NO9	1	****	
52	Washer	RB8	3	RB8	3	RB8	3
53	Washer	RB6	8	RB6	8	RB6	8

NOTE: See serial plate located on pump for ratio to indicate parts needed for POS 8 and 22.

It is useful to keep a stock of fast wearing parts on hand for quick repairs. Most recommended spare parts are marked by an asterisk (*) following part description.

1-800-Team ABI



Email abigausa@att.net
www.abi-irrigation.com



AgriBusiness International, Inc
P.O. Box 909
Villa Rica, Georgia 30180 USA
Ph. 770-459-4401 Fx. 770-459-6877