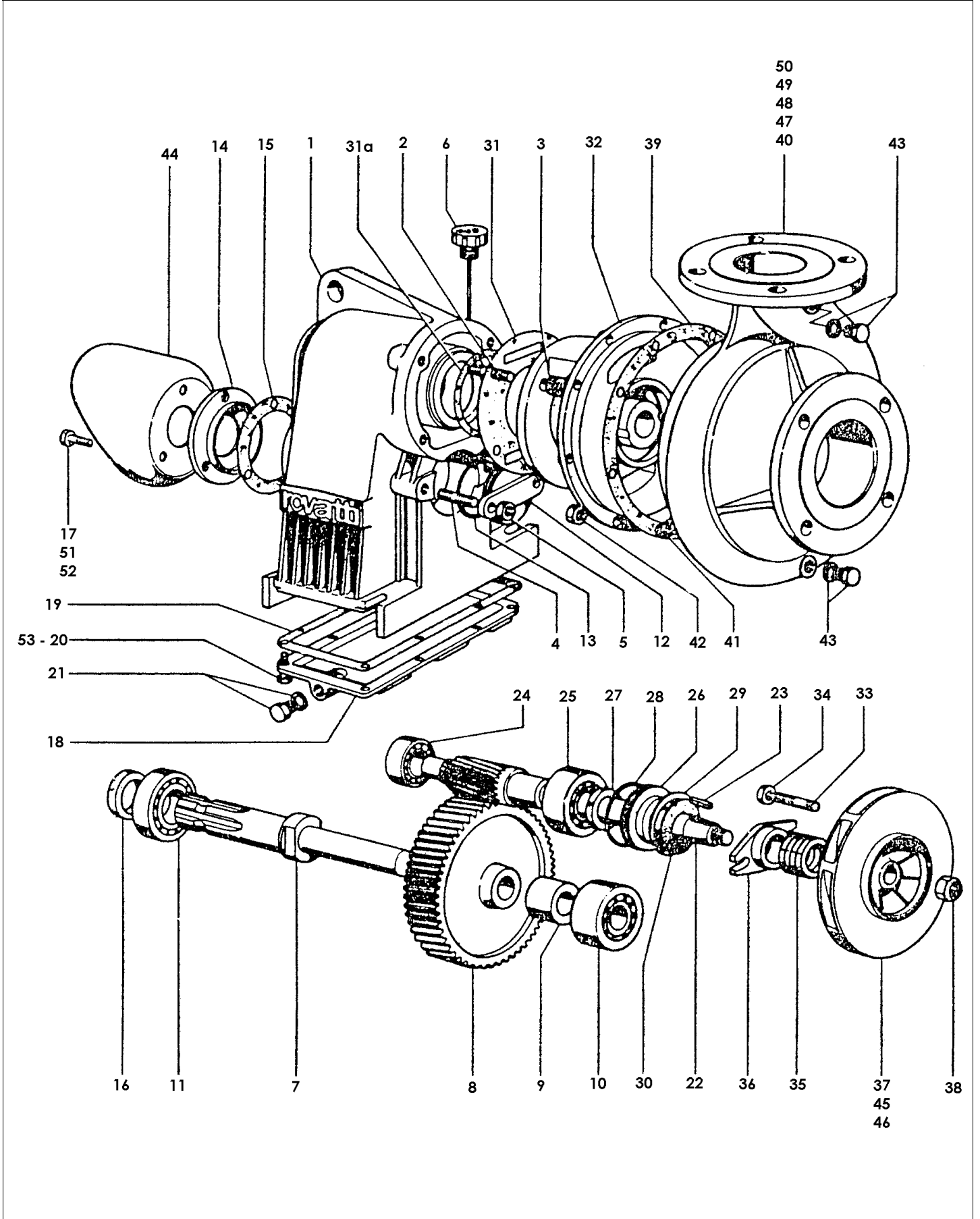


Rovatti T-2 Series Pump

Itemized Part Listing

11/2002



Place "RI" prefix before all part numbers before placing orders.

POS	Item Description	T2-40		T2-50		T2-65		T2-80		T2-85	
		Part #	Q	Part #	Q	Part #	Q	Part #	Q	Part #	Q
1	Gearbox	4106	1	4106	1	4106	1	4106	1	4106	1
2	Bolt / Stud	VP16	4	VP16	4	VP16	4	VP16	4	VP16	4
3	Nut / Hex M10	DEA12	4	DEA12	4	DEA12	4	DEA12	4	DEA12	4
4	Bolt	VTE27	2	VTE27	2	VTE27	2	VTE27	2	VTE27	2
5	Washer	RE12	2	RE12	2	RE12	2	RE12	2	RE12	2
6	Plug / Breather	4371	1	4371	1	4371	1	4371	1	4371	1
7	Shaft / PTO	4115	1	4115	1	4115	1	4115	1	4115	1
8	Gear / Transmission Z=91, R=7.58	5437	1	5437	1	5437	1	5437	1	5437	1
8	Gear / Transmission Z=91, R=7	4117	1	4117	1	4117	1	4117	1	4117	1
8	Gear / Transmission Z=90, R=6.43	4715	1	4715	1	4715	1	4715	1	4715	1
8	Gear / Transmission Z=89, R=5.93	4714	1	4714	1	4714	1	4714	1	4714	1
8	Gear / Transmission Z=88, R=5.5	4713	1	4713	1	4713	1	4713	1	4713	1
8	Gear / Transmission Z=87, R=5.1	4712	1	4712	1	4712	1	4712	1	4712	1
9	Spacer	4116	1	4116	1	4116	1	4116	1	4116	1
10	Bearing *	CU16	1	CU16	1	CU16	1	CU16	1	CU16	1
11	Bearing *	CU4	1	CU4	1	CU4	1	CU4	1	CU4	1
12	Cover	4703	1	4703	1	4703	1	4703	1	4703	1
13	O-Ring *	OR2	1	OR2	1	OR2	1	OR2	1	OR2	1
14	Cover	4379	1	4379	1	4379	1	4379	1	4379	1
15	Gasket *	4378	1	4378	1	4378	1	4378	1	4378	1
16	Seal / Oil *	AT7	1	AT7	1	AT7	1	AT7	1	AT7	1
17	Bolt / Hex	VTE2	3	VTE2	3	VTE2	3	VTE2	3	VTE2	3
18	Cover	4111	1	4111	1	4111	1	4111	1	4111	1
19	Gasket *	4723	1	4723	1	4723	1	4723	1	4723	1
20	Bolt / Hex	VTE1	8	VTE1	8	VTE1	8	VTE1	8	VTE1	8
21	Plug / Magnetic	4470	1	4470	1	4470	1	4470	1	4470	1
22	Shaft / Pinion Z=12, R=7.58	5436	1	5436	1	5436	1	5436	1	5436	1
22	Shaft / Pinion Z=13, R=7	4118	1	4118	1	4118	1	4118	1	4118	1
22	Shaft / Pinion Z=14, R=6.43	4722	1	4722	1	4722	1	4722	1	4722	1
22	Shaft / Pinion Z=15, R=5.93	4721	1	4721	1	4721	1	4721	1	4721	1
22	Shaft / Pinion Z=16, R=5.5	4720	1	4720	1	4720	1	4720	1	4720	1
22	Shaft / Pinion Z=17, R=5.1	4719	1	4719	1	4719	1	4719	1	4719	1
23	Key	LI20	1	LI20	1	LI20	1	LI20	1	LI20	1
24	Bearing *	CU18	1	CU18	1	CU18	1	CU18	1	CU18	1
25	Bearing *	CU20	1	CU20	1	CU20	1	CU20	1	CU20	1
26	Cover	4113	1	4113	1	4113	1	4113	1	4113	1
27	Seal / Oil *	AT2	1	AT2	1	AT2	1	AT2	1	AT2	1
28	O-Ring *	OR3	1	OR3	1	OR3	1	OR3	1	OR3	1
29	Washer / Inner spring	AFI7	1	AFI7	1	AFI7	1	AFI7	1	AFI7	1
30	Ring/Water Sealing	AP2	1	AP2	1	AP2	1	AP2	1	AP2	1
31	Gasket *	4168	1	4168	1	4168	1	4168	1	4168	1
31a	Gasket *	5734	1	5734	1	5734	1	5734	1	5734	1
32	Support / Pump	5462	1	5469	1	4725	1	4119	1	4726	1
33	Stud Bolt	VP2	2	VP2	2	VP2	2	VP2	2	VP2	2
34	Nut	DEA8	2	DEA8	2	DEA8	8	DEA8	2	DEA8	2
35	Ring / Packing *	5639	5	5639	5	5639	5	5639	5	5639	5
36	Flange / Box Stuffing	2018	1	2018	1	2018	1	2018	1	2018	1
37	Impeller *	5463	1	5470	1	2899	1	2826	1	3854	1
38	Nut / Lock	DA16b	1	DA16b	1	DA16b	1	DA16b	1	DA16b	1
39	Gasket *	2510	1	4444	1	3026	1	2785	1	3855	1
40	Body / Pump	4894	1	4651	1	2931	1	2788	1	3852	1
41	Stud Bolt	VP4	8	VP4	6	VP1	8	VP3	6	VP3	8
42	Nut	DEA10	8	DEA10	6	DEA8	8	DEA10	6	DEA10	8
43	Plug	NO19	2	NO19	2	NO19	2	NO19	2	NO19	2
44	Guard / PTO	4477	1	4477	1	4477	1	4477	1	4477	1
45	Ring / Wear *	****		****		****		****		****	
47	Plug	NO9	1	NO9	1	****		****		****	
52	Washer	RB8	3	RB8	3	RB8	3	RB8	3	RB8	3
53	Washer	RB6	8	RB6	8	RB6	8	RB6	8	RB6	8

NOTE: See serial plate located on pump for ratio to indicate parts needed for POS 8 and 22.

It is useful to keep a stock of fast wearing parts on hand for quick repairs. Most recommended spare parts are marked by an asterisk (*) following part description.

1-800-Team ABI



Email abigausa@att.net
www.abi-irrigation.com



AgriBusiness International, Inc
P.O. Box 909
Villa Rica, Georgia 30180 USA
Ph. 770-459-4401 Fax. 770-459-6877