

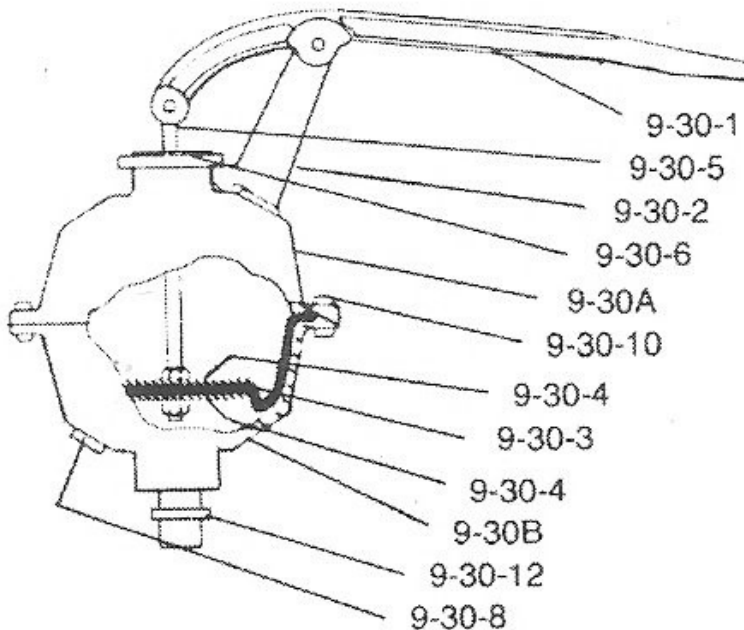
WadeRain 9-30 Hand Primer



THE WADE RAIN 9-30 HAND PRIMER

is designed to evacuate air from your centrifugal pump and suction lines up to 4" in diameter. The 9-30 volume per stroke is approximately 1/3 gallon. Manufactured of cast aluminum for long life and has horizontal pump handle with rubber diaphragm and check valve to allow for single direction of flow. Made in the USA

WadeRain 9-30 Hand Primer Parts



PART NUMBER	DESCRIPTION
WP9-30A	Body/Top Half
WP9-30B	Body/Lower Half
WP9-30-1	Handle
WP9-30-2	Handle Support
WP9-30-3	Rubber Diaphragm
WP9-30-4	Steel Diaphragm Plate
WP9-30-5	Connecting Rod & Nut
WP9-30-6	Handle Bracket Nut
WP9-30-8	Rubber Discharge Valve
WP9-30-12	Check Valve w/Ball



AgriBusiness International, Inc.
70 Grady Knight Industrial Court
Villa Rica, Georgia 30180

Ph: 770-459-4401
Fax: 770-459-6877